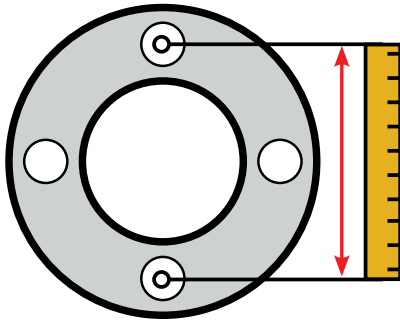


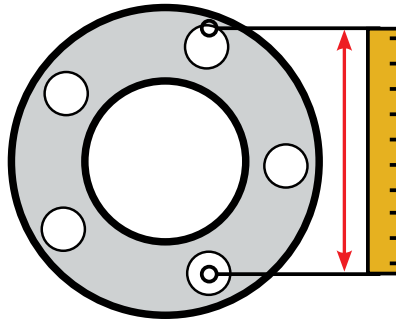
Wheel Bolt Pattern (PCD)

How to Measure



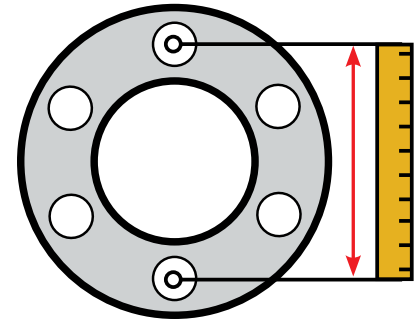
4-LUG

Measure from the middle of any two bolt holes directly across from each other.



5-LUG

Choose two non-adjacent bolt holes. Measure from back of first hole to center of second hole.



6-LUG

Measure from the middle of any two bolt holes directly across from each other



1-800-345-4545 jeps.com