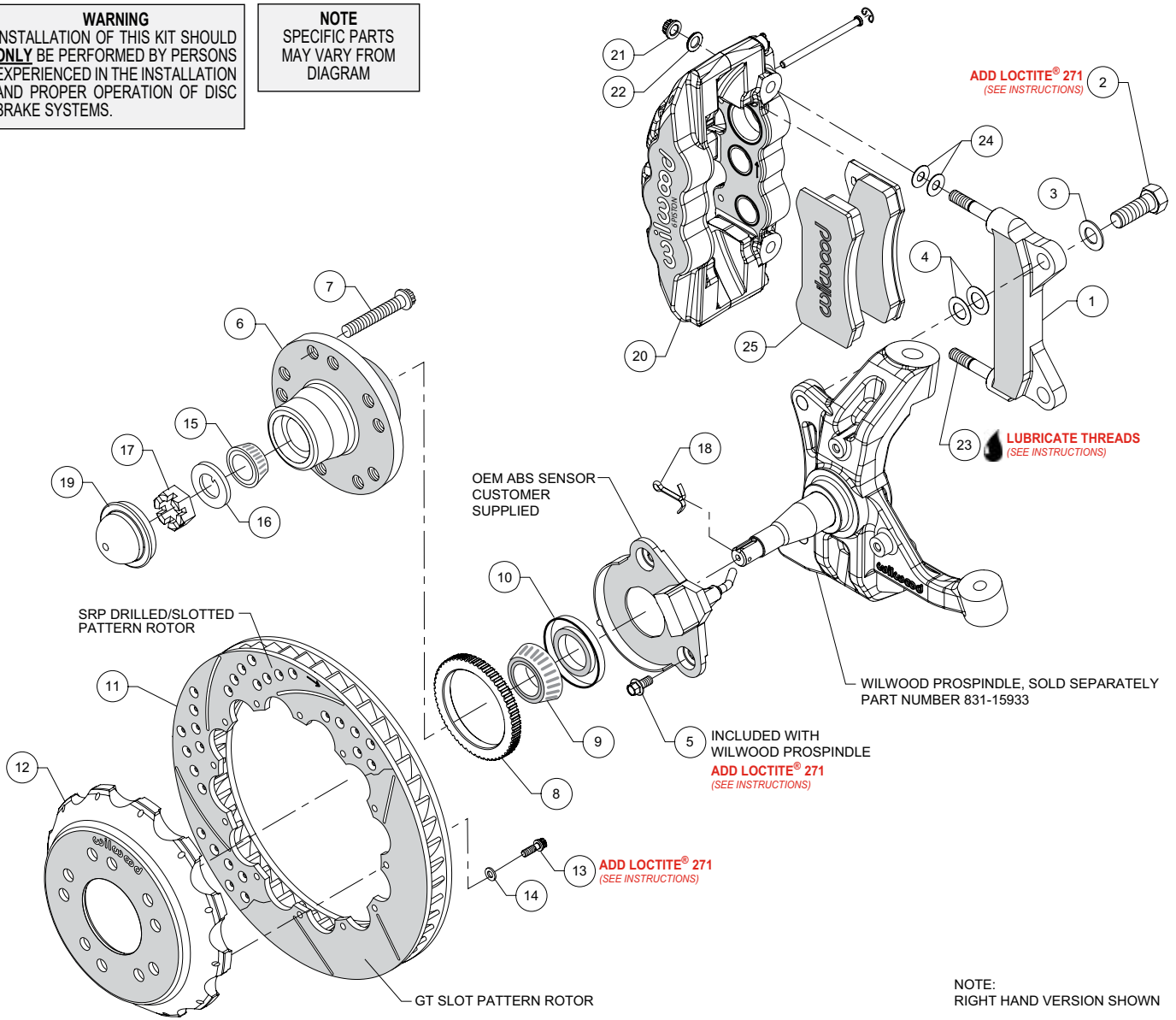


Exploded Assembly Diagram

WARNING
 INSTALLATION OF THIS KIT SHOULD **ONLY** BE PERFORMED BY PERSONS EXPERIENCED IN THE INSTALLATION AND PROPER OPERATION OF DISC BRAKE SYSTEMS.

NOTE
 SPECIFIC PARTS MAY VARY FROM DIAGRAM



Parts List

<u>ITEM NO.</u>	<u>PART NO.</u>	<u>DESCRIPTION</u>	<u>QTY</u>
1	250-14213	Bracket, Caliper Mounting	2
2	230-14217	Bolt, 5/8-18 x 1.50" Long, Hex Head	4
3	240-11856	Washer, .640" I.D. x 1.188" O.D. x .063" Thick	4
4	240-9074	Shim, .024" Thick	12
5	230-15934	Bolt, M8-1.25 x 16mm Long, Flanged Hex Head	4
6	270-15788	Hub	2
7	230-6959	Studs, Wheel	10
8	300-15793	Ring, ABS	2
9	370-2609	Cone, Inner Bearing	2
10	380-10792	Seal, Grease	2
11	160-8398/99	Rotor, GT 1.25" Thk x 14.00" Dia, 12 x 8.75" Bolt Circle, (one each, right and left)	2
11A	160-8396/97-BK	Rotor, SRP Drilled and Slotted (one each, right and left)	2
12	170-14209	Hat, 5 x 4.75/5.00, 1.38" offset, 12 x 8.75" Bolt Circle	2
13	230-8037	Bolt, 1/4-20 x .750 Long, 12 Point	24
14	230-11240	Washer, .265" I.D. x .500" O.D. x .063" Thick	24
15	370-9542	Cone, Outer Bearing	2
16	240-15900	Washer, Spindle, 3/4"	2
17	230-15901	Nut, Spindle, 3/4-16	2
18	180-15902	Cotter Pin, Spindle	2
19	270-15891	Cap, Dust	2
20	120-13293/94-BK	Caliper, Aerolite 6R, Black (one each, right and left)	2
20A	120-13293/94-RD	Caliper, Aerolite 6R, Red (one each, right and left)	2
21	230-9182	Nut, 7/16-20, Self-Locking, Hex Head	4
22	240-11101	Washer, .453 I.D. x .750 O.D. x .063 Thick	4
23	230-13776	Stud, 7/16-14 x 7/16-20 x 2.875" Long (pre installed in bracket)	4
24	240-1848	Shim, .030" Thick	12
25	150-9489K	Pad, BP-20 Compound, Axle Set	1
25A	150-9488K	Pad, BP-10 Compound, Axle Set	1

NOTES: P/N 230-8008 Rotor Bolt Kit, includes part numbers 230-8037 and 240-11240
P/N 230-14200 Bolt Kit, Wheel Studs, includes part number 230-6959
P/N 230-15935 Bolt Kit (included with the ProSpindle kit), ABS Sensor, includes part number 230-15934
P/N 250-14214 Caliper Bracket Kit, includes P/N's 230-13776, 230-9182, 230-14217, 240-1848, 240-9074, 240-11101, 240-11856 and 250-14213
P/N 370-10763 Lock Nut Kit, includes part numbers 180-15902, 230-15901, 240-15900 and 270-15891
Item 11A is an optional item and included with the "-D" drilled rotor kits. Add "-D" to end of part number when ordering.
Item 20A is an optional item and included with the "-R" red caliper kits. Add "-R" to end of part number when ordering.
Item 25A is included in the (D) drilled rotor and (DR) drilled rotor with red caliper kits only.