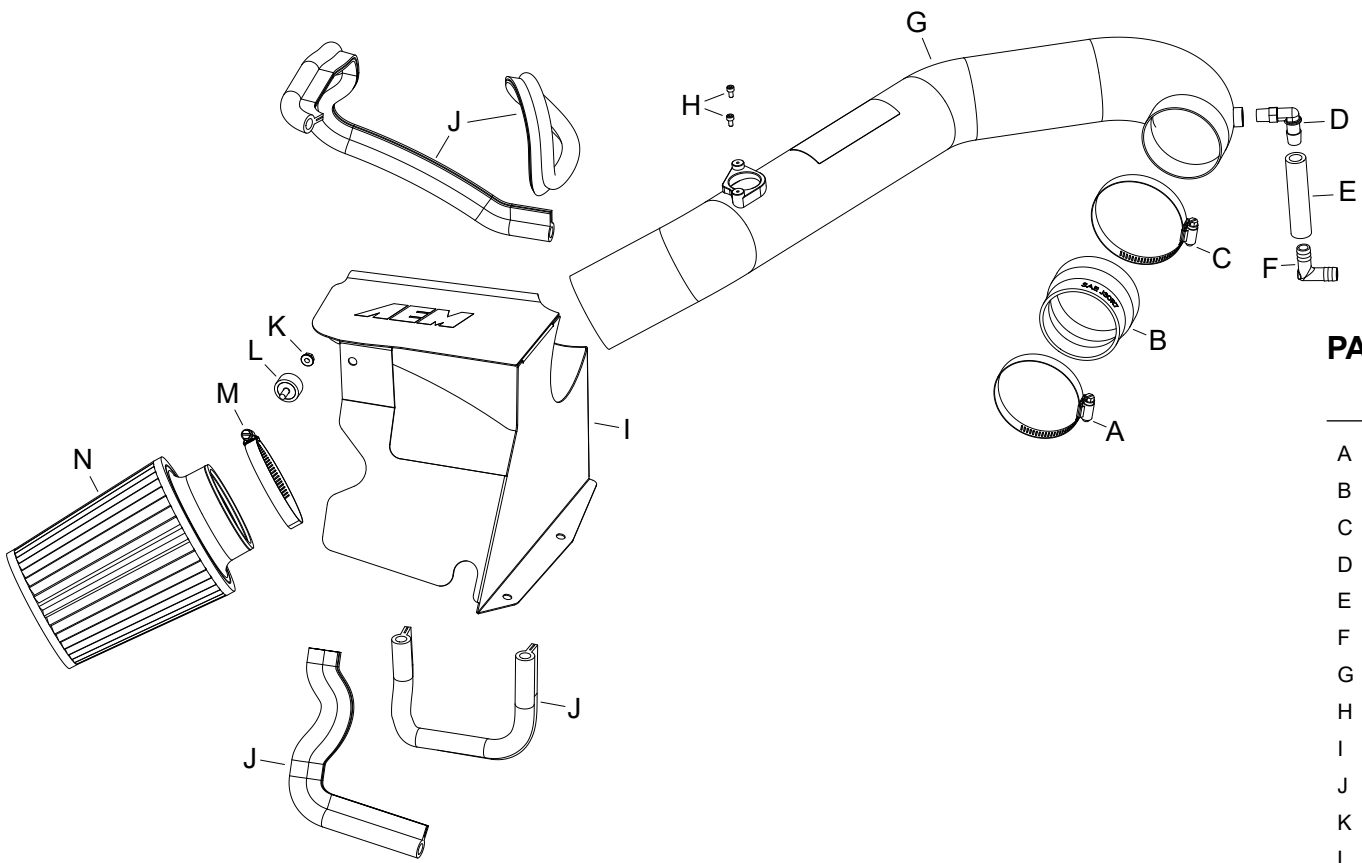


**21-874C**  
**SUBARU**  
**2018-19 Forester**  
**H4-2.5L**



**PARTS LIST:**

	Description	Qty.	Part #
A	HOSE CLAMP #48	1	08601
B	HOSE, ADAPTER 3.25/3"	1	5-323
C	HOSE CLAMP #52	1	08610
D	FITTING; VENT 1/2 X 1/2	1	08065
E	HOSE; 1/2" ID X 3-1/2" L	1	087028
F	VENT; 90 DEG, 1/2"HOSE, NPT	1	08110FK
G	INTAKE TUBE	1	25831C
H	BOLT; M4-0.7 8MM, A/H CAP	2	07733
I	HEAT SHIELD	1	20-8626
J	EDGE TRIM (61")	1	102492
K	NUT; M6, HEX, SERRATED	1	444.460.04
L	STUD; M6-1.00 M/M, RUBBER	1	07027
M	1/2" BNDHOSE CLAMP, 3.15"	1	9456
N	FILTER CHARGER	1	21-2113DK