

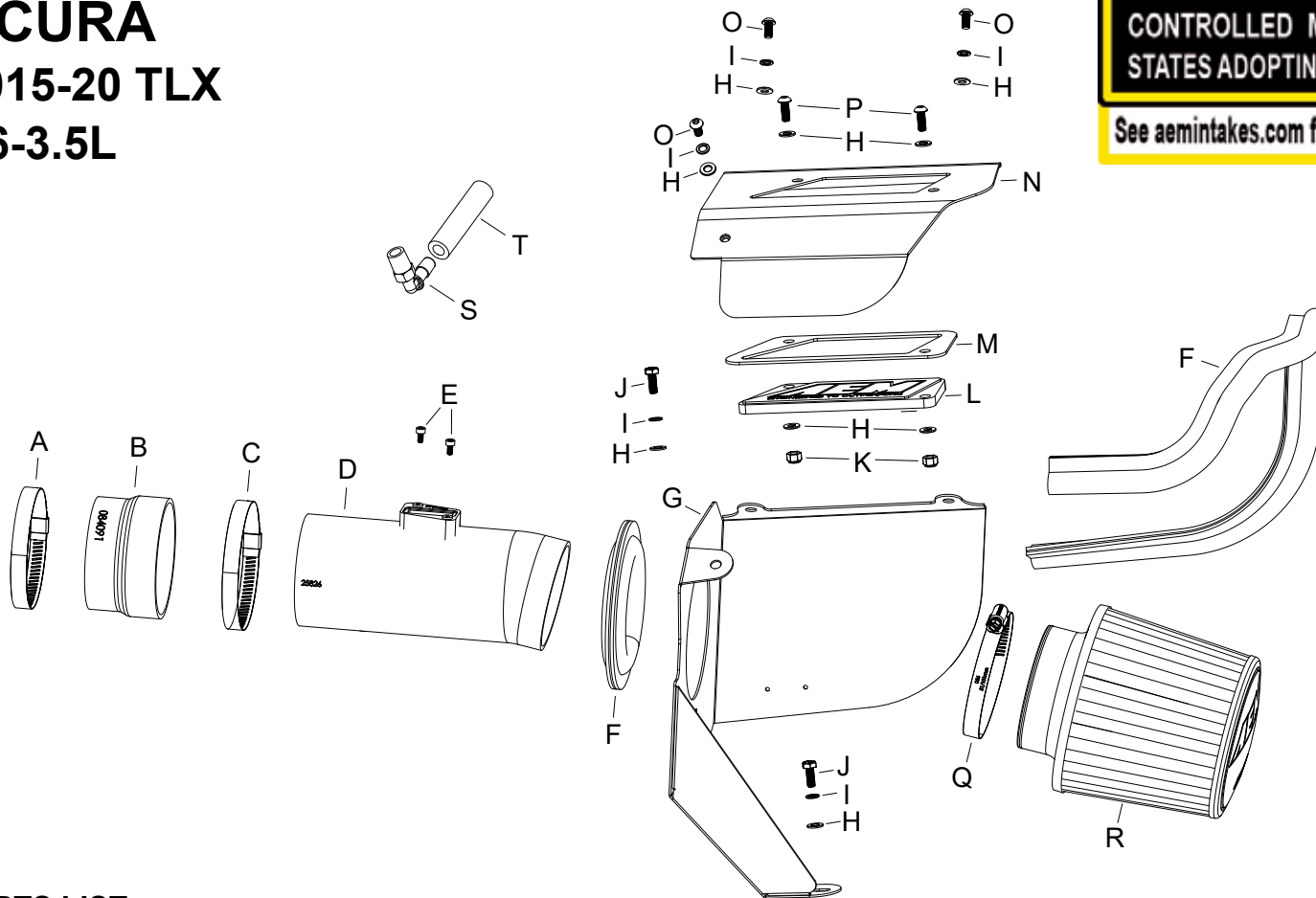


INSTALLATION INSTRUCTIONS

21-871C
ACURA
2015-20 TLX
V6-3.5L

NOT LEGAL FOR SALE OR USE ON ANY POLLUTION CONTROLLED MOTOR VEHICLE IN CALIFORNIA OR STATES ADOPTING CALIFORNIA EMISSION PROCEDURES.

See aemintakes.com for CARB status on each part for a specific vehicle



TOOLS NEEDED:

phillips screw driver
 flat blade screw driver
 ratchet
 extension
 10mm socket
 3mm allen key
 4mm allen key
 10mm wrench
 cutters

PARTS LIST:

| Description | Qty. | Part # | Description | Qty. | Part # | Description | Qty. | Part # |
|--------------------------------|------|---------|-------------------------------|------|--------|---------------------------------|------|--------------|
| A HOSE CLAMP; #52 | 1 | 08610 | H WASHER; 6MM FLAT, SS | 9 | 08269 | O BOLT; M6 X 1", 12MM, SS | 3 | 07794 |
| B HOSE; 3.25"ID TO 3.5"ID | 1 | 084091 | I WASHER; M6 SPLIT LOCK ZINC | 5 | 1-3025 | P SCREW; M6 X 20MM, BUTTON | 2 | KIT29BHC3060 |
| C HOSE CLAMP; #56 | 1 | 08620 | J BOLT; M6-1 X 16MM, SS | 2 | 07812 | Q 1/2" BNDHOSE CLAMP, 3.15" | 1 | 9456 |
| D TUBE; 3.5"OD X 9"L, AL | 1 | 25826C | K NUT; 6MM NYLOCK, HEXHEAD | 2 | 07512 | R AIR FILTER; 3.5" X 5" DRYFLOW | 1 | 21-204DK |
| E BOLT; M4-.7 X 8MM, ALLEN, SS | 2 | 07733 | L PLATE; AEM LOGO, CLEAR | 1 | 8-211 | S VENT; 90 DEG, 1/2"HOSE | 1 | 08110FK |
| F EDGE TRIM; 3/4" BULB | 1 | 102480A | M SPACER; ALUM CLEAR BADGE | 1 | 7-364 | T HOSE; 1/2"ID X 3"L | 1 | 5-5003 |
| G HEAT SHIELD, MILD STL. | 1 | 073293 | N LID, AEM-21-871C, MILD STL. | 1 | 073294 | | | |