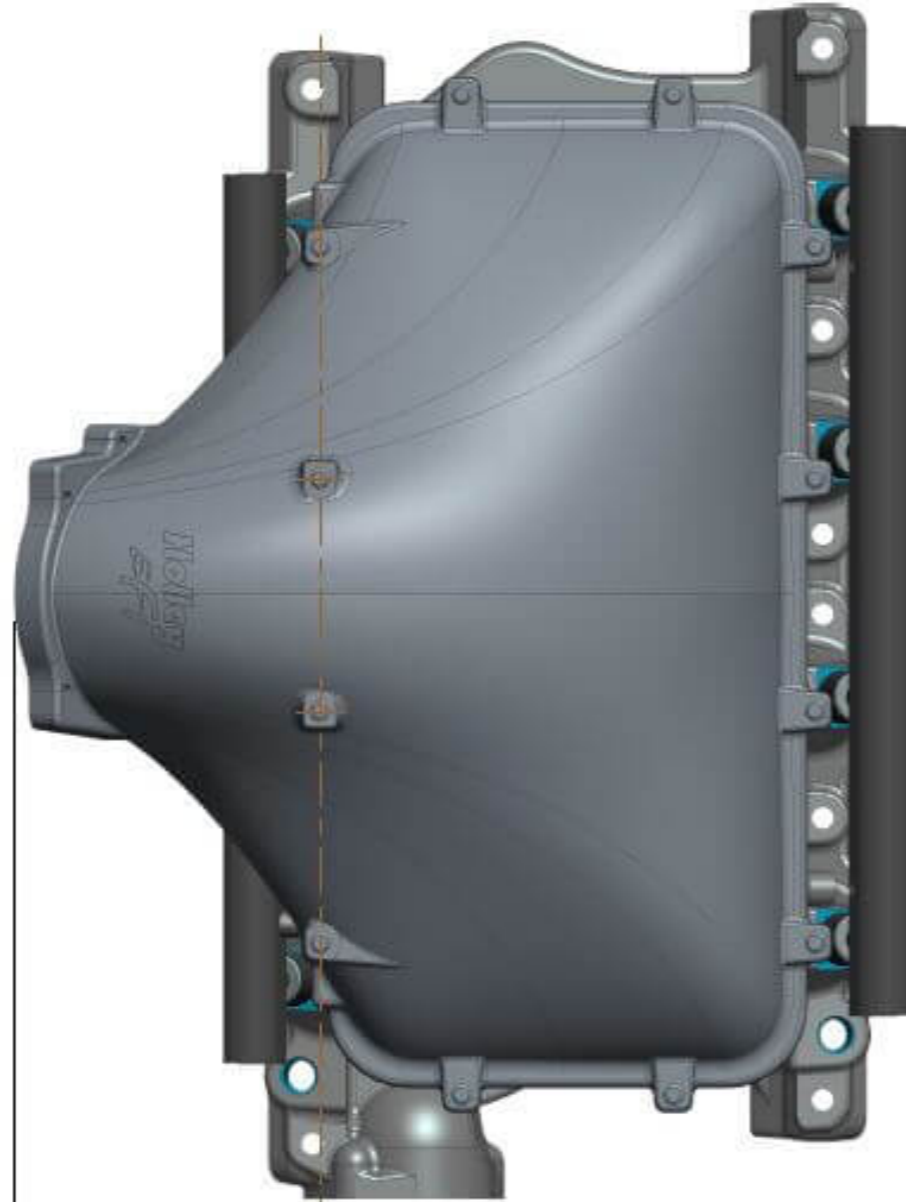
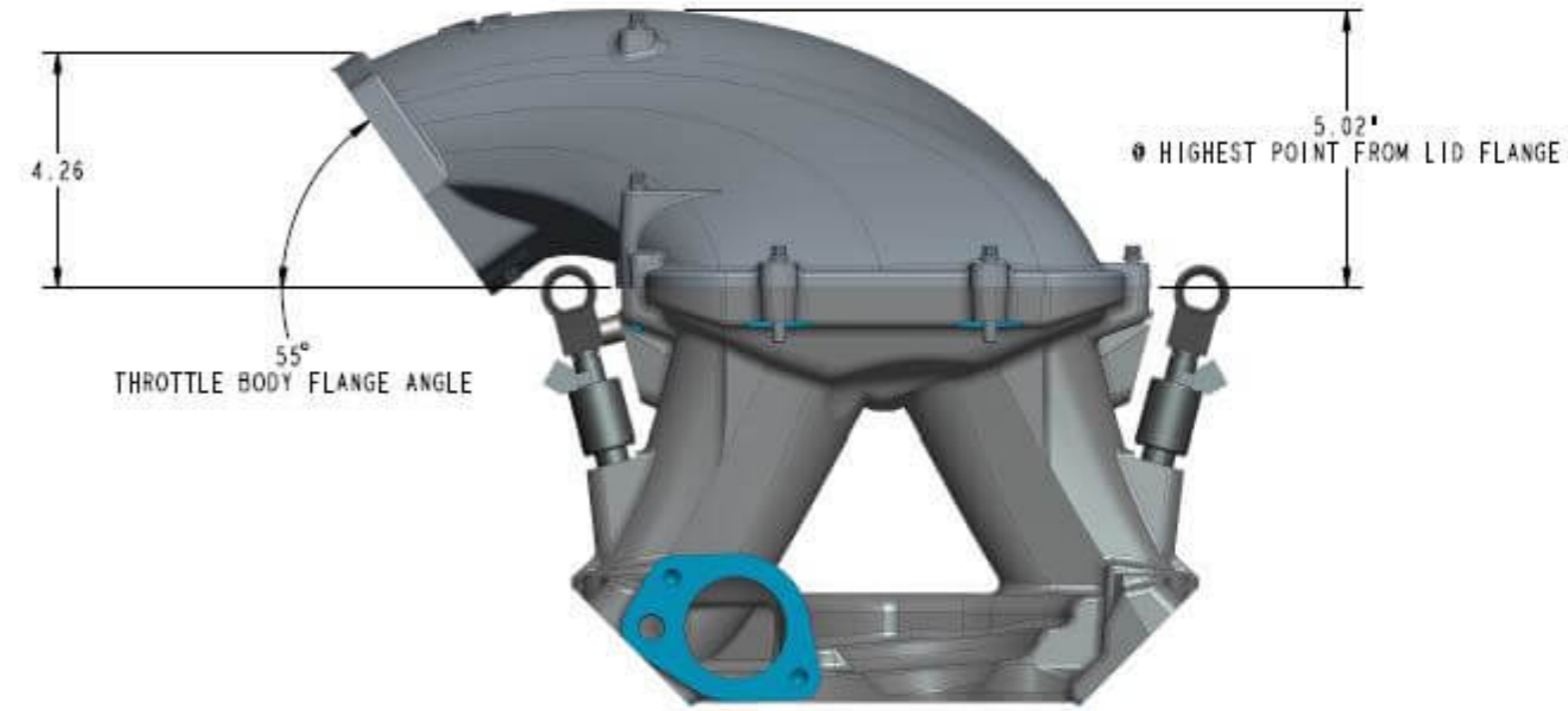


PORT DIMENSIONS



5.50"
TOP EDGE OF THROTTLE BODY FLANGE



4.26

55°
THROTTLE BODY FLANGE ANGLE

5.02"
HIGHEST POINT FROM LID FLANGE