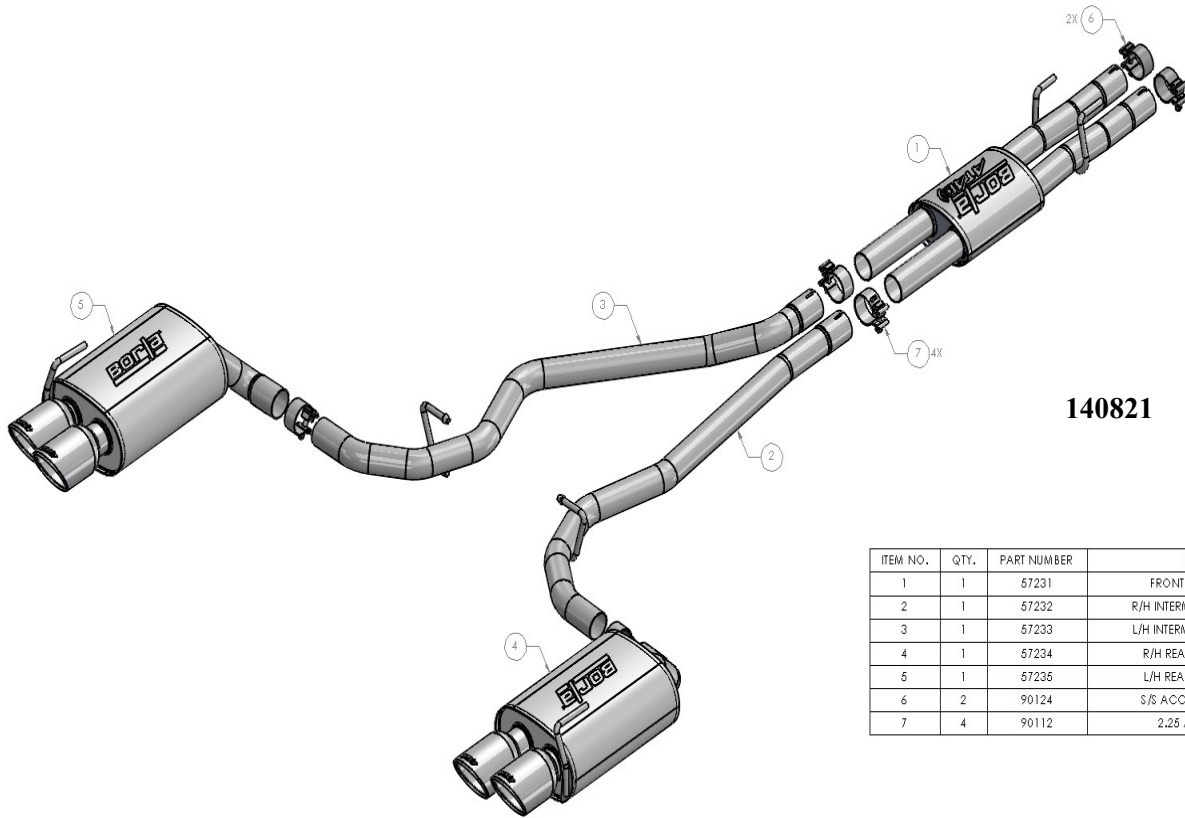


Borla Performance - Bill of Materials



140821

ITEM NO.	QTY.	PART NUMBER	DESCRIPTION
1	1	57231	FRONT MUFFLER ASSEMBLY
2	1	57232	R/H INTERMEDIATE PIPE ASSEMBLY
3	1	57233	L/H INTERMEDIATE PIPE ASSEMBLY
4	1	57234	R/H REAR MUFFLER ASSEMBLY
5	1	57235	L/H REAR MUFFLER ASSEMBLY
6	2	90124	S/S ACCUSEAL,2.125" / 54mm:
7	4	90112	2.25 ACCUSEAL CLAMP