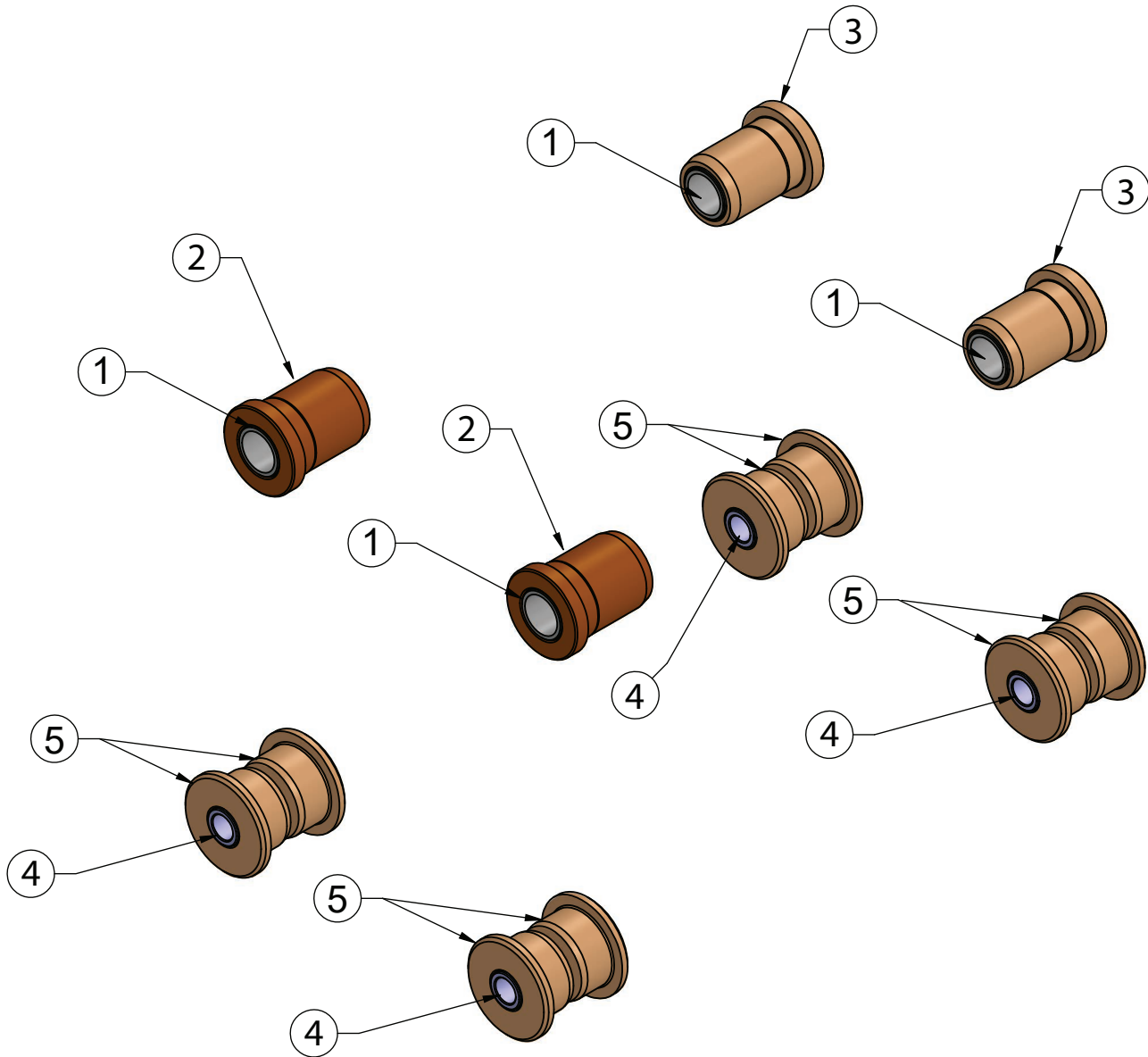


Kit Components:

11569500	Front Delrin Control Arm Bushing Kit
11563110	Front HQ CoilOvers
11569120	Front SwayBar
11566110	Rear HQ CoilOvers
11519122	Rear SwayBar



Included ComponentsIn the box

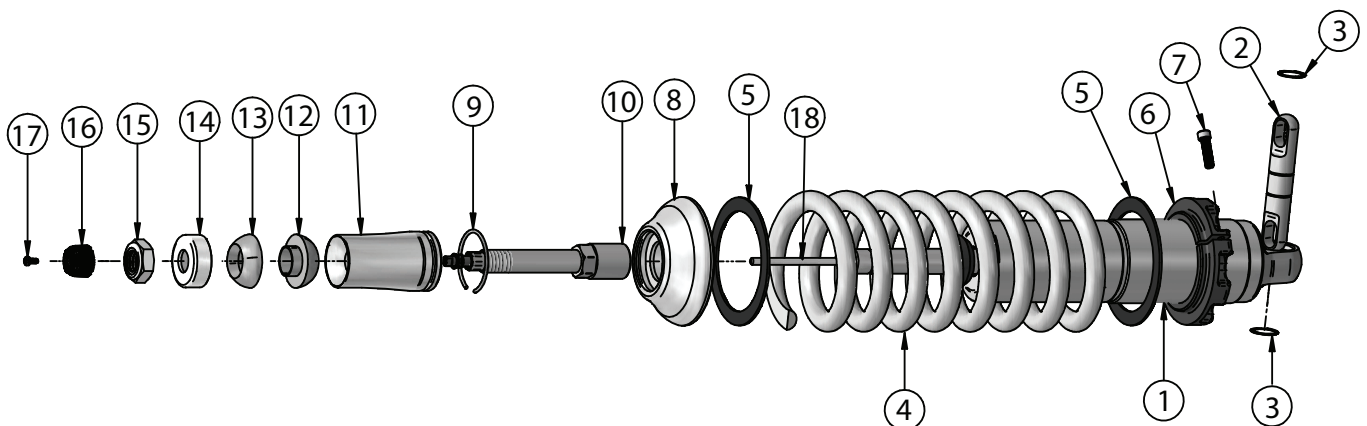


Item #	Part #	Description	QTY
1	90003108	Upper Inner Bushing Sleeve	4
2	70014075	Upper Forward Bushing	2
3	70014076	Upper Rear Bushing	2
4	90003109	Lower Inner Bushing Sleeve	4
5	70014082	Lower Bushing	8



Major ComponentsIn the box

Item #	Part #	Description	QTY
1	982-10-803	3.6" Stroke HQ Series Shock	2
2	90002060	Wide Trunnion	2
3	90001980	Trunnion Snap Ring	4
4	59080525	CoilSpring 8" 525lb	2
5	70010828	Delrin Spring Washer	4
6	803-00-199(kit)	Lower Spring Adjuster Nut (803-00-199 kit)	2
7	803-00-199(kit)	Adjuster Nut Locking Screw (803-00-199 kit)	2
8	90002070	Upper CoilSpring Retaining Plate	2
9	803-00-199(kit)	CoilSpring Plate Retaining Ring (803-00-199 kit)	2
10	90009988(kit)	2.00" Stud Adjuster Assembly	2
11	90002312	2.00" Stud Top Base	2
12	90001904	Delrin Ball Lower Half	2
13	90001903	Delrin Ball Top Half	2
14	90001902	Delrin Ball Upper Cap	2
15	99562003	9/16-18" Nylok Nut	2
16	210-35-120-0	Shock Adjuster Knob	2
17	90009969	Adjuster Knob Retaining Screw	2
18	70012160	2" Stud Top Metering Rod	2
	90001994	5/8" ID Bearing (installed in shock body)	2
	90001995	Bearing Snap Ring (installed in shock body)	4



Major ComponentsIn the box

Part #	Description	QTY
90003165	Front SwayBar	1
90003167	SwayBar Bushing Frame Spacer	2
90003159	Control Arm Linkage Mount - Driver	1
90003160	Control Arm Linkage Mount - Passenger	1
70012401	Delrin SwayBar Bushing Liner	2
90001099	SwayBar Bushing	2
90002513	SwayBar Bushing Strap	2
90001258	End Link Adapter Spacer	4
70014722	Locking Rings	2

END LINK ASSEMBLY (Preassembled)

Part #	Description	QTY
70014735	10mm Female with Stud	2
70014736	10mm Male with Stud	2
99112001	M10-1.5 Jam Nut	2

HARDWARE KIT99010126

QTY	Part Number	Description
SWAYBAR BUSHING FRAME SPACER		
2	99111003	M10-1.5 X 40mm Hex Bolt
SWAYBAR BUSHING STRAP		
2	99111004	M10-1.5 X 60mm Hex Bolt
8	99113002	M10 Flat Washer
2	99371003	3/8"-16 x 1" Hex Bolt
LINKAGE MOUNT TO CONTROL ARM		
2	99373006	3/8"-16 X 2 3/4" Hex Bolt
6	99373002	3/8" SAE Flat Washer
2	99372001	3/8"-16 Nylok Nut

QTY	Part Number	Description
SHOCK BOLTS TO CONTROL ARM		
4	99311031	5/16"-18 x 2 1/4" Hex Bolt
4	99313001	5/16" SAE Flat Washer
4	99312002	5/16"-18 Nylok Nut
END LINKS TO SWAYBAR AND FRAME MOUNT		
4	99112005	M10-1.5 Flange Lock Kit



Major ComponentsIn the box

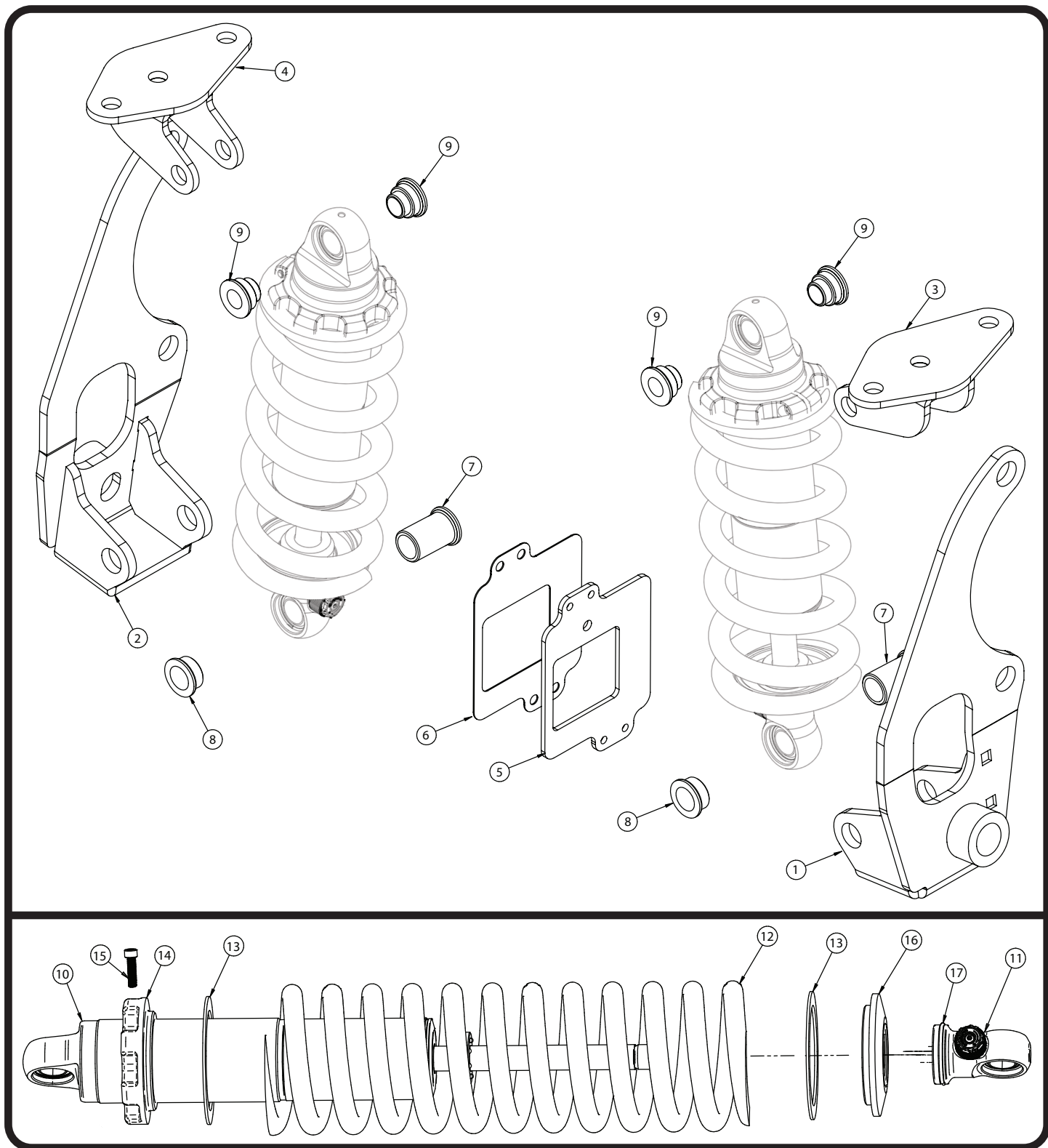
Item #	Part #	Description	QTY
1	90003155	Lower CoilOver Mount Assembly - Driver	1
2	90003156	Lower CoilOver Mount Assembly - Pass	1
3	90003157	Upper CoilOver Mount Assembly - Driver	1
4	90003158	Upper CoilOver Mount Assembly - Pass	1
5	90003172	ABS Plug Relocation Plate	1
6	70014773	ABS Plug Relocation Gasket	1
7	90003173	.625 x 1.375 Lower Shock Bearing Spacer	2
8	90002042	.625 x .365 Lower Shock Bearing Spacer	2
9	90002043	.500 x .365 Upper Shock Bearing Spacer	4
10	982-10-804	3.6" Stroke HQ Series Shock	2
11	815-05-022	Shock Eyelet Assembly	2
12	59080500	CoilSpring 8" 500lb	2
13	70010828	Delrin Spring Washer	4
14	803-00-199(kit)	Lower Spring Adjuster Nut (803-00-199 kit)	2
15	803-00-199(kit)	Adjuster Nut Locking Screw (803-00-199 kit)	2
16	803-00-199(kit)	Upper CoilSpring Retaining Plate (803-00-199 kit)	2
17	803-00-199(kit)	CoilSpring Plate Retaining Ring (803-00-199 kit)	2
18	90001994	5/8" ID Bearing (installed in shock eyelet/body)	4
19	90001995	Bearing Snap Ring (installed in shock eyelet/body)	8

HARDWARE LIST Kit # 99010125

QTY	Part Number	Description
LOWER COILOVER MOUNTING		
2	99621004	5/8"-18 x 3" Hex Bolt
2	99621010	5/8"-18 x 4" Hex Bolt
8	99623001	5/8" SAE Flat Washer
4	99622001	5/8"-18 Nylok Nut
UPPER COILOVER		
2	99501064	1/2"-13 x 2 3/4" Hex Bolt
4	99503014	1/2" SAE Flat Washer
2	99502009	1/2"-13 Nylok Nut
ABS PLUG RELOCATION PLATE		
4	99101009	#10 x 3/4" Tek Screw



Major ComponentsIn the box



Major ComponentsIn the box

Part #	Description	QTY
90003161	Rear SwayBar	1
90003164	SwayBar Bushing Frame Spacer	2
90003162	Control Arm Linkage Mount	2
70012402	Delrin SwayBar Bushing Liner	2
90002539	SwayBar Bushing	2
90002533	SwayBar Bushing Strap	2
90001258	End Link Adapter T-Bushing	4
90003163	End Link Spacer (.300" Thick)	2
70014721	Locking Rings	2

END LINK ASSEMBLY (Preassembled)

Part #	Description	QTY
70014735	10mm Female with Stud	2
70014736	10mm Male with Stud	2
99112001	M10-1.5 Jam Nut	2

HARDWARE KIT.....99010127

QTY	Part Number	Description
END LINK MOUNTS TO KNUCKLE		
4	99311011	5/16"-18 x 1 1/4" Hex Bolt
4	99313001	5/16" SAE Flat Washer
4	99312002	5/16"-18 Nylok Nut
END LINKS TO KNUCKLE MOUNT		
4	99113002	M10 Flat Washer
END LINKS TO SWAYBAR AND FRAME MOUNT		
4	99112005	M10-1.5 Flange Lock Kit