



## C1121 Installation Instructions 2015 Chevy Colorado / GMC Canyon 1.25" Strut Spacer Kit

### Read and understand all instructions and warnings prior to installation of product and operation of vehicle.

Zone Offroad Products recommends this system be installed by a professional technician. In addition to these instructions, professional knowledge of disassembly/ reassembly procedures and post installation checks must be known. Minimum tool requirements include the following: Assorted metric and standard wrenches, hammer, hydraulic floor jack and a set of jack stands. See the "Special Tools Required" section for additional tools needed to complete this installation properly and safely.

#### » PRODUCT SAFETY WARNING

Certain Zone Suspension Products are intended to improve off-road performance. Modifying your vehicle for off-road use may result in the vehicle handling differently than a factory equipped vehicle. Extreme care must be used to prevent loss of control or vehicle rollover. Failure to drive your modified vehicle safely may result in serious injury or death. Zone Offroad Products does not recommend the combined use of suspension lifts, body lifts, or other lifting devices.

You should never operate your modified vehicle under the influence of alcohol or drugs. Always drive your modified vehicle at reduced speeds to ensure your ability to control your vehicle under all driving conditions. Always wear your seat belt.

#### » TECHNICAL SUPPORT

*Live Chat* provides instant communication with Zone tech support. Anyone can access live chat through a link on [www.zoneoffroad.com](http://www.zoneoffroad.com).

[www.zoneoffroad.com](http://www.zoneoffroad.com) may have additional information about this product including the latest instructions, videos, photos, etc.

Send an e-mail to [tech@zoneoffroad.com](mailto:tech@zoneoffroad.com) detailing your issue for a quick response.

**888.998.ZONE** Call to speak directly with Zone tech support.

#### Difficulty Level

easy 1 **2** 3 4 5 difficult

Estimated installation: 2 hours

#### Special Tools Required

None

#### Tire/Wheel Fitment

265/65R17 - stock backspacing

#### » PRE-INSTALLATION NOTES

1. Special literature required: OE Service Manual for model/year of vehicle. Refer to manual for proper disassembly/reassembly procedures of OE and related components.
2. Adhere to recommendations when replacement fasteners, retainers and keepers are called out in the OE manual.
3. Larger rim and tire combinations may increase leverage on suspension, steering, and related components. When selecting combinations larger than OE, consider the additional stress you could be inducing on the OE and related components.
4. Post suspension system vehicles may experience drive line vibrations. Angles may require tuning, slider on shaft may require replacement, shafts may need to be lengthened or trued, and U-joints may need to be replaced.
5. Secure and properly block vehicle prior to installation of Zone Offroad Products. Always wear safety glasses when using power tools.
6. If installation is to be performed without a hoist, Zone Offroad Products recommends rear alterations first.
7. Due to payload options and initial ride height variances, the amount of lift is a base figure. Final ride height dimensions may vary in accordance to original vehicle attitude. Always measure the attitude prior to beginning installation.

rev102214

## Kit Contents

**\*Important\*** Verify you have all of the kit components before beginning installation.

Qty	Part
2	Strut Spacer
1	Bolt Pack
6	10mm Flange Nut

## Important—measure before starting!

Measure from the center of the wheel up to the bottom edge of the wheel opening

LF \_\_\_\_\_ RF \_\_\_\_\_

LR \_\_\_\_\_ RR \_\_\_\_\_

## INSTALLATION INSTRUCTIONS

### »» PRE-INSTALLATION

1. Park vehicle on clean and level surface. Block the rear wheels for safety.
2. Measure the ride height of the vehicle from the center of the wheel to the fender and record.
3. Raise the front of the vehicle with a hydraulic jack. Support the frame rails with jack stands.

### »» INSTALLATION INSTRUCTIONS

1. Remove the front wheels.
2. Remove the sway bar links from the vehicle. They are attached with a through bolt. Save all components for re-installation. **Figure 1**

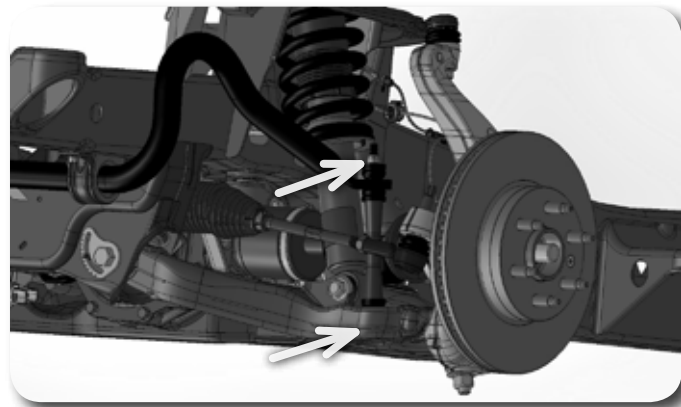


Figure 1

*Perform the following installation steps on one side at a time.*

3. Disconnect the brake line bracket from the strut tower and the ABS wire from the control arm mount to gain additional slack. **Figure 2**



Figure 2

4. Support the lower control arm with a hydraulic jack and remove the 3 upper nuts holding the top of the strut to the frame mount. **DO NOT** remove the center nut on the strut. Discard nuts, these will not be re-used. **Figure 3**

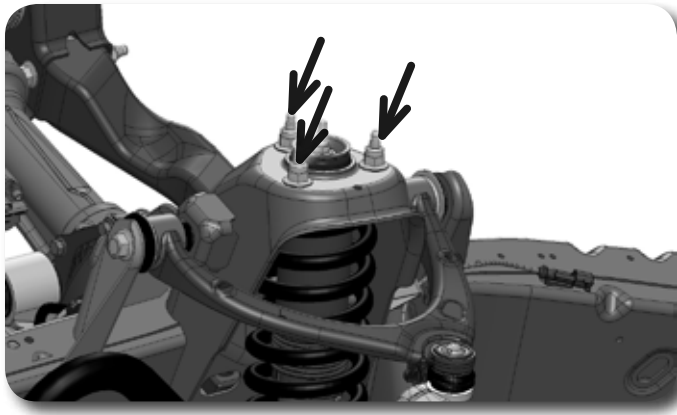


Figure 3

5. Remove the lower strut bolt. Figure 4

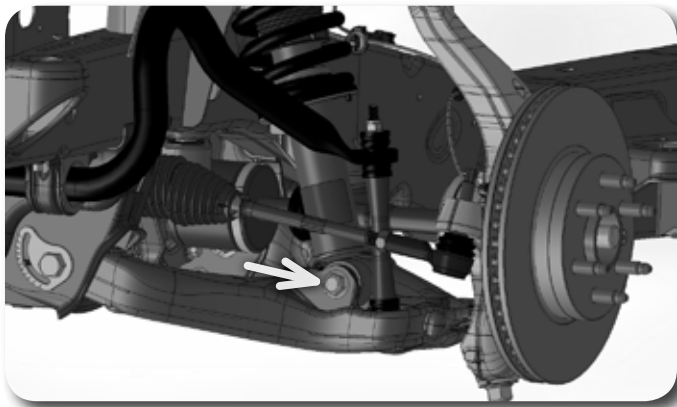


Figure 4

6. Remove the upper ball joint nut and thread it on until flush with the end of the ball joint. Gently strike the end of the ball joint to dislodge it from the knuckle, it typically does not take much force. Avoid hitting the aluminum knuckle. Disconnect the ball joint and allow the knuckle to swing rearward out of the way. Figure 5

### Step 6 Note

Be prepared to support the knuckle once the upper balljoint is removed.

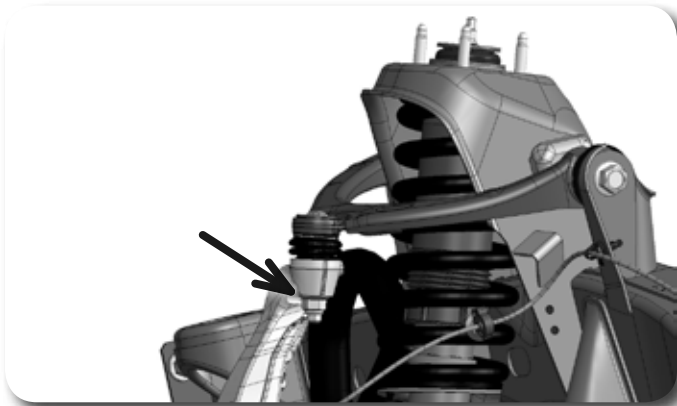


Figure 5

7. Using the jack, lower the control arm and knuckle enough to remove the strut.
8. Install the strut spacer onto the factory upper strut studs. Figure 6



Figure 6

9. Loosely re-install the strut with strut spacer to the frame with the provided 10mm locking flange nuts.
10. Raise the lower control arm and re-connect the upper ball joint to the knuckle. Re-install the lower strut bolt, but do not tighten. Torque the upper ball joint nut to 55 ft-lbs.
11. Torque the upper strut mount nuts to 45 ft-lbs.
12. Complete the strut spacer installation procedure on the other side.
13. Reattach the sway bar links to the sway bar and lower control arms and tighten until the bushings begin to swell.
14. Re-install the brake line brackets and ABS wire clips to the frame.

## Post-Installation Warnings

1. Check all fasteners for proper torque. Check to ensure for adequate clearance between all rotating, mobile, fixed, and heated members. Verify clearance between exhaust and brake lines, fuel lines, fuel tank, floor boards and wiring harness. Check steering gear for clearance. Test and inspect brake system.
2. Perform steering sweep to ensure front brake hoses have adequate slack and do not contact any rotating, mobile or heated members. Inspect rear brake hoses at full extension for adequate slack. Failure to perform hose check/ replacement may result in component failure.
3. Perform head light check and adjustment.
4. Re-torque all fasteners after 500 miles. Always inspect fasteners and components during routine servicing.

## »» POST INSTALLATION

1. Install the tires and lower the vehicle to the ground, bounce the front end to settle the suspension.
2. Torque the lower strut bolt to 125 ft-lbs.
3. A front end alignment must now be performed to original equipment specifications.