

INSTALLATION INSTRUCTIONS



XTS BRUSH GUARD

APPLICATION:

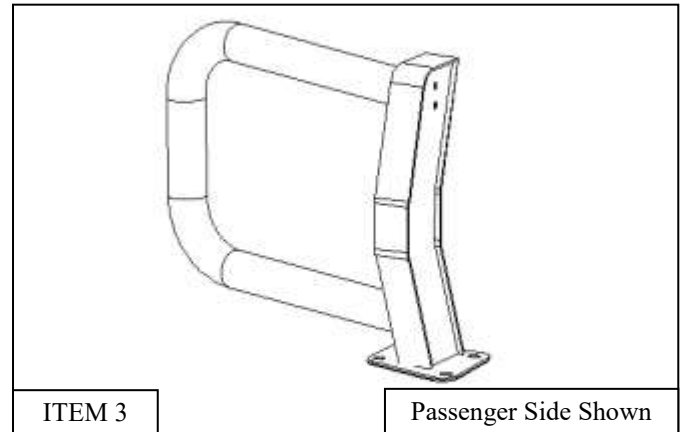
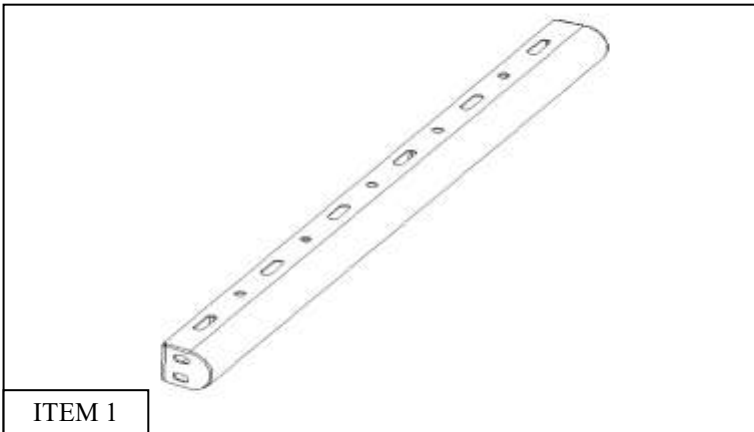
2021 - 2023 Ford Bronco (Excl. Bronco Sport) W/ XTS Front Bumper

PART NUMBER:

59-761255

CONTENT			
ITEM	QUANTITY	DESCRIPTION	TOOLS NEEDED
1	1	LIGHT CHANNEL	13MM SOCKET
2	1	DRIVER XTS WING	13MM WRENCH
3	1	PASSENGER XTS WING	RATCHET
4	12	M8 BUTTON HEAD BOLT	ALLEN KEY
5	12	M8 SPLIT LOCK WASHER	TORQUE WRENCH
6	12	M8 FLAT WASHER	
7	8	M8 SERRATED FLANGE NUTS	

ANTI-SEIZE LUBRICANT MUST BE USED ON ALL STAINLESS STEEL FASTENERS TO PREVENT THREAD DAMAGE AND GALLING



PROCEDURE

1. Remove contents from box, verify if all parts listed are present and free from damage.
Carefully read and understand all instructions before attempting installation.
Failure to identify damage before installation could lead to a rejection of any claim.
2. Begin by assembling the Light Channel (**Item 1**) to the Driver Side XTS Wing (**Item 2**) using the provided M8 hardware (**Items 4-6**). See **Figure 1 and 2** for reference.
3. Repeat **Step 2** for Passenger Side XTS Wing (**Item 3**).

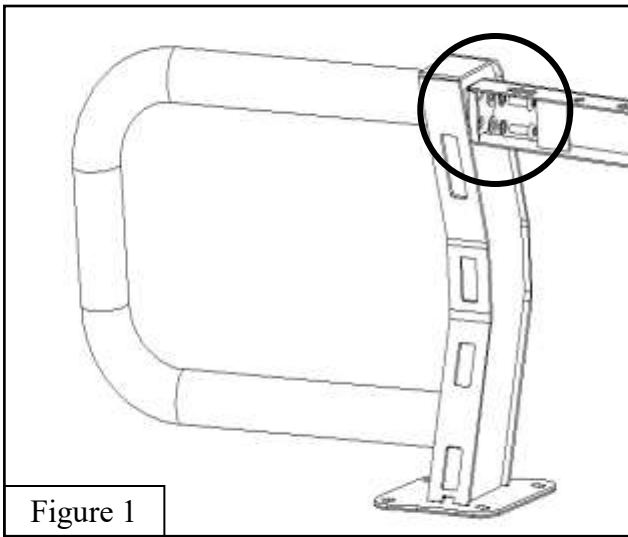


Figure 1

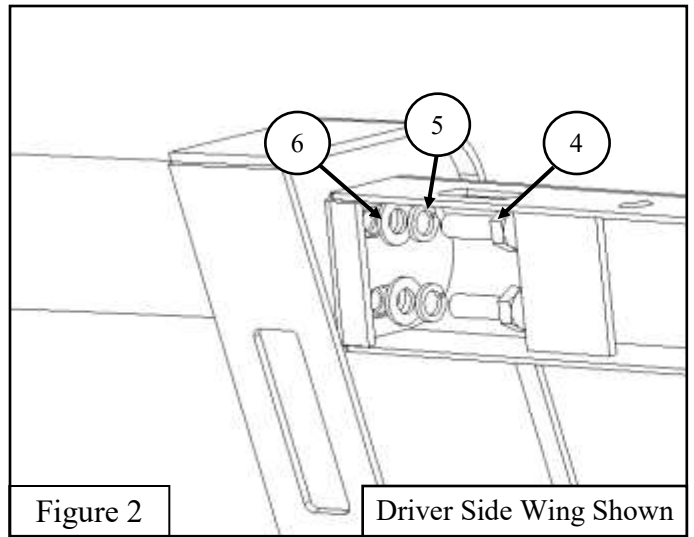


Figure 2

Driver Side Wing Shown

3. Locate the mounting holes on the XTS bumper. See **Figure 3** for reference.
4. With the XTS bumper either off of the vehicle, or installed on the vehicle, loosely mount the Brush Guard assembly using the supplied M8 hardware. See **Figure 4** for reference. Repeat for both the driver and passenger side of the Brush Guard.
5. Align and adjust the Brush Guard as needed, and torque M8 hardware to 15-18 ft-lbs.

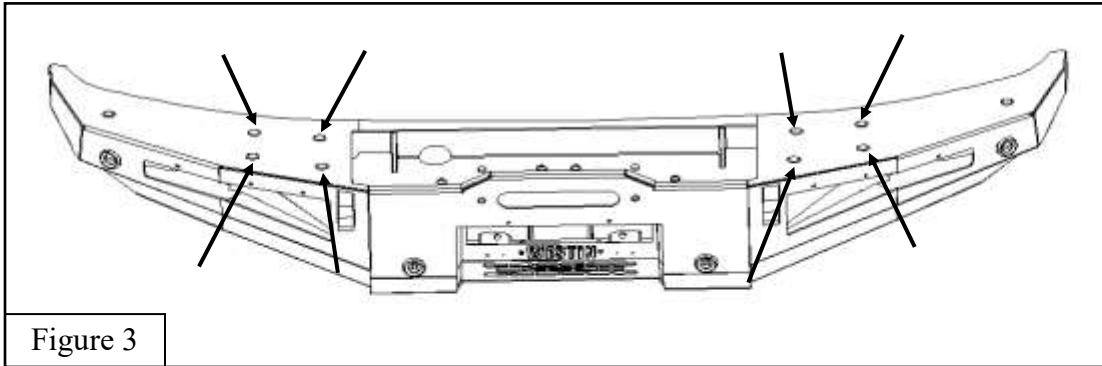


Figure 3

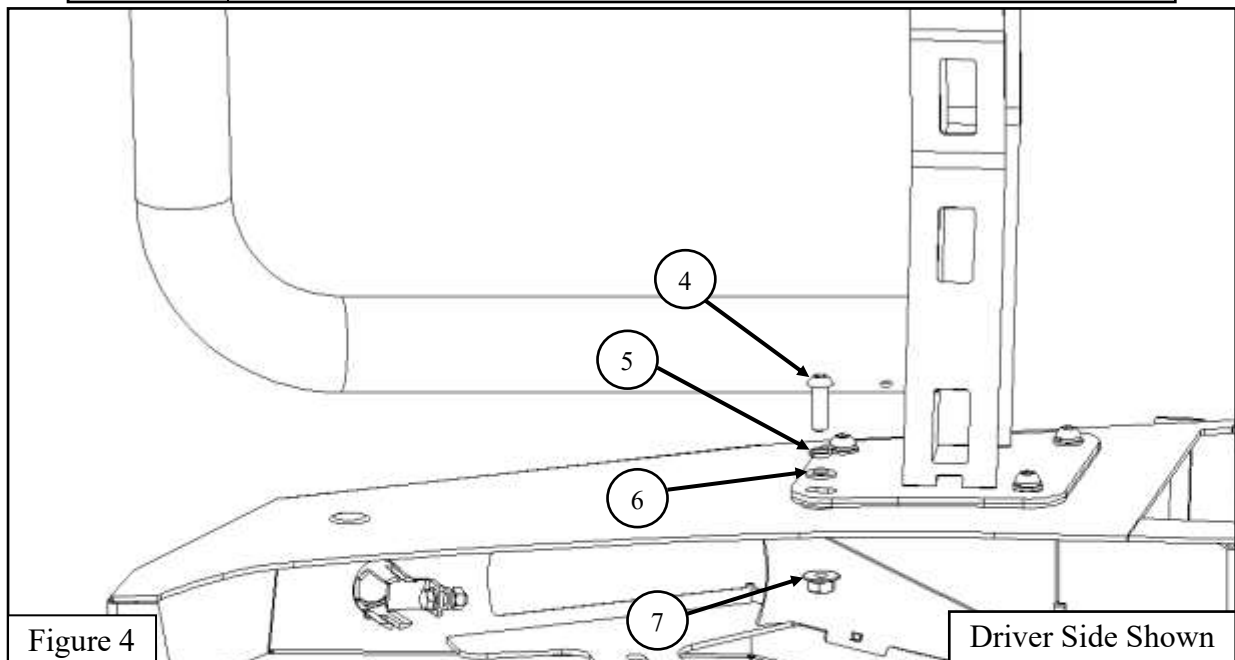


Figure 4

Driver Side Shown

INSTALLATION COMPLETE



CARE INSTRUCTIONS

- REGULAR WAXING IS RECOMMENDED. DO NOT USE ANY TYPE OF POLISH OR WAX THAT MAY CONTAIN ABRASIVES.
- STAINLESS STEEL PRODUCTS CAN BE CLEANED WITH MILD SOAP AND WATER. STAINLESS STEEL POLISH SHOULD BE USED TO POLISH SMALL SCRATCHES.
- GLOSS BLACK FINISHES SHOULD BE CLEANED WITH MILD SOAP AND WATER.

WESTIN Westin Automotive Products, Inc.
320 W. Covina Blvd
San Dimas, Ca. 91773

Thank you for choosing Westin products
for additional installation assistance please call
Customer Service (800) 793-7846
www.westinautomotive.com



WARNING



Failure to follow these instructions could lead to death, personal injury, and / or property damage.

Failure to follow these instructions could lead to death, personal injury, and / or property damage.

FASTENERS:

All Westin supplied fasteners must be utilized and installed in accordance with the installation instructions and apply torque to the specifications as defined. **DOUBLE CHECK ALL FASTENERS BEFORE INITIAL USE, AND PERIODICALLY IN THE FUTURE TO ENSURE PROPER FUNCTION AND SAFETY.**

DRILLING:

Most Westin products do not require drilling for installation. If drilling is defined as required, use caution when drilling a vehicle. **FAILURE TO REVIEW AN AREA TO BE DRILLED MAY RESULT IN PERSONAL INJURY AND/OR INJURY TO OTHERS AS WELL AS VEHICLE DAMAGE.**

EYE PROTECTION:

ALWAYS WEAR SAFETY GLASSES OR GOGGLES DURING THE INSTALLATION PROCESS TO AVOID PERSONAL INJURY.

MAXIMUM TOWING/CARRYING CAPACITY: (if applicable)

The Westin Receiver Hitches will have a visible tow rating label affixed directly on the product. User should never exceed the vehicle manufacturers maximum tow and weight rating regardless of the capacity of the hitch. **FAILURE TO FOLLOW THESE GUIDELINES WILL VOID THE WESTIN WARRANTY AND MAY RESULT IN PERSONAL INJURY AND/OR INJURY TO OTHERS AS WELL AS VEHICLE DAMAGE.**

FOR CALIFORNIA RESIDENTS ONLY-PROP 65 WARNING:

Some products may contain chemicals such as DEHP, which can cause cancer, birth defects or other reproductive harm. For more info go to www.p65warnings.ca.gov



Westin Automotive Products, Inc.
320 W. Covina Blvd
San Dimas, Ca. 91773