

# INSTALLATION INSTRUCTIONS

## OUTLAW BUMPER HITCH ACCESSORY

# WESTIN®

### APPLICATION:

2019 Ram 1500 (Accessory for Outlaw Rear Bumper Only)

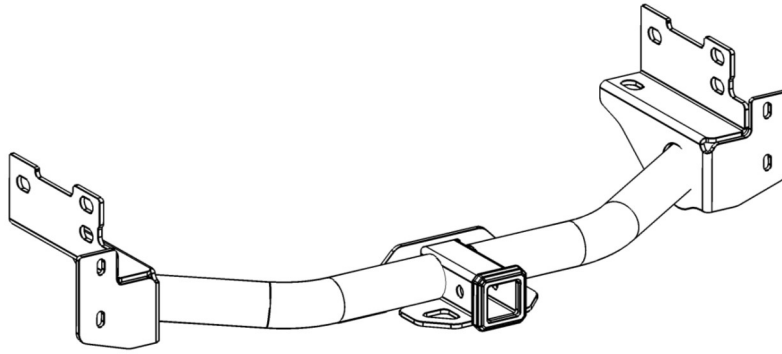
### PART NUMBER:

58-81075H

### CONTENT

ITEM	QUANTITY	DESCRIPTION	TOOLS NEEDED
1	1	HITCH ACCESSORY	21MM SOCKET
2	4	M14 HEX NUT	21MM WRENCH
3	8	M14 FLAT WASHER	RATCHET
4	8	M14 SPLIT LOCK WASHER	TORQUE WRENCH

**ANTI-SEIZE LUBRICANT MUST BE USED ON ALL STAINLESS STEEL FASTENERS TO PREVENT THREAD DAMAGE AND GALLING**

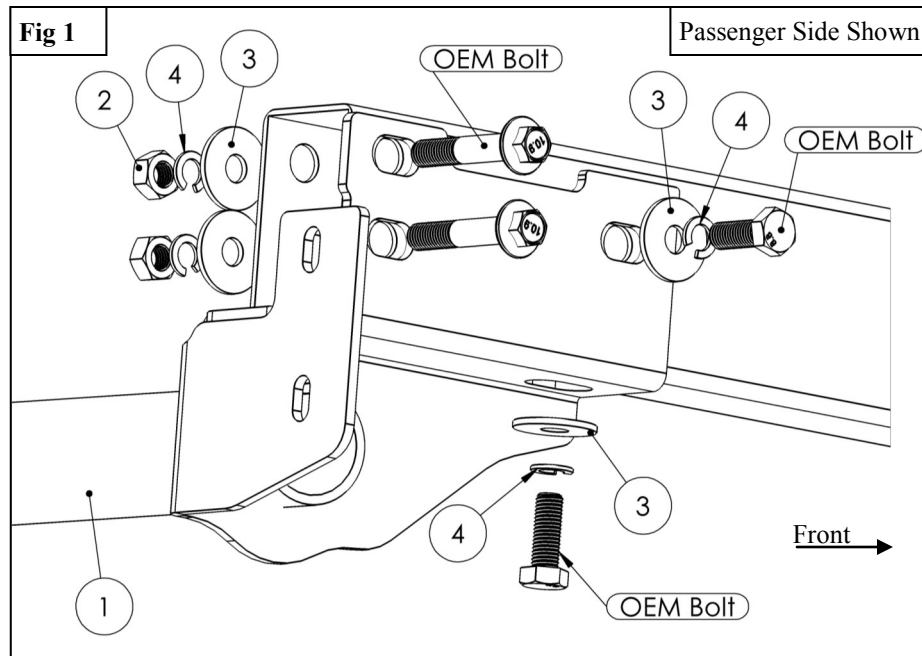


ITEM 1

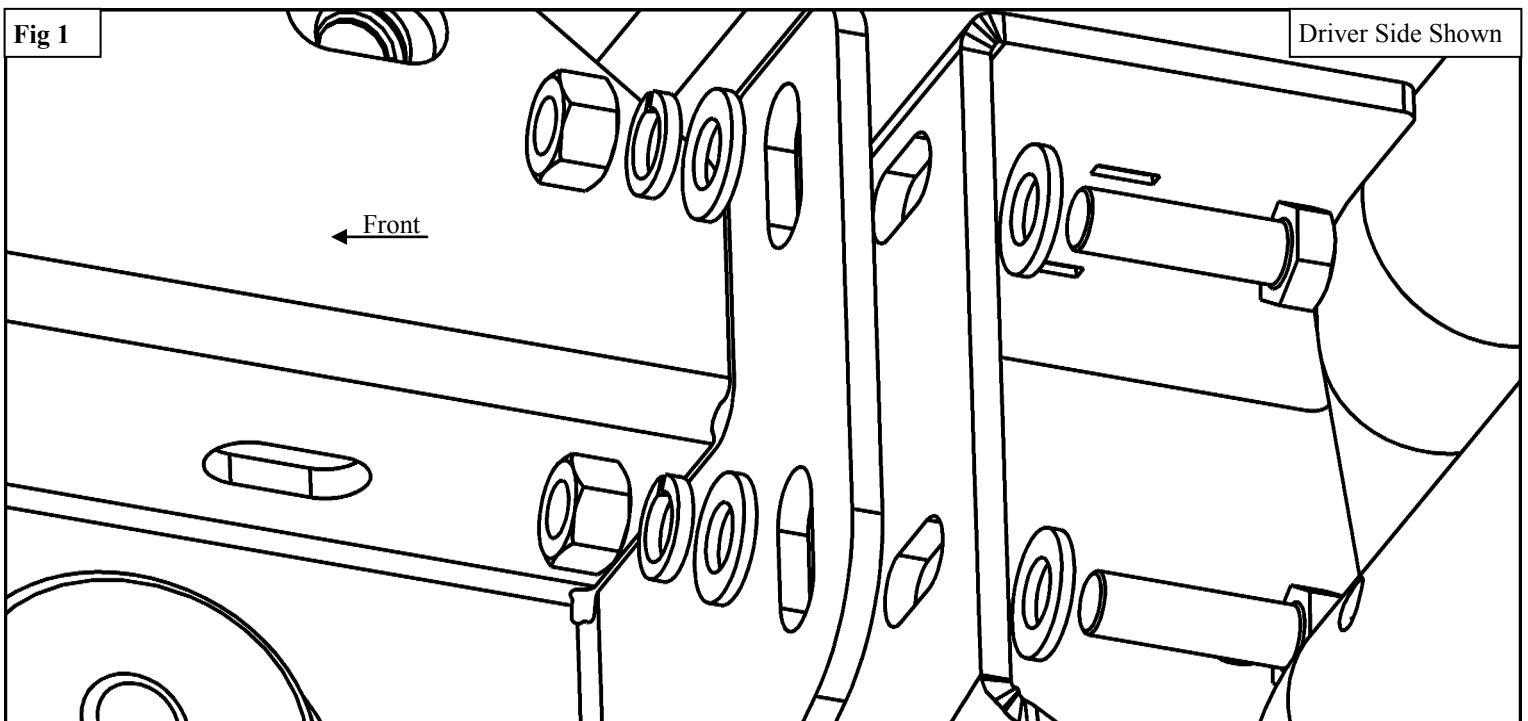
### PROCEDURE

1. Remove contents from box, verify if all parts listed are present and free from damage.  
Carefully read and understand all instructions before attempting installation.  
**Failure to identify damage before installation could lead to a rejection of any claim.**

2. The factory tow hitch should be removed in the installation of the Rear Outlaw Bumper (sold separately). Refer to your bumper installation instructions for OEM hitch removal.
3. If the Outlaw Rear Bumper (sold separately) is already installed, remove it at this time. Install the Hitch Accessory (1) to the frame rail using the supplied M14 Hardware along with the factory hitch hardware. See **Figure 1**.



4. Install the Rear Outlaw Bumper (sold separately) to the Hitch Accessory (1) using the M12 hardware supplied with the bumper. See **Figure 2**.
5. Torque all hardware as specified: M12 to 65 ft-lbs, M14 to 100 ft-lbs.



INSTALLATION COMPLETE



Outlaw Rear Bumper and LED Lights sold separately

CARE INSTRUCTIONS

- REGULAR WAXING IS RECOMMENDED. DO NOT USE ANY TYPE OF POLISH OR WAX THAT MAY CONTAIN ABRASIVES.
- STAINLESS STEEL PRODUCTS CAN BE CLEANED WITH MILD SOAP AND WATER. STAINLESS STEEL POLISH SHOULD BE USED TO POLISH SMALL SCRATCHES.
- GLOSS BLACK FINISHES SHOULD BE CLEANED WITH MILD SOAP AND WATER

**WESTIN**

Westin Automotive Products, Inc.  
320 W. Covina Blvd  
San Dimas, Ca. 91773

Thank you for choosing Westin products  
for additional installation assistance please call  
Customer Service (800) 793-7846

[www.westinautomotive.com](http://www.westinautomotive.com)



## WARNING



Failure to follow these instructions could lead to death, personal injury, and / or property damage.

Failure to follow these instructions could lead to death, personal injury, and / or property damage.

### FASTENERS:

All Westin supplied fasteners must be utilized and installed in accordance with the installation instructions and apply torque to the specifications as defined. **DOUBLE CHECK ALL FASTENERS BEFORE INITIAL USE, AND PERIODICALLY IN THE FUTURE TO ENSURE PROPER FUNCTION AND SAFETY.**

### DRILLING:

Most Westin products do not require drilling for installation. If drilling is defined as required, use caution when drilling a vehicle. **FAILURE TO REVIEW AN AREA TO BE DRILLED MAY RESULT IN PERSONAL INJURY AND/OR INJURY TO OTHERS AS WELL AS VEHICLE DAMAGE.**

### EYE PROTECTION:

**ALWAYS WEAR SAFETY GLASSES OR GOGGLES DURING THE INSTALLATION PROCESS TO AVOID PERSONAL INJURY.**

### MAXIMUM TOWING/CARRYING CAPACITY: (if applicable)

The Westin Receiver Hitches will have a visible tow rating label affixed directly on the product. User should never exceed the vehicle manufacturers maximum tow and weight rating regardless of the capacity of the hitch. **FAILURE TO FOLLOW THESE GUIDELINES WILL VOID THE WESTIN WARRANTY AND MAY RESULT IN PERSONAL INJURY AND/OR INJURY TO OTHERS AS WELL AS VEHICLE DAMAGE.**

### FOR CALIFORNIA RESIDENTS ONLY-PROP 65 WARNING:

Some products may contain chemicals such as DEHP, which can cause cancer, birth defects or other reproductive harm. For more info go to [www.p65warnings.ca.gov](http://www.p65warnings.ca.gov)



Westin Automotive Products, Inc.  
320 W. Covina Blvd  
San Dimas, Ca. 91773