



INSTALLATION INSTRUCTIONS

OUTLAW HITCH

APPLICATION: 2014-2018 Toyota Tundra

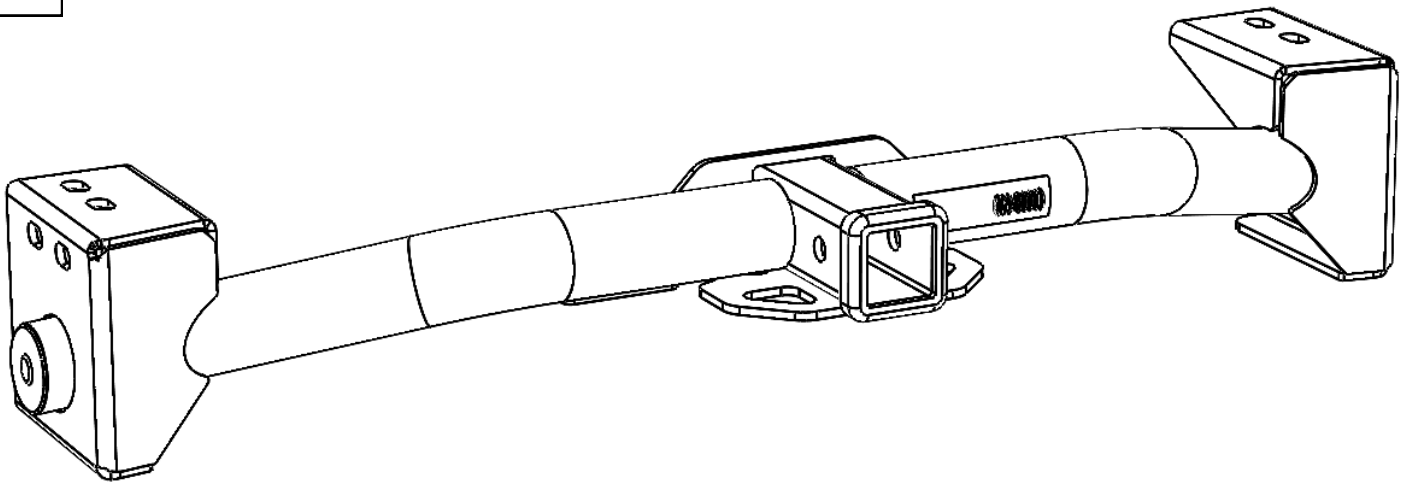
PART NUMBER: 58-81035H

CONTENT

ITEM	QUANTITY	DESCRIPTION	TOOLS NEEDED
1	1	HITCH	1/2 Drive Ratchet
2	4	M14 BOLTS	19mm Socket
3	4	M14 HEX NUTS	22mm Socket
4	4	M14 LOCK WASHERS	22mm Wrench
5	4	M14 FLAT WASHERS	Torque Wrench
6	4	M12 HEX BOLT	
7	4	M12 LOCK WASHER	
8	4	M12 FLAT WASHER LARGE	
9	4	M14 FLAT WASHER SMALL	

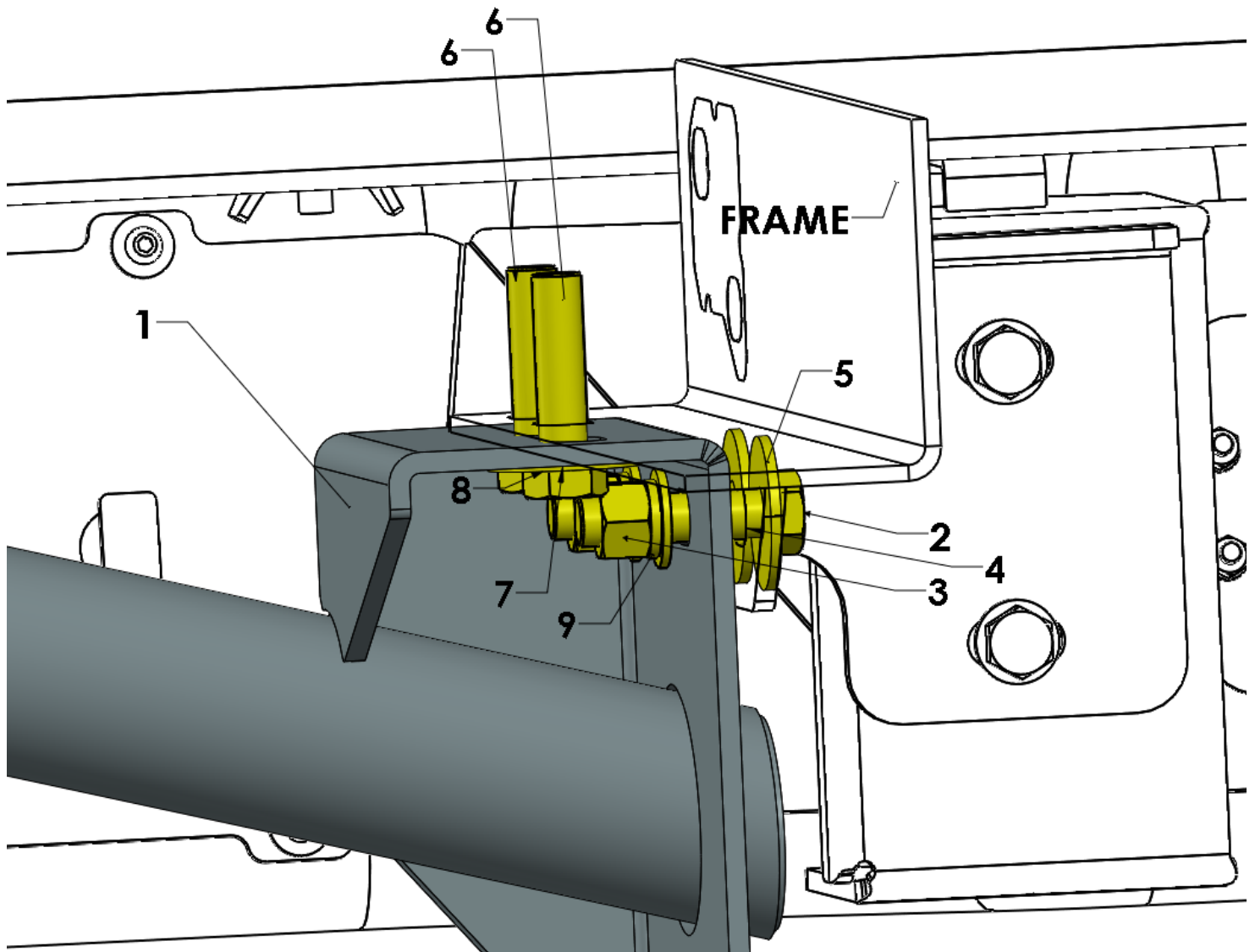
ANTI-SEIZE LUBRICANT MUST BE USED ON ALL STAINLESS STEEL FASTENERS TO PREVENT THREAD DAMAGE AND GALLING

ITEM 1



PROCEDURE

1. Remove contents from box, verify if all parts listed are present and free from damage.
Carefully read and understand all instructions before attempting installation.
Failure to identify damage before installation could lead to a rejection of any claim.



2. Using items 6-8, bolt on bumper to the frame of the truck. Do not tighten bolts yet. Then using the rest of the hardware arranged according to the diagram above, fasten hitch to the main bracket of your Outlaw rear bumper.
3. Torque M12 bolts to 50-55 ft-lbs.
4. Torque M14 hardware to 90-100 ft-lbs.

INSTALLATION COMPLETE



Shown with a
Westin Drop Down
Ball Mount.
(Not Included)



CARE INSTRUCTIONS

- REGULAR WAXING IS RECOMMENDED. DO NOT USE ANY TYPE OF POLISH OR WAX THAT MAY CONTAIN ABRASIVES.
- STAINLESS STEEL PRODUCTS CAN BE CLEANED WITH MILD SOAP AND WATER. STAINLESS STEEL POLISH SHOULD BE USED TO POLISH SMALL SCRATCHES.
- GLOSS BLACK FINISHES SHOULD BE CLEANED WITH MILD SOAP AND WATER.

WESTIN Westin Automotive Products, Inc.
320 W. Covina Blvd
San Dimas, Ca. 91773

Thank you for choosing Westin products
for additional installation assistance please call
Customer Service (800) 793-7846
www.westinautomotive.com



WARNING



Failure to follow these instructions could lead to death, personal injury, and / or property damage.

FASTENERS:

All Westin supplied fasteners must be utilized and installed in accordance with the installation instructions and apply torque to the specifications as defined. **DOUBLE CHECK ALL FASTENERS BEFORE INITIAL USE, AND PERIODICALLY IN THE FUTURE TO ENSURE PROPER FUNCTION AND SAFETY.**

DRILLING:

Most Westin products do not require drilling for installation. If drilling is defined as required, use caution when drilling a vehicle. **FAILURE TO REVIEW AN AREA TO BE DRILLED MAY RESULT IN PERSONAL INJURY AND/OR INJURY TO OTHERS AS WELL AS VEHICLE DAMAGE.**

EYE PROTECTION:

ALWAYS WEAR SAFETY GLASSES OR GOGGLES DURING THE INSTALLATION PROCESS TO AVOID PERSONAL INJURY.

MAXIMUM TOWING/CARRYING CAPACITY:

The Westin Receiver Hitches will have a visible tow rating label affixed directly on the product. User should never exceed the vehicle manufacturers maximum tow and weight rating regardless of the capacity of the hitch. **FAILURE TO FOLLOW THESE GUIDELINES WILL VOID THE WESTIN WARRANTY AND MAY RESULT IN PERSONAL INJURY AND/OR INJURY TO OTHERS AS WELL AS VEHICLE DAMAGE.**