



SIGNATURE OF QUALITY

AUTOMOTIVE PRODUCTS, INC.

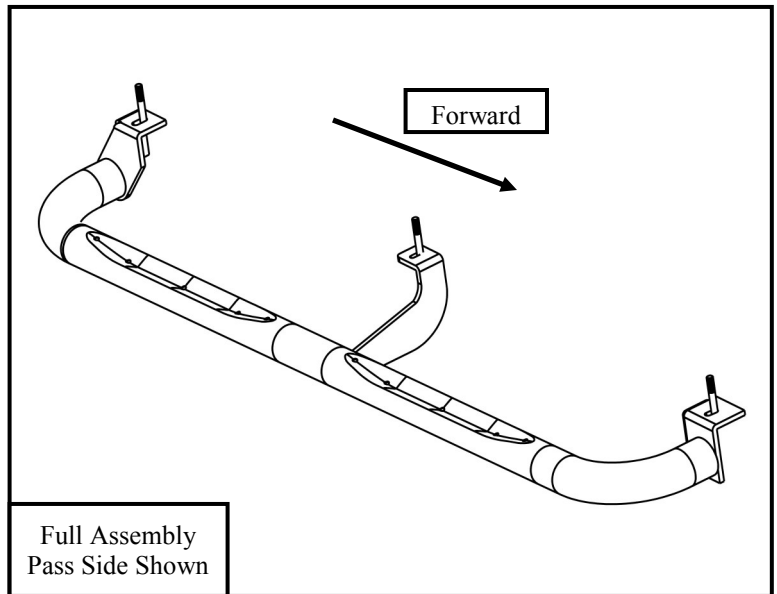
# INSTALLATION INSTRUCTIONS

APPLICATION: STEP BAR / 2005-2011 DODGE DAKOTA QUAD CAB  
APP PART # 23-2790, 23-2795

ITEM	QUANTITY	DESCRIPTION	TOOLS NEEDED
1	1	DRIVER STEP BAR ASSEMBLY	3/4" SOCKET
2	1	PASSENGER STEP BAR ASSEMBLY	18MM SOCKET
3	2	FRONT MOUNTING BRACKETS	RATCHET
4	2	CENTER MOUNTING BRACKETS	TORQUE WRENCH
5	2	REAR MOUNTING BRACKETS	
6	6	M12 HEX HEAD BOLTS	
7	4	1/2" HEX HEAD BOLTS	
8	10	1/2" FLAT WASHERS	
9	10	1/2" LOCK WASHERS	
10	2	3/8" HEX HEAD BOLT	
11	2	3/8" FLAT WASHERS	
12	2	3/8" LOCK WASHERS	

### ANTI-SEIZE LUBRICANT MUST BE USED ON ALL STAINLESS STEEL FASTENERS TO PREVENT THREAD DAMAGE AND GALLING

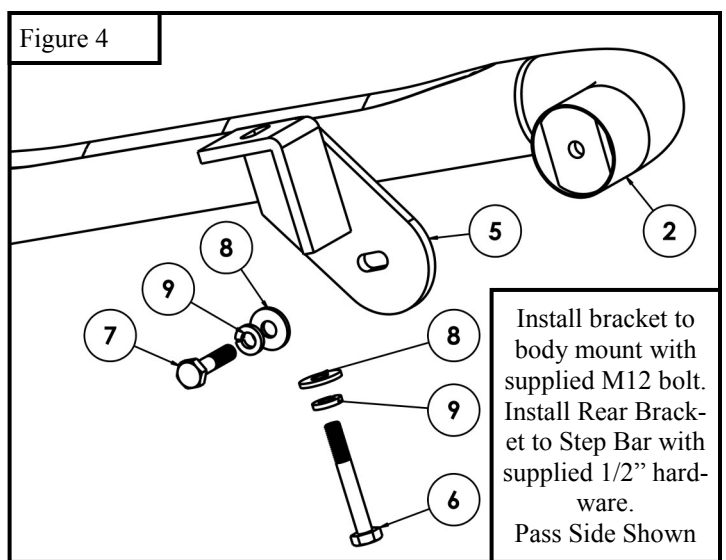
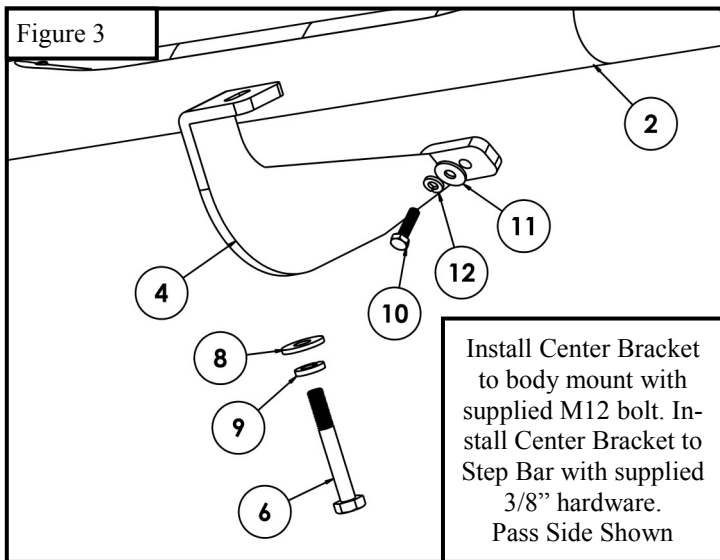
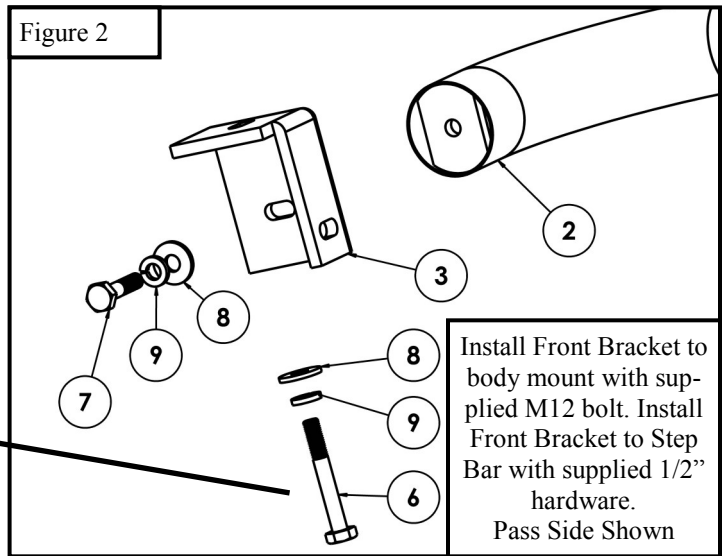
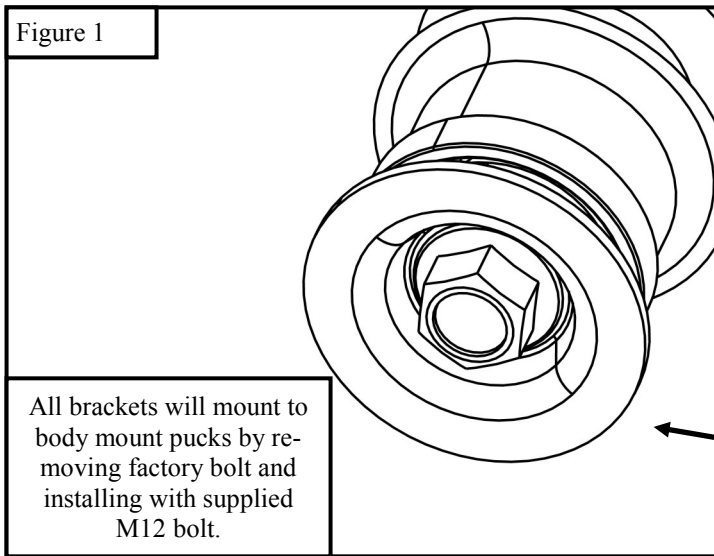
1. Remove contents from box, verify all parts listed are present and free from damage. Carefully read and understand all instructions before attempting installation. NOTE: No Drilling Required.
2. Remove 6 existing body mount bolts. SEE FIGURE 1
3. Install the front, center and rear brackets to the body mounts by replacing the factory bolts with (1) M12-1.75 x 120mm hex head bolt, (1) 1/2" flat washer, (1) 1/2" lock washer per bracket. Do not tighten bolts at this time.
4. Attach the step bars to the front and rear brackets using (1) 1/2-13 x 1.75" hex head bolt, (1) 1/2" flat washer, (1) 1/2" lock washer per bracket, and hand tighten.
5. Attach the center brackets using the 3/8"-16x1.00" Hex Head Bolts, 3/8" Flat Washers/Lock Washers to the center of the step tube.
6. Align and Adjust as necessary then torque: M12 hardware to 50-55 ft-lbs., 1/2" hardware to 65 ft-lbs., and M8 hardware to 10ft-lbs.



Westin Automotive Products, Inc.  
320 Covina Blvd  
San Dimas, Ca. 91773

Thank You for choosing Westin products  
For Additional installation assistance please call  
Customer service (800) 793-7846

[www.westinautomotive.com](http://www.westinautomotive.com)



**CARE INSTRUCTIONS**

- REGULAR WAXING IS RECOMMENDED. DO NOT USE ANY TYPE OF POLISH OR WAX THAT MAY CONTAIN ABRASIVES.
- STAINLESS STEEL PRODUCTS CAN BE CLEANED WITH MILD SOAP AND WATER. STAINLESS STEEL POLISH SHOULD BE USED TO POLISH SMALL SCRATCHES.
- GLOSS BLACK FINISHES SHOULD BE CLEANED WITH MILD SOAP AND WATER.



Westin Automotive Products, Inc.  
320 Covina Blvd  
San Dimas, Ca. 91773

Thank You for choosing Westin products  
For Additional installation assistance please call  
Customer service (800) 793-7846  
www.westinautomotive.com