



INSTALLATION INSTRUCTIONS

B-Force Roof Mount 50" LED Light Bar Kit

APPLICATION:

2015-2019 Ford F150

2017-2019 Ford F250 / F350

2007-2019 Toyota Tundra

2005-2019 Toyota Tacoma

2008-2018 Dodge Ram 1500 / Classic 2019

2010-2019 Dodge Ram 2500/3500

2014-2018 Chevrolet Silverado / GMC Sierra 1500/ Limited 2019

2015-2019 Chevrolet Silverado / GMC Sierra 2500/3500 (Excl. Classic)

PART NUMBER:

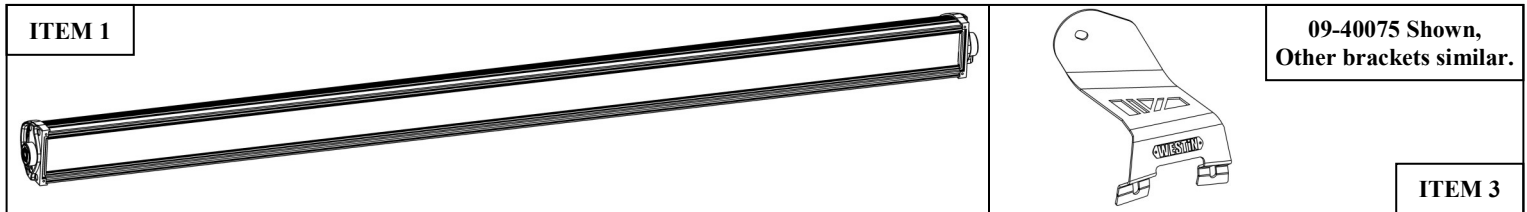
09-40015, 09-40025, 09-40045, 09-40075, 09-40085

AUTOMOTIVE PRODUCTS,

WESTIN STRONGLY RECOMMENDS USING A PROFESSIONAL FOR THIS INSTALLATION.

ITEM	QUANTITY	DESCRIPTION	TOOLS NEEDED
1	1	50" LED LIGHT BAR	13MM SOCKET
2	1	LED WIRING HARNESS	HEX KEY
3,4	2	MOUNT BRACKET, DRIVER (3) AND PASSENGER (4)	DRILL
5	2	M8 SOCKET HEX BOLT (BLACK)	FLATHEAD SCREWDRIVER
6	4	M8 BUTTON HEAD BOLT (BLACK)	
7	2	M8 LOCK WASHER (BLACK)	CARBIDE DRILL BITS (1/8" to 7/16")
8	4	M8 BELL PRESSURE WASHER (BLACK)	
9	2	LARGE M8 FLAT WASHER (BLACK)	TAPE MEASURE
10	4	M8 RIV-NUT (YELLOW ZINC)	MASKING TAPE
11	1	M8 HEX HEAD BOLT (BLACK ZINC)	RATCHET
12	1	M8 TOOTH LOCK WASHER (BLACK ZINC)	TORQUE WRENCH
13	1	FOAM TAPE	
14	1	RIVCERT INSTALL TOOL	

ANTI-SEIZE LUBRICANT MUST BE USED ON ALL STAINLESS STEEL FASTENERS TO PREVENT THREAD DAMAGE AND GALLING



PROCEDURE

DUE TO THE DIFFICULTY OF DRILLING AND INSTALLING RIVET NUTS

WESTIN STRONGLY RECOMMENDS USING A PROFESSIONAL FOR THIS INSTALLATION.

1. Remove contents from box, verify if all parts listed are present and free from damage. Carefully read and understand all instructions before attempting installation.
Failure to identify damage before installation could lead to a rejection of any claim.
2. Carefully follow installation instructions.
Failure to follow installation instructions could lead to a rejection of any claim.

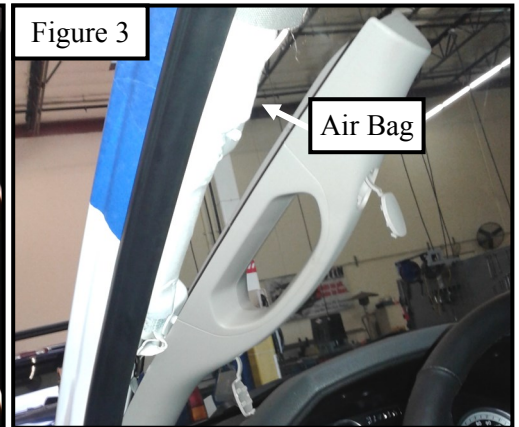
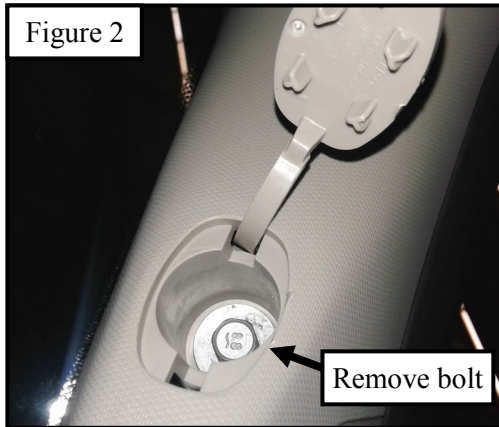
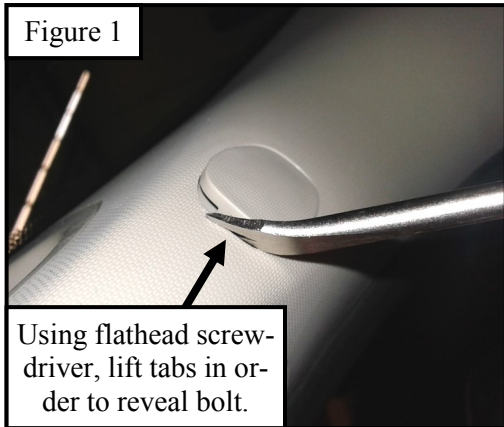


Westin Automotive Products, Inc.
320 W. Covina Blvd
San Dimas, Ca. 91773

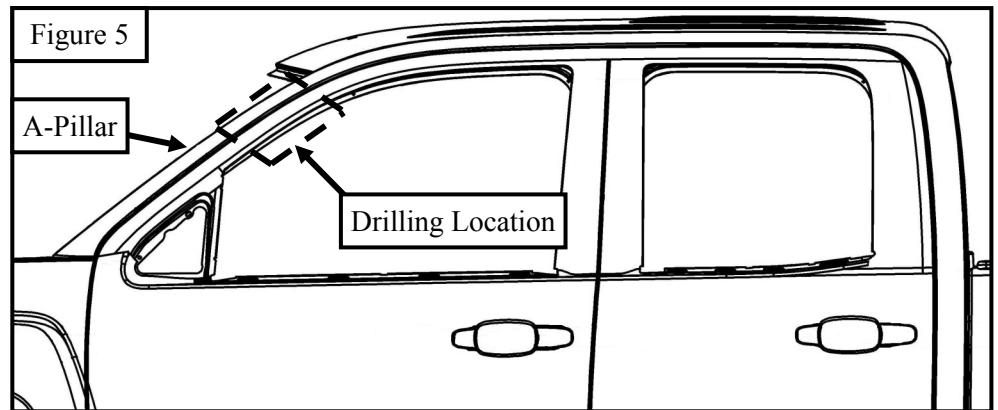
Thank you for choosing Westin products
for additional installation assistance please call
Customer Service (800) 793-7846
www.westinautomotive.com

IMPORTANT: Steps 3 - 4 are instructions on how to check location of the vehicle's air bags that may be located along the A-pillar. This is to prevent drilling through the air bag when drilling the A-pillar.

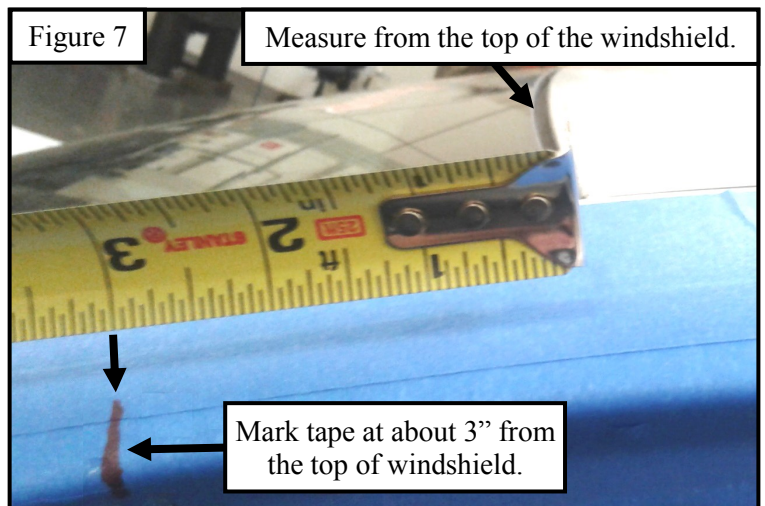
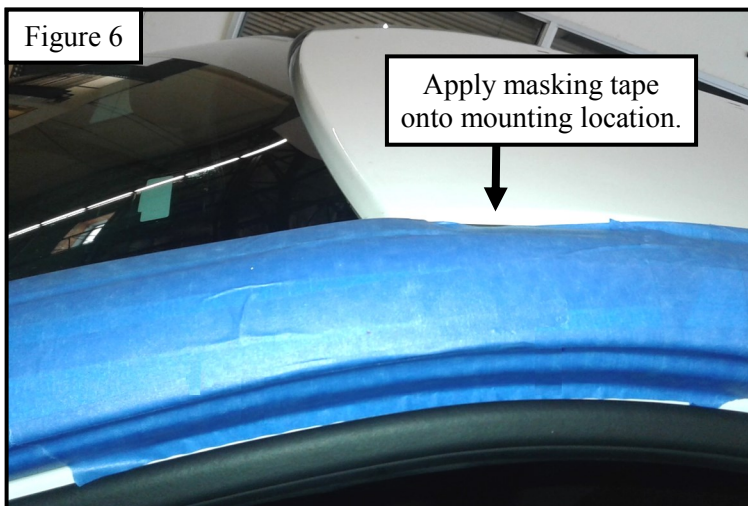
- Starting on the driver side, using a flathead screwdriver lift up plastic tabs in order to remove the factory bolts under the plastic tabs and remove the vehicles plastic cover. See **Figures 1 - 3**.



- Underneath the vehicles plastic cover locate the air bag. See **Figures 3 - 4**. Proceed to **Steps 5 - 8** in order to mark the mount location. Before drilling the a-pillar, make sure that the air bag will not be in the way of drilling.



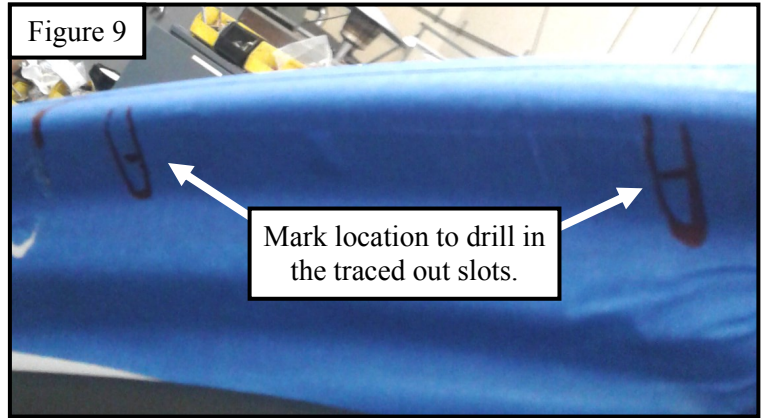
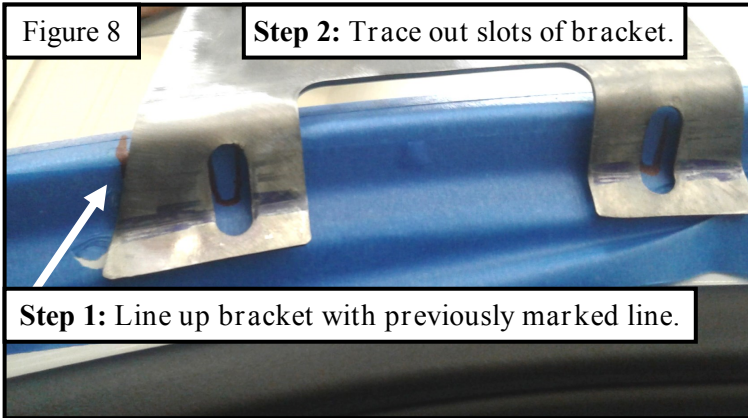
- Apply masking tape onto the mount bracket mounting location on the A-Pillar. See **Figures 6 - 7**.
- Using a tape measure, measure the distance from the top of the windshield. Mark the masking tape at a distance of about 3". See **Figure 7**.



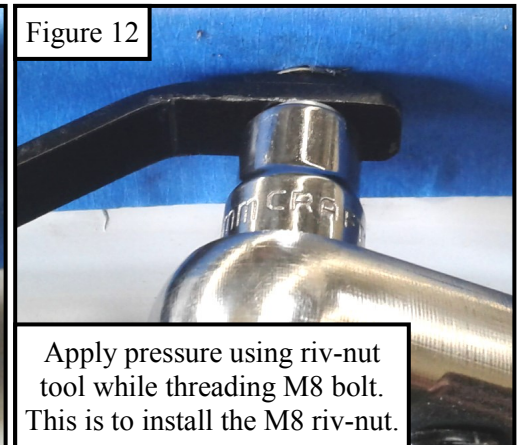
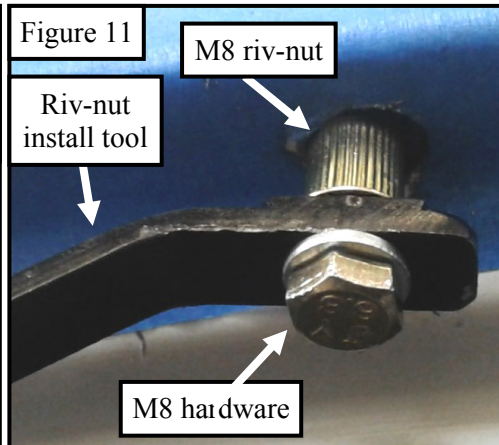
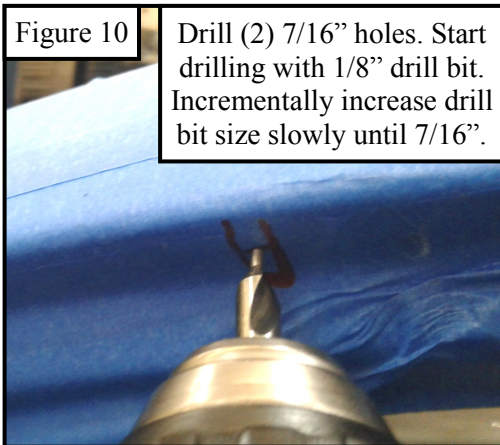
Westin Automotive Products, Inc.
320 W. Covina Blvd
San Dimas, Ca. 91773

Thank you for choosing Westin products
for additional installation assistance please call
Customer Service (800) 793-7846

7. Locate (1) mount bracket and align the front side with the recently marked line on the masking tape. Trace out the slots of the mount bracket onto the tape. See **Figure 8**.
8. Mark location inside the recently traced out bracket slots and mark location to drill. See **Figure 9**.
Note: Again make sure not to drill through air bag.
9. Repeat **Steps 3 - 8** for passengers side.
10. With assistance test fit the light bar and bracket assembly to ensure the holes are located correctly before drilling.



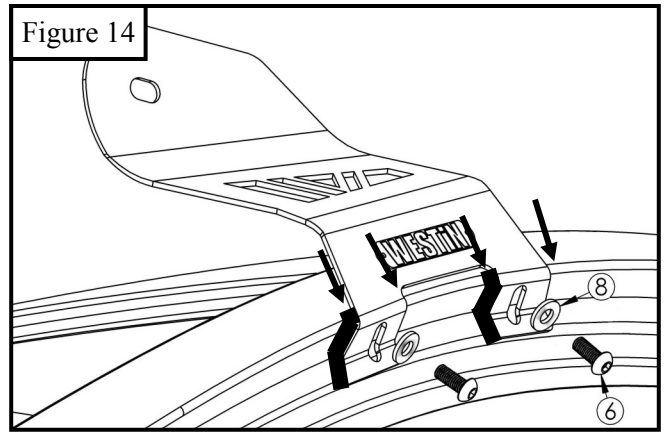
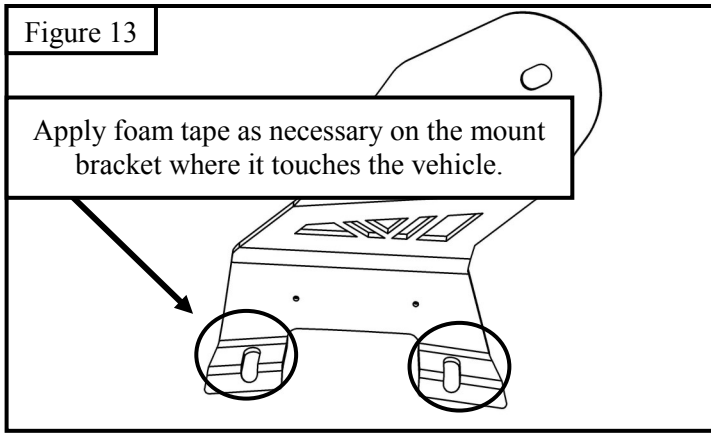
11. **Note: A-Pillars have high strength steel under the body. It is important to follow the following drilling instructions.** It is recommended to use carbide drill bits, drill (2) 7/16" holes at the previously marked locations. Start drilling using a 1/8" drill bit. Then increase the size of the drill bit by small increments until 7/16" drill bit. See **Figure 10**.
Note: The vehicle body has a different angle than the high strength steel bar underneath it. Be careful and drill straight through the vehicle body and the steel at low speed. Carbide drill bits are used due to the high strength steel.
12. Locate (1) M8 riv-nut, (1) M8 hex head bolt, (1) M8 tooth lock washer, and the provided riv-nut install tool. See **Figure 11** to see the installation set up.
13. Inert riv-nut into hole and thread the M8 hex head bolt while simultaneously applying pressure with the riv-nut install tool in order to install the M8 riv-nut. See **Figures 11 and 12**.



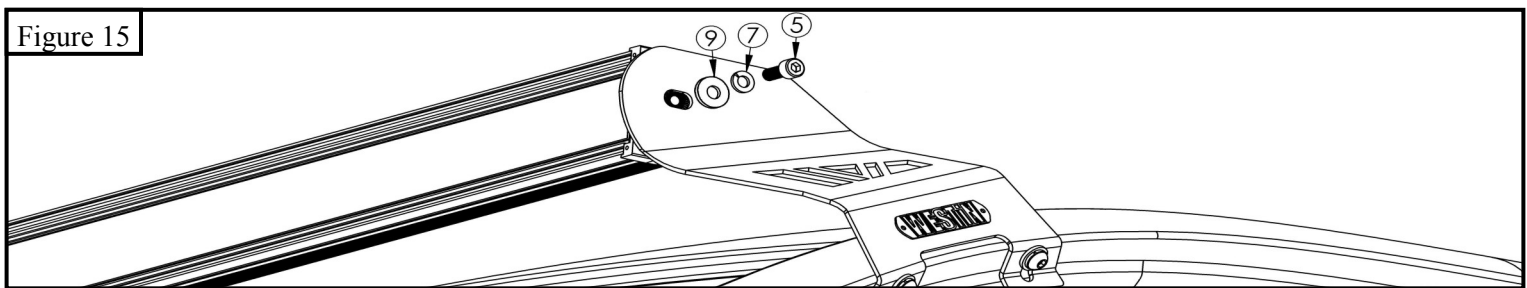
14. Remove the masking tape. Locate the provided foam tape and apply on any location that the mount brackets touch. See **Figure 13**.
15. Locate (1) mount bracket and loosely secure using (2) M8 button head bolts, (2) M8 bell pressure washers, See **Figure 14**.
16. Repeat **Steps 11 - 15** for passengers side.



Westin Automotive Products, Inc.
320 W. Covina Blvd
San Dimas, Ca. 91773



17. Locate the 50" LED light bar and with assistance loosely secure onto previously installed mount brackets using (2) M8 socket hex bolts, (2) large M8 flat washers, and (2) M8 lock washers. See **Figure 15**.
18. Align and adjust the 50" LED light bar and mount brackets as necessary and then tighten M8 hardware to 15 - 18 ft-lbs.
19. Add weather resistant silicone on each bracket at the edges of the 4 locations shown with 4 arrows at **figure 14**. This will help to close gaps created by the seal distortion over the brackets when the door closes.



WIRING INSTRUCTIONS:

CAUTION:

1. Disconnect ground connection from battery (-) to avoid accidental short circuits before attempting to connect electrical wires.
2. When running wires, avoid areas of excessive heat, vibration, pinch or rotation when securing harness to vehicle. Also, avoid running the wire through the door over the door seal. Doing that will create water leak inside your vehicle.
3. Always use a fused (+) positive supply source.
4. This light becomes hot under continuous use. Do not remove or touch the casting for at least 30 minutes after the lamp has been turned off.

WESTIN recommends using a professional for this installation.

Refer to Figure 16 on page 5.

1. Locate the wiring harness (Item 2) and mount the switch in a convenient location where it is easily accessible from the drivers seat. **Note:** *The switch will need to be removed from the wiring harness so that the rest of the harness can be routed from the engine bay to the cabin.*
2. Route the wiring harness wire, specifically the fuse and relay, from the positive battery terminal along the firewalls existing wire routes. **Note:** *Tape as necessary to correct slack.*
3. Secure the relay by either drilling or using a pre-existing bolt along the chassis that is not connected to any other wire.

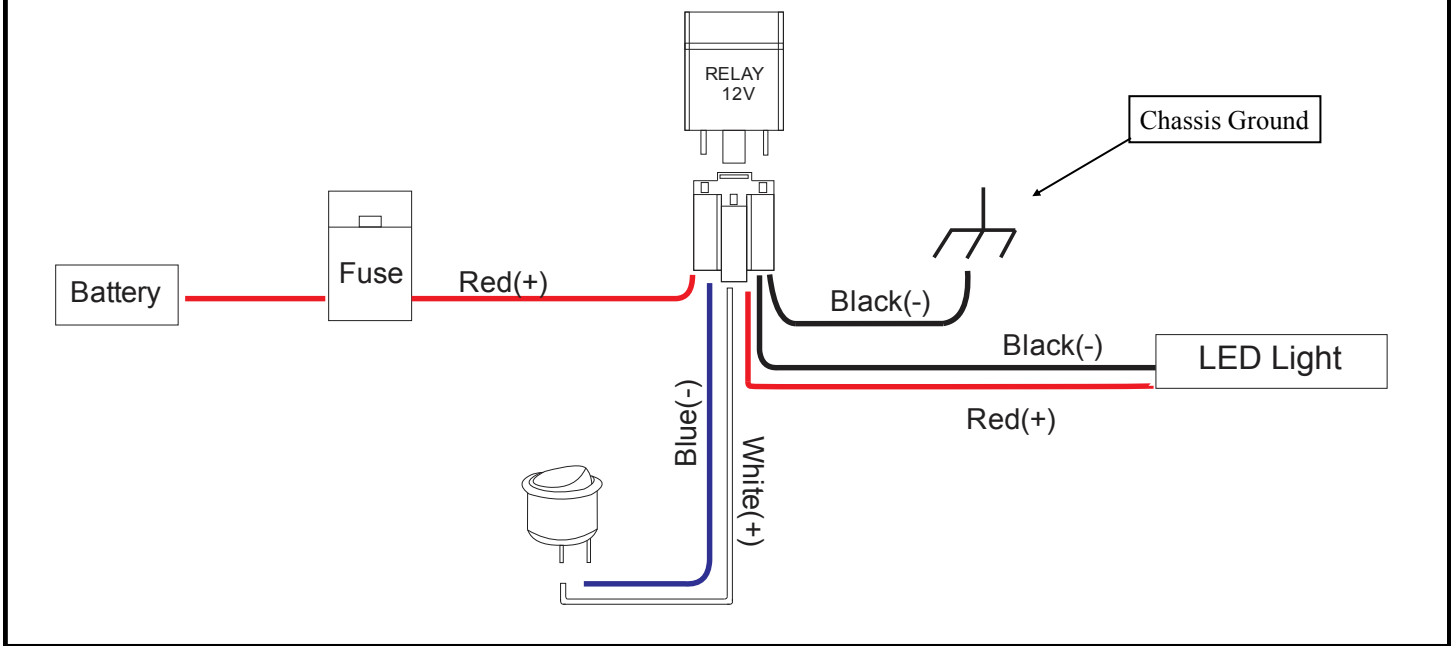


Westin Automotive Products, Inc.
320 W. Covina Blvd
San Dimas, Ca. 91773

Thank you for choosing Westin products
for additional installation assistance please call
Customer Service (800) 793-7846

5. Place the LED plug wire along the fender chassis where it will not get pinched and away from any moving parts (fan, pulleys etc.).
6. Run the attached wire from the LED Light Bar as previously mentioned away from any moving parts.
7. Connect both ends of wiring connectors from LED light bar and wiring harness.
8. Re-connect battery terminals, attach the red (+) wire to battery positive, and the black (-) wire to ground. **Note:** Add dielectric grease (not supplied).
9. Turn on the switch to make sure if the light works. If not, please check carefully if the wiring installation is correct.

Figure 16



INSTALLATION COMPLETE



Care Instructions

- REGULAR WAXING IS RECOMMENDED. DO NOT USE ANY TYPE OF POLISH OR WAX THAT MAY CONTAIN ABRASIVES.
- STAINLESS STEEL PRODUCTS CAN BE CLEANED WITH MILD SOAP AND WATER. STAINLESS STEEL POLISH SHOULD BE USED TO POLISH SMALL SCRATCHES.
- GLOSS BLACK FINISHES SHOULD BE CLEANED WITH MILD SOAP AND WATER.



Westin Automotive Products, Inc.
320 W. Covina Blvd
San Dimas, Ca. 91773

Thank you for choosing Westin products
for additional installation assistance please call
Customer Service (800) 793-7846

www.westinautomotive.com

Westin

SIGNATURE OF QUALITY

AUTOMOTIVE PRODUCTS, INC.



WARNING



Failure to follow these instructions could lead to death, personal injury, and / or property damage.

FASTENERS:

All Westin supplied fasteners must be utilized and installed in accordance with the installation instructions and apply torque to the specifications as defined. **DOUBLE CHECK ALL FASTENERS BEFORE INITIAL USE, AND PERIODICALLY IN THE FUTURE TO ENSURE PROPER FUNCTION AND SAFETY.**

DRILLING:

Most Westin products do not require drilling for installation. If drilling is defined as required, use caution when drilling a vehicle. **FAILURE TO REVIEW AN AREA TO BE DRILLED MAY RESULT IN PERSONAL INJURY AND/OR INJURY TO OTHERS AS WELL AS VEHICLE DAMAGE.**

EYE PROTECTION:

ALWAYS WEAR SAFETY GLASSES OR GOGGLES DURING THE INSTALLATION PROCESS TO AVOID PERSONAL INJURY.

MAXIMUM TOWING/CARRYING CAPACITY:

The Westin Receiver Hitches will have a visible tow rating label affixed directly on the product. User should never exceed the vehicle manufacturers maximum tow and weight rating regardless of the capacity of the hitch. **FAILURE TO FOLLOW THESE GUIDELINES WILL VOID THE WESTIN WARRANTY AND MAY RESULT IN PERSONAL INJURY AND/OR INJURY TO OTHERS AS WELL AS VEHICLE DAMAGE.**

Westin
SIGNATURE OF QUALITY

Westin Automotive Products, Inc.
320 W. Covina Blvd
San Dimas, Ca. 91773