

# INSTALLATION INSTRUCTIONS

## HYPERQ LED LIGHT



APPLICATION:  
Universal Fit

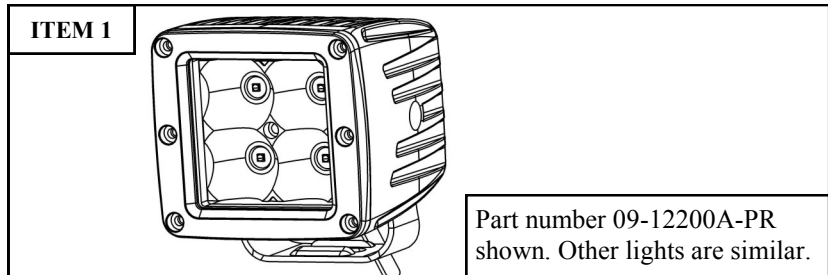
PART NUMBER:  
09-12200A-PR, 09-12205A-PR, 09-12200B-PR, 09-12205B-PR

ITEM	QUANTITY	DESCRIPTION	TOOLS NEEDED
1	2	HYPER Q LED LIGHT	HEX KEY
2	1	LED WIRING HARNESS	
3	2	M8 HEX SOCKET HEAD CAP SCREW	
4	2	M8 HEX NUT	
5	2	M8 FLAT WASHER	
6	2	M8 SPRING LOCK WASHER	
7	4	M6 HEX LOCK NUT	
8	4	M6 HEX SOCKET HEAD CAP SCREW	

**ANTI-SEIZE LUBRICANT MUST BE USED ON ALL STAINLESS STEEL FASTENERS TO PREVENT THREAD DAMAGE AND GALLING**

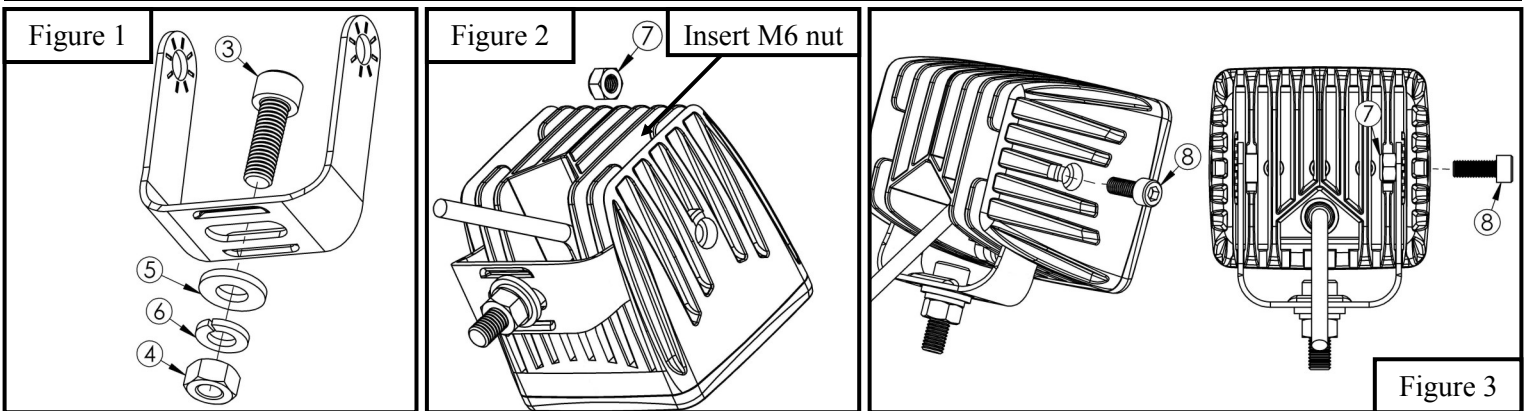
### CAUTION:

- Check with state and local authorities for laws governing usage and proper mounting of auxiliary lamps.
- Keep heat sink clean and exposed to maintain air-flow.



### PROCEDURE

1. Remove contents from box, verify if all parts listed are present and free from damage. Carefully read and understand all instructions before attempting installation.  
**Failure to identify damage before installation could lead to a rejection of any claim.**
2. Start installation by loosely securing the HYPERQ bracket with (1) M8 hex socket head cap screw, (1) M8 hex nut, (1) M8 spring lock washer, (1) M8 flat washer. See **Figure 1**.
3. Align the holes of the bracket with the LED light then insert (1) M6 hex lock nut into light slot. See **Figure 2**. **Note:** Make sure to have the rubber end of the M6 hex lock nut point away from hole on the side of the light. Loosely secure light bracket to LED light using (1) M6 hex socket head cap screw. See **Figure 3**. Repeat for other side of the light.



**WESTIN** Westin Automotive Products, Inc.  
320 W. Covina Blvd  
San Dimas, Ca. 91773

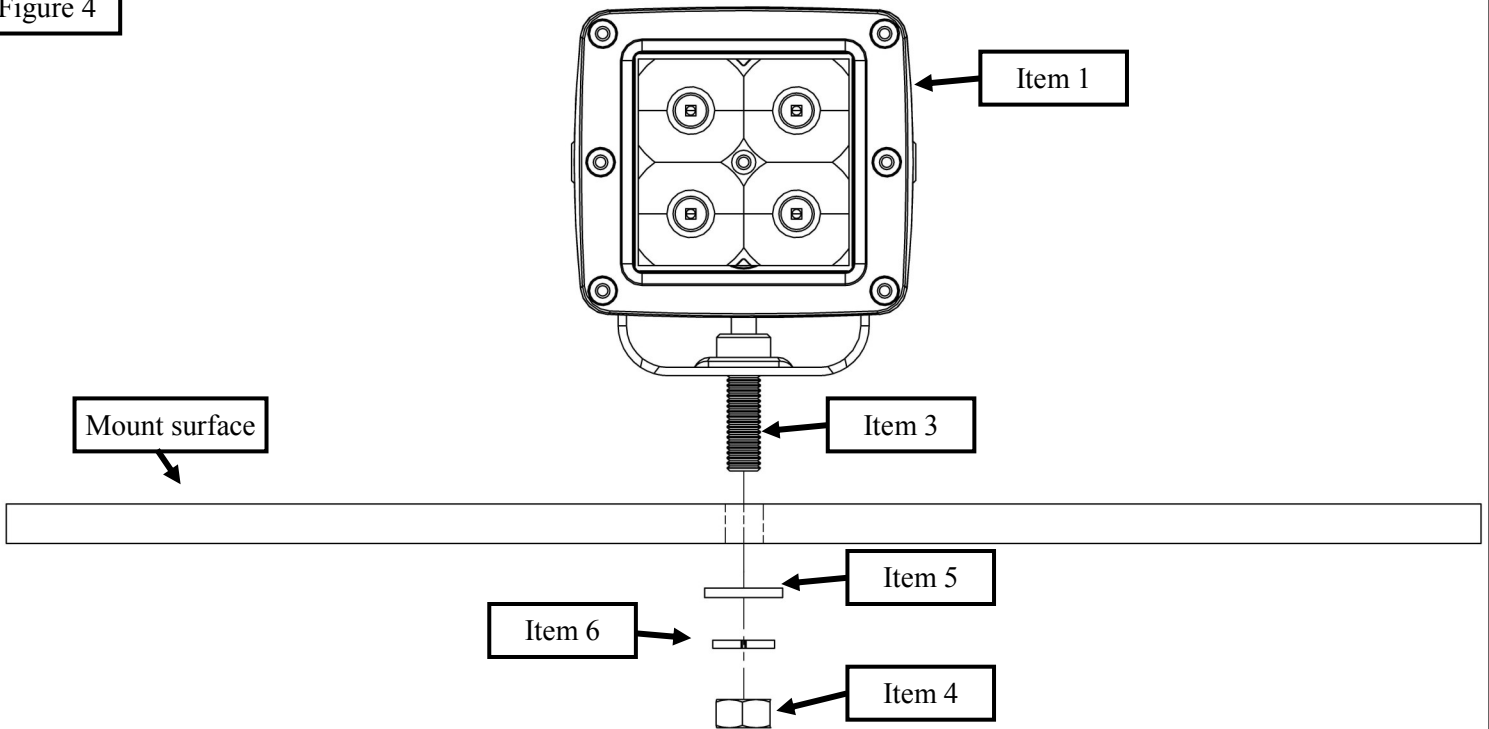
Thank you for choosing Westin products  
for additional installation assistance please call  
Customer Service (800) 793-7846

www.westinautomotive.com

DATE: 4/4/18

4. Repeat **Steps 2 - 3** for second HyperQ LED Light.
5. Find an appropriate mounting surface and apply painters tape to help prevent painted surfaces from scratching. Carefully place the Hyper Q LED Light with the bracket on the surface. Using a marker draw an outline on the surface around the light bracket. Remove the LED Light from the bracket and reposition the bracket on the outline and place a mark with a punch through the holes on the bottom of the light bracket.
6. Using a drill and a 11/32 drill bit, drill through the previously marked holes. **Note:** When drilling ensure that there are no electrical wires on the other side of drilling surface.
7. Install the LED Light on the light bracket using the same hardware as previously listed in **Step 3**. Remove the painters tape and align the mounts to the drilled holes.
8. Secure light to surface using (1) M8 hex socket head cap screw, (1) M8 hex nut, (1) M8 spring lock washer and (1) M8 flat washer. See **Figure 4**.
9. Align the light to a desired position and torque all M8 hardware to 15-18 ft-lbs.

Figure 4



#### WIRING INSTRUCTIONS:

##### CAUTION:

1. Disconnect ground connection from battery (-) to avoid accidental short circuits before attempting to connect electrical wires.
2. When running wires, avoid areas of excessive heat, vibration, pinch or rotation when securing harness to vehicle.
3. Always use a fused (+) positive supply source.
4. This light becomes hot under continuous use. Do not remove or touch the casting for at least 30 minutes after the lamp has been turned off.

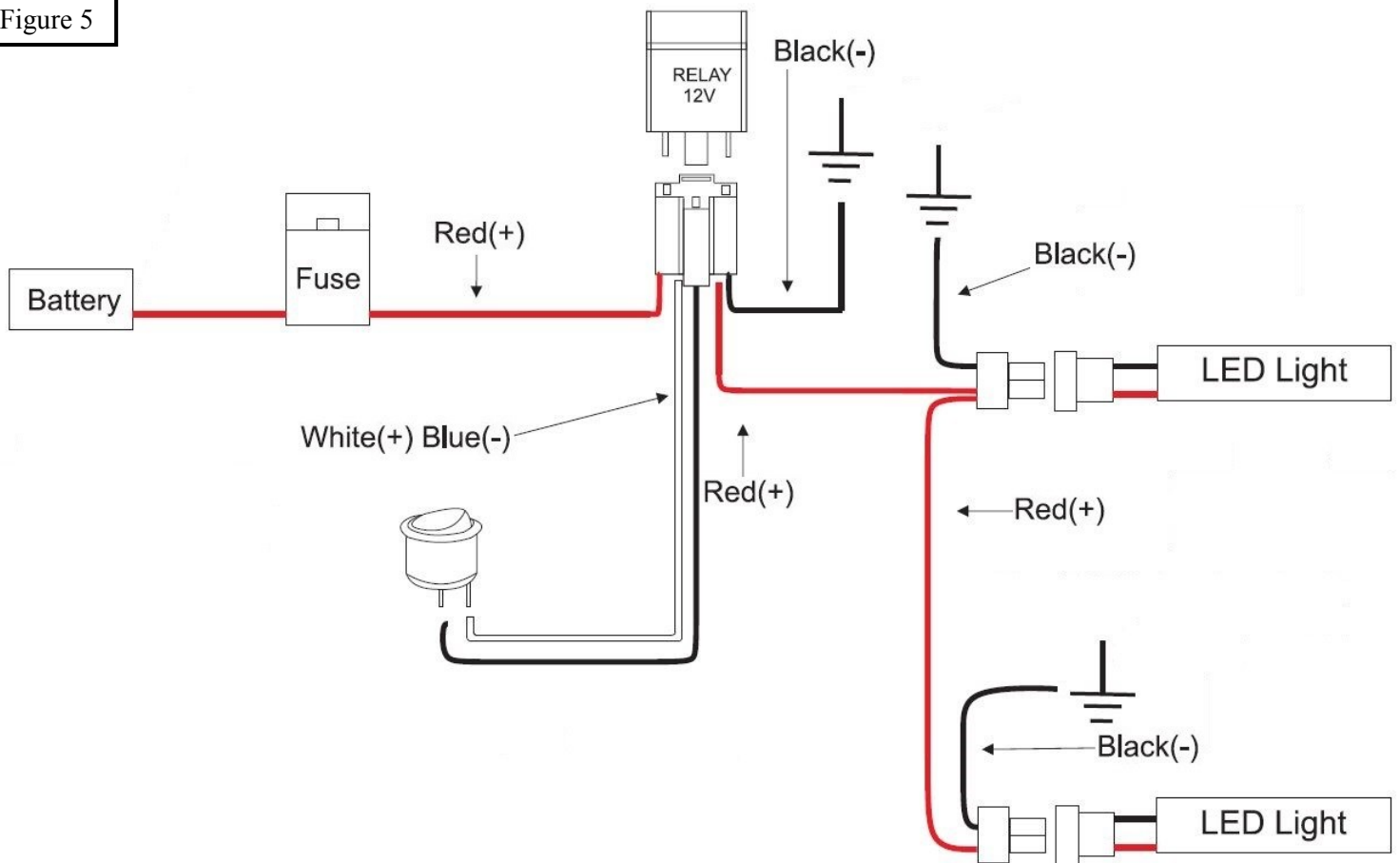
**WESTIN recommends using a professional for this installation.**

**Refer to Figure 5 on page 3.**

## WIRING INSTRUCTIONS CONTINUED:

1. Locate the wiring harness (Item 2) and mount the switch in a convenient location where it is easily accessible from the drivers seat. **Note:** *The switch will need to be removed from the wiring harness so that the rest of the harness can be routed from the engine bay to the cabin.*
2. Route the wiring harness wire, specifically the fuse and relay, from the positive battery terminal along the firewalls existing wire routes. **Note:** *Tape as necessary to correct slack.*
3. Secure the relay by either drilling or using a pre-existing bolt along the chassis that is not connected to any other wire.
4. Run the switch harness through the firewall preferably through the pre-existing rubber plug that is used to run the OEM wiring harness from the engine bay to fuse box. **Note:** *Reconnect the switch to the wiring harness.*
5. Place the LED plug wire along the fender chassis where it will not get pinched and away from any moving parts (fan, pulleys etc.).
6. Run the attached wire from the LED Light Bar as previously mentioned away from any moving parts.
7. Connect both ends of wiring connectors from LED light bar and wiring harness.
8. Re-connect battery terminals, attach the red (+) wire to battery positive, and the black (-) wire to ground. **Note:** *Add dielectric grease (not supplied).*
9. Turn on the switch to make sure if the light works. If not, please check carefully if the wiring installation is correct.

Figure 5



## Care Instructions

- REGULAR WAXING IS RECOMMENDED. DO NOT USE ANY TYPE OF POLISH OR WAX THAT MAY CONTAIN ABRASIVES.
- STAINLESS STEEL PRODUCTS CAN BE CLEANED WITH MILD SOAP AND WATER. STAINLESS STEEL POLISH SHOULD BE USED TO POLISH SMALL SCRATCHES.
- GLOSS BLACK FINISHES SHOULD BE CLEANED WITH MILD SOAP AND WATER.



## WARNING



Failure to follow these instructions could lead to death, personal injury, and / or property damage.

### FASTENERS:

All Westin supplied fasteners must be utilized and installed in accordance with the installation instructions and apply torque to the specifications as defined. **DOUBLE CHECK ALL FASTENERS BEFORE INITIAL USE, AND PERIODICALLY IN THE FUTURE TO ENSURE PROPER FUNCTION AND SAFETY.**

### DRILLING:

Most Westin products do not require drilling for installation. If drilling is defined as required, use caution when drilling a vehicle. **FAILURE TO REVIEW AN AREA TO BE DRILLED MAY RESULT IN PERSONAL INJURY AND/OR INJURY TO OTHERS AS WELL AS VEHICLE DAMAGE.**

### EYE PROTECTION:

**ALWAYS WEAR SAFETY GLASSES OR GOGGLES DURING THE INSTALLATION PROCESS TO AVOID PERSONAL INJURY.**

### MAXIMUM TOWING/CARRYING CAPACITY:

The Westin Receiver Hitches will have a visible tow rating label affixed directly on the product. User should never exceed the vehicle manufacturers maximum tow and weight rating regardless of the capacity of the hitch. **FAILURE TO FOLLOW THESE GUIDELINES WILL VOID THE WESTIN WARRANTY AND MAY RESULT IN PERSONAL INJURY AND/OR INJURY TO OTHERS AS WELL AS VEHICLE DAMAGE.**