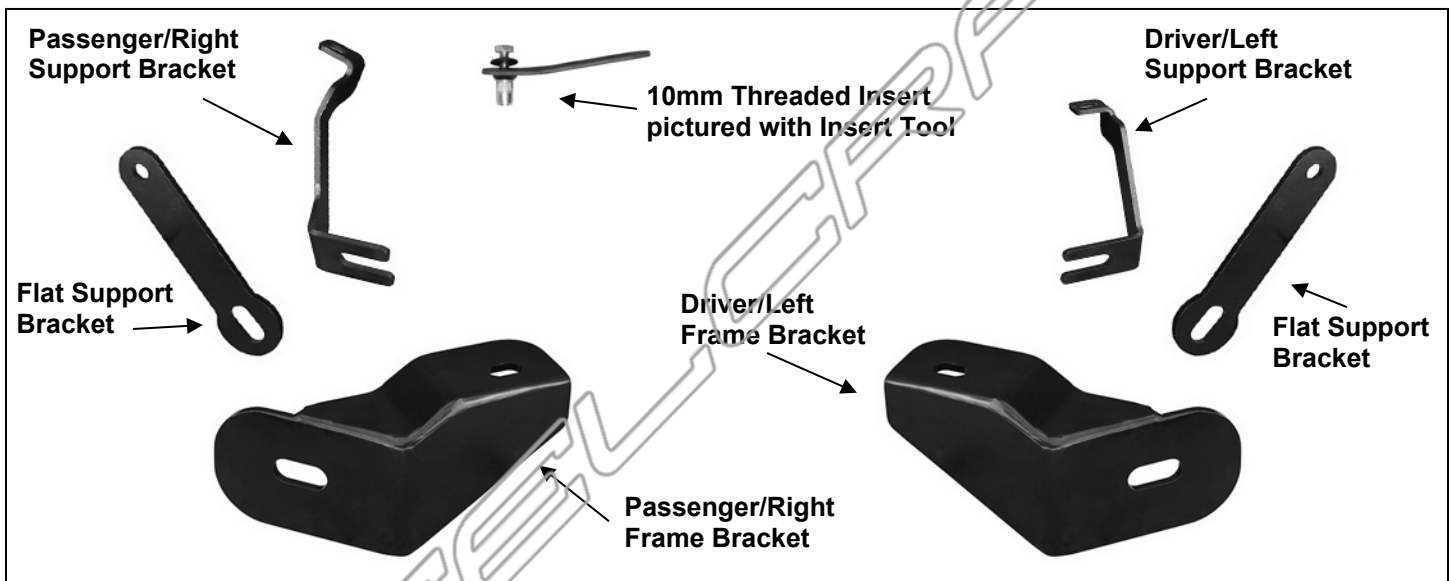


**PARTS LIST:**

Qty	Description	Qty	Description
1	2.5" Nudge Bar	2	10mm Threaded Inserts
1	Driver/Left Frame Mounting Bracket	1	10mm Insert Tool
1	Passenger/Right Frame Mounting Bracket	3	10-1.5 x 35mm Hex Bolts
1	Driver/Left Support Bracket	2	10mm x 30mm OD x 2.5mm Flat Washers
1	Passenger/Right Support Bracket	2	10mm Lock Washers
2	Flat Support Brackets	2	8-1.25 x 35mm Hex Bolt
2	3/8" Special Self Tapping Bolts	4	8mm x 28mm OD x 3mm Flat Washers
2	12-1.75 x 50mm Hex Bolts	2	8mm Lock Washers
2	12mm x 30mm OD x 3mm Flat Washers	2	8mm Hex Nuts
2	12mm Lock Washers		



**PROCEDURE:**

- 1. REMOVE CONTENTS FROM BOX. VERIFY ALL PARTS ARE PRESENT. READ INSTRUCTIONS CAREFULLY BEFORE STARTING INSTALLATION. CUTTING IS REQUIRED.**
- Start installation from under the front of the vehicle and remove the plastic splash guard, **(Figure 1)**. Pay close attention to the type and location of all factory hardware for reinstallation.
- Locate the factory hole in the cross member under the radiator, **(Figure 2)**. Select (1) Flat Support Bracket, **(Figure 3)**. Bolt the smaller end of the Support Bracket to the back of the cross member with (1) 8mm x 35mm Hex Bolt, (2) 8mm Flat Washers, (1) 8mm Lock Washer and (1) 8mm Hex Nut, **(Figure 4)**. Leave hardware loose at this time.
- Select the driver side Frame Mounting Bracket, **(Figure 5)**. Hold the Bracket up in position against the bottom of the frame cross member to help determine correct factory hole to use next, **(Figures 6 & 7)**. Line up the mounting hole in the Bracket with the hole in the cross member. Attach the Bracket to the cross member with (1) 3/8" Self Tapping Flange Bolt, **(Figure 7)**. Do not fully tighten Bolt at this time.
- Repeat **Steps 3 & 4** to install the passenger side Flat Support Bracket and Frame Bracket, **(Figures 8—10)**.

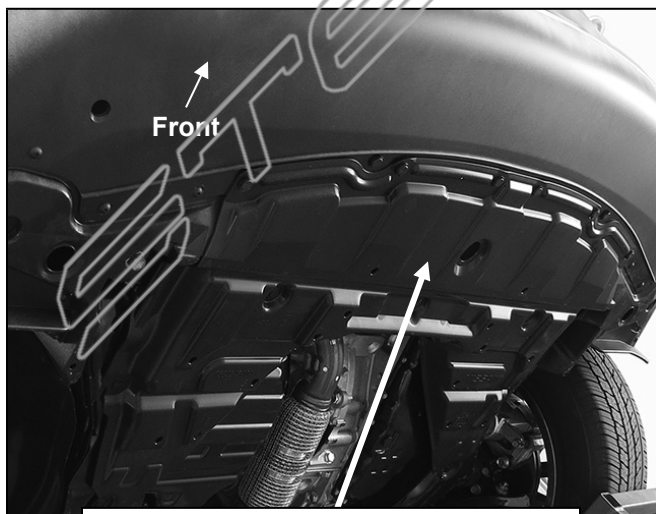
6. Next, select the driver side Bent Support Bracket, **(Figure 11)**. Hold the Bracket up in position to help locate the correct factory hole to attach it to, **(see Figures 7, 13A & 14)**. Select (1) 10mm Threaded Insert, (1) 10mm Hex Bolt, (1) 10mm Flat Washer and (1) 10mm Insert Tool. Assemble the Tool at pictured in **Figure 12**, Push the Tool and Insert assembly into the factory hole. **NOTE:** If Insert fits too tight, lightly tap it into place with a small hammer.
7. Firmly hold the handle on the Tool and tighten the hex bolt in the Insert until it is fully collapsed and locked in place, **(Figures 13A & 13B)**. **NOTE:** Do not over tighten the Insert or a pull out may occur. Once Insert is collapsed, remove the hex bolt and tool from the insert.
8. Attach the Support Bracket to the Threaded Insert with (1) 10mm Hex Bolt, (1) 10mm Lock Washer and (1) 10mm Flat Washer, **(Figure 14)**. Do not fully tighten hardware at this time.
9. Repeat **Steps 6—8** to install the passenger side Bent Support Bracket, **(Figures 10, 15—17)**.
10. With assistance, position the Sport Bar up to the Mounting Brackets. Attach the Sport Bar to the Brackets with (2) 12mm x 50mm Hex Bolts, (2) 12mm Lock Washers and (2) 12mm Flat Washers, **(Figure 18)**. Snug but do not tighten hardware.
11. Adjust and align the Sport Bar properly and tighten all hardware. Do not over-tighten 3/8" Self Tapping Flange Bolts, **(Figures 7 & 10)**.
12. Hold the plastic splash guard up against the bottom of the vehicle. Mark the Bracket location onto the back of the splash guard, **(Figure 19A)**. Cut out the marked area on both sides of the plastic cover with a sharp knife or hacksaw blade. **(Figure 19B)**. **IMPORTANT:** Cut as little from the splash guard as possible for best results. Re-install the splash guard using the factory fasteners.
13. Do periodic inspections to the installation to make sure that all hardware is secure and tight.

**To protect your investment**, wax this product after installing. Regular waxing is recommended to add a protective layer over the finish. Do not use any type of polish or wax that may contain abrasives that could damage the finish.

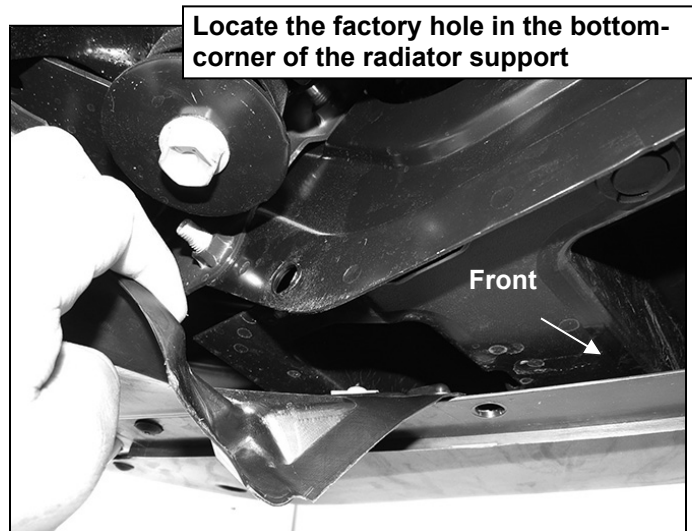
**For stainless steel:** Aluminum polish may be used to polish small scratches and scuffs on the finish. Mild soap may be used also to clean the Sport Bar.

**For gloss black finishes:** Mild soap may be used to clean the Sport Bar.

### Driver Side Installation Pictured

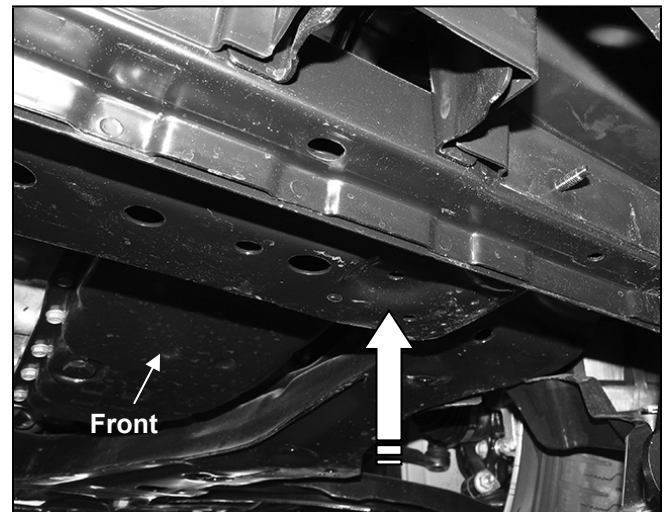
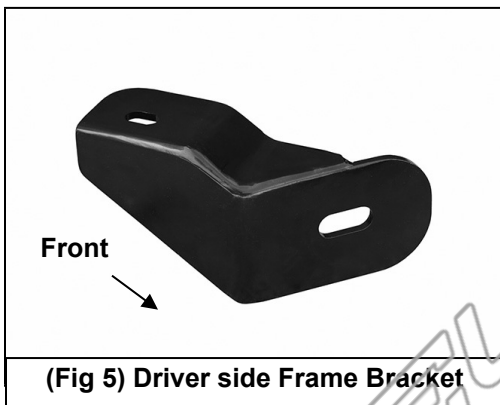
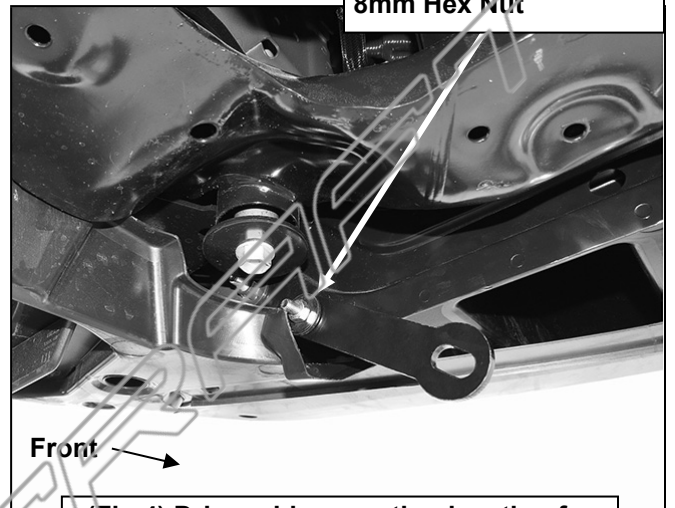
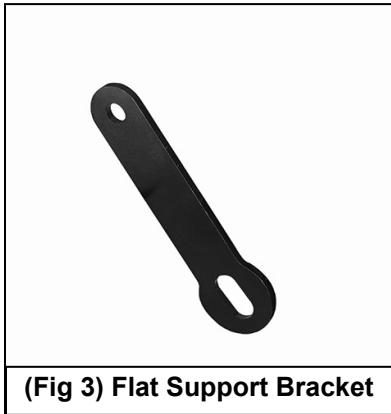


**(Fig 1) Remove plastic splash guard**



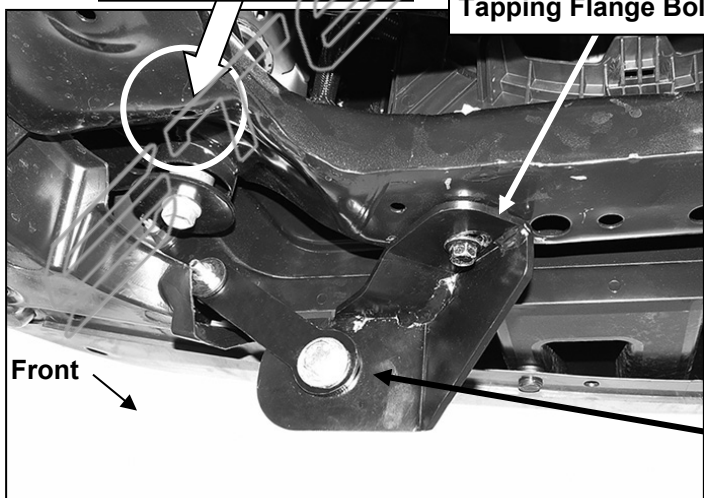
**(Fig 2) Back of driver side mounting location pictured from below**

8mm x 35mm Hex Bolt  
(2) 8mm Flat Washers  
8mm Lock Washer  
8mm Hex Nut



Use factory hole for Threaded Insert to install Support Bracket

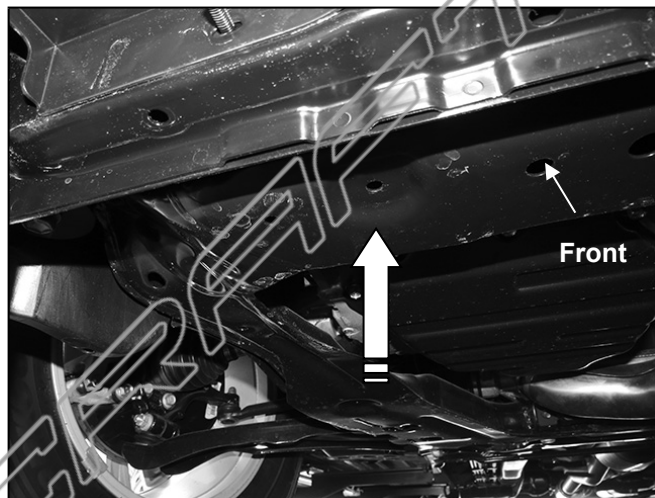
Special 3/8" Self Tapping Flange Bolt



Use 12mm Hex Bolt to temporarily line up Brackets before final assembly

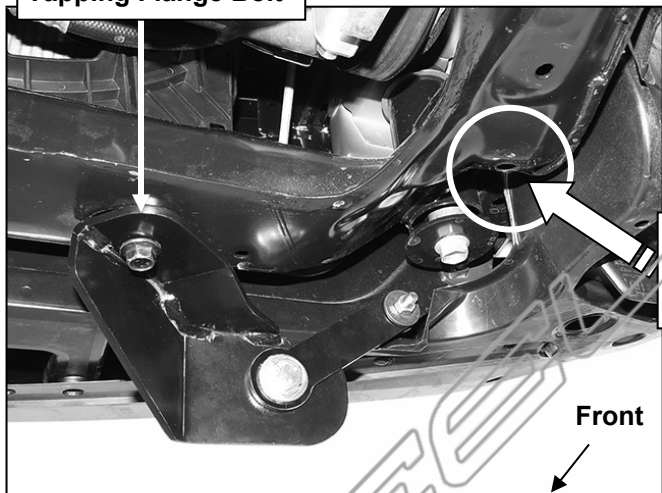


(Fig 8) Passenger Side Frame Bracket



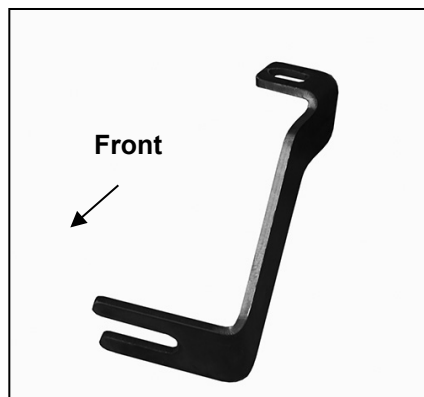
(Fig 9) Passenger Frame Bracket mounting location

Special 3/8" Self  
Tapping Flange Bolt

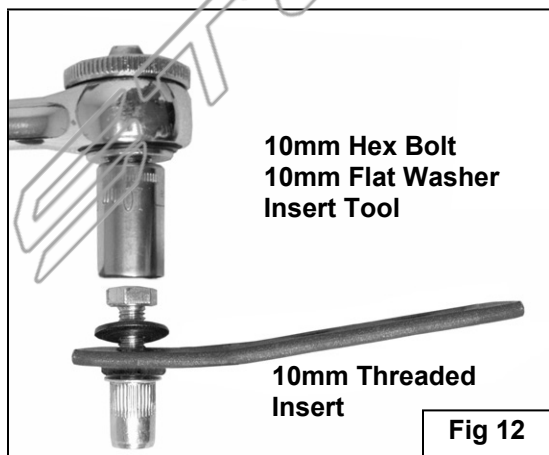


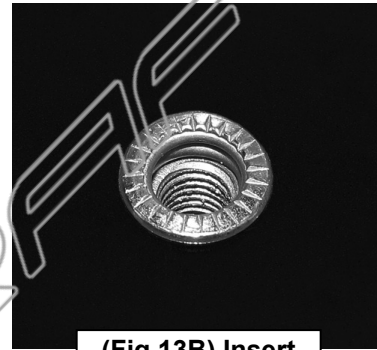
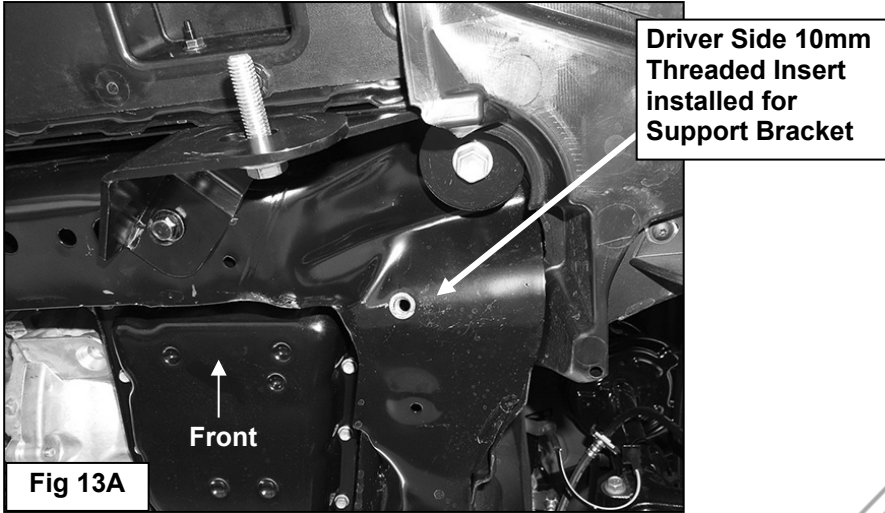
Use factory hole for  
Threaded Insert to  
install Support Bracket

(Fig 10) Passenger Frame and Flat Bracket installed

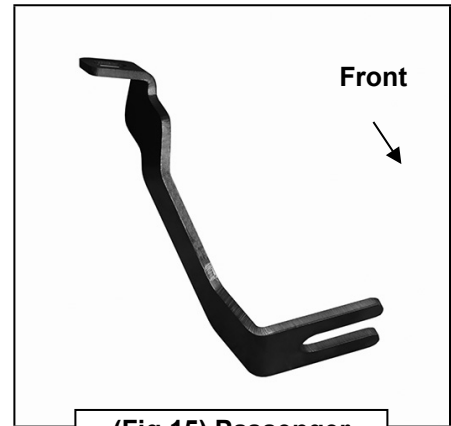
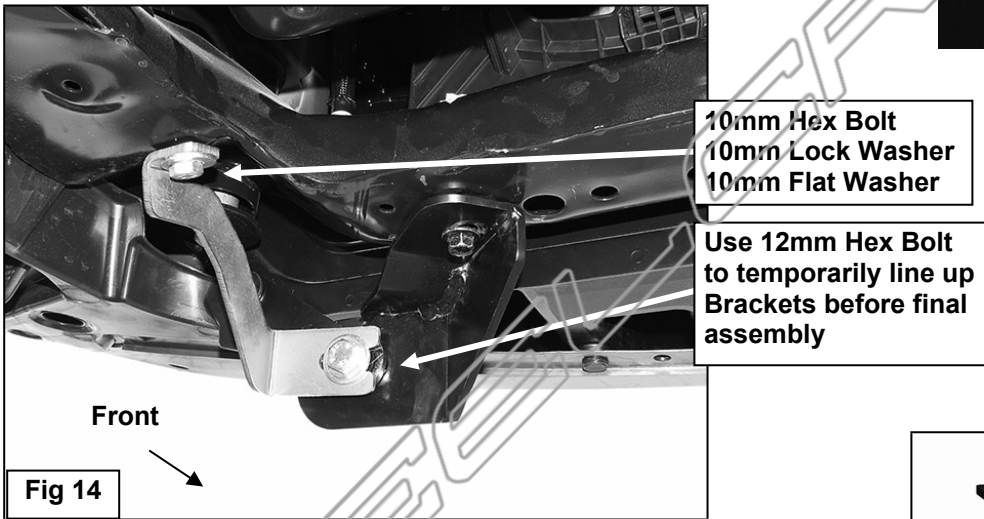


(Fig 11) Driver side Support Bracket

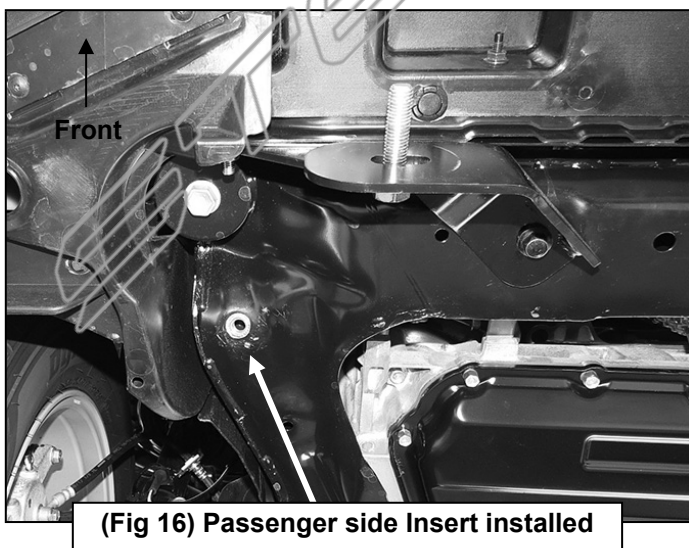




(Fig 13B) Insert fully installed



(Fig 15) Passenger side Support Bracket





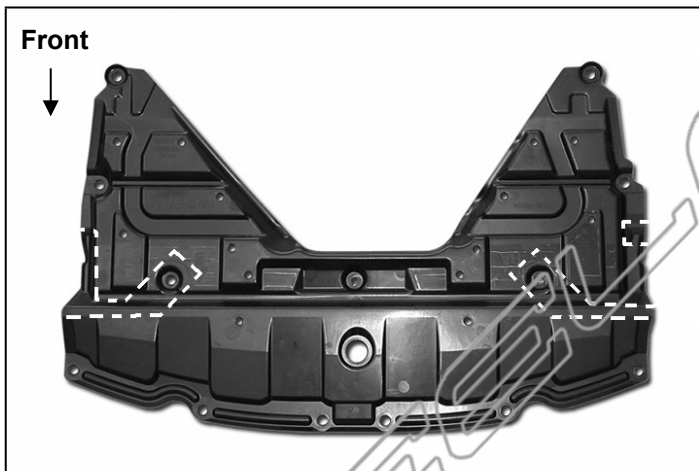
10mm Hex Bolt  
10mm Lock Washer  
10mm Flat Washer



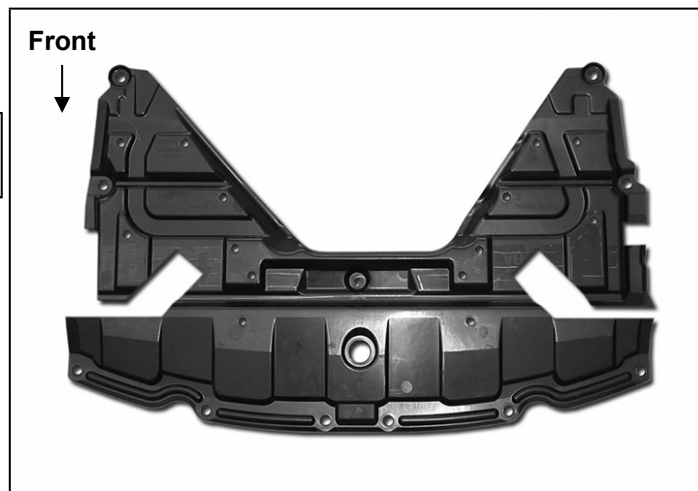
12mm Hex Bolt  
12mm Lock Washer  
12mm Flat Washer

(Fig 17) Passenger side Support Bracket installed

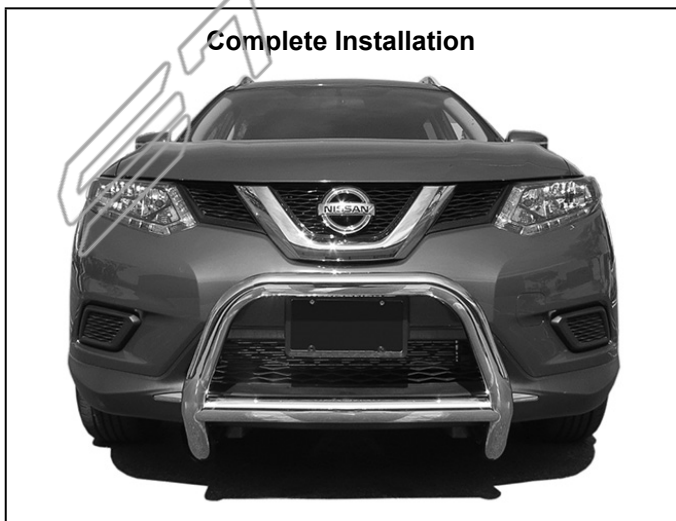
(Fig 18) Driver side installation pictured



(Fig 19A) Hold plastic cover up to bottom of brackets. Mark location of brackets onto inside of cover



(Fig 19B) Cut as little out of the cover as possible to clear Brackets. Cut out sections illustrated above for example only. Actual cuts may be different



Complete Installation