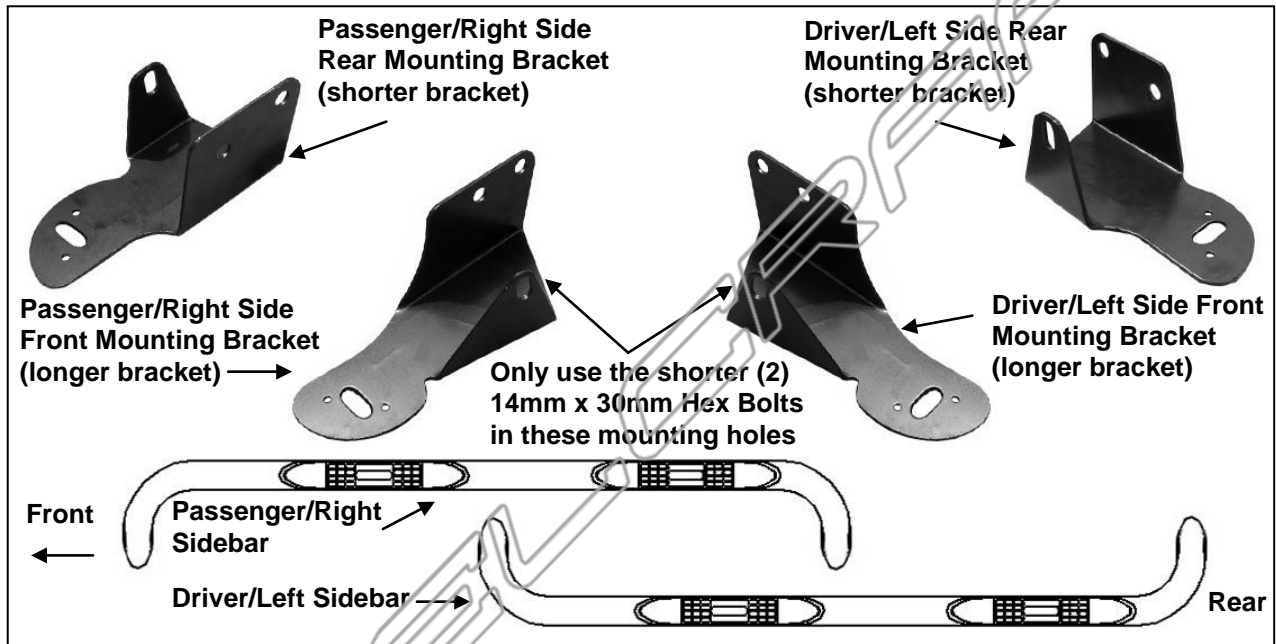


PARTS LIST:

1	Driver/Left Sidebar	4	1/2" x 1-1/2" OD x 1/8" Flat Washers
1	Passenger/Right Sidebar	4	1/2" Lock Washers
1	Driver/Left Front Mounting Bracket	10	14mm x 45mm Hex Bolts
1	Passenger/Right Front Mounting Bracket	2	14mm x 30mm Hex Bolts (Front Brackets Only)
1	Driver/Left Rear Mounting Bracket	24	14mm x 44mm OD x 3mm Flat Washers
1	Passenger/Right Rear Mounting Bracket	12	14mm Lock Washers
4	1/2" x 2" Hex Bolts	12	14mm Hex Nuts



PROCEDURE:

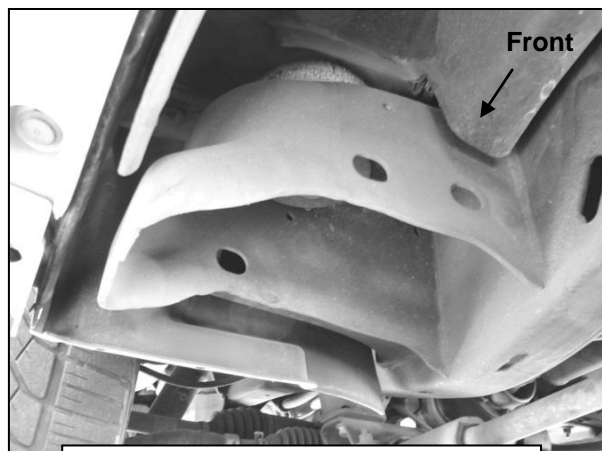
1. REMOVE CONTENTS FROM BOX. VERIFY ALL PARTS ARE PRESENT. READ INSTRUCTIONS CAREFULLY BEFORE STARTING INSTALLATION.
 2. Start installation on the driver side of the vehicle. Remove the factory plastic cover if equipped, **(Figure 9)**. Place the cover on a clean surface.
 3. Position the driver side front Bracket up to the underside of the body mount-frame channel, **(Figure 1)**. Bolt the Bracket to the back of the frame channel with (2) 14mm x 45mm Hex Bolts, (4) 14mm Flat Washers, (2) 14mm Lock Washers and (2) 14mm Hex Nuts, **(Figure 2A)**. Insert (1) 14mm x 30mm Shorter Hex Bolt with (2) 14mm Flat Washers, (1) 14mm Lock Washer and (1) 14mm Hex Nut into the front tab on the Mounting Bracket and into the frame channel, **(Figure 2B)**. Do not tighten hardware at this time.
- IMPORTANT:** Only use the (2) shorter 14mm x 30mm Hex Bolts in the forward mounting location for the driver side and passenger side Front Mounting Brackets, **(Figure 2B)**.
4. Next, install the driver side Rear Mounting Bracket, **(Figure 3)**, as per the directions in **Step 3** with the included (3) 14mm x 45mm Hex Bolts, (6) 14mm Flat Washers, (3) 14mm Lock Washers and (3) 14mm Hex Nuts, **(Figures 4A & 4B)**. Do not tighten hardware at this time.
 5. Select the driver Sidebar and carefully place it in position on top of the Brackets. Bolt the Sidebar to the Brackets with the included (2) 1/2" x 2" Hex Bolts, (2) 1/2" Lock Washers and (2) 1/2" Flat Washers, **(Figures 2B, 4B & 9)**.
 6. Align Sidebar properly and tighten all hardware. Reinstall plastic cover removed in **Step 2**.
 7. Move to the passenger side of the vehicle. Repeat **Steps 2—6** for passenger Sidebar installation, **(Figures 2B, 5 – 9)**.
 8. Do periodic inspections to the installation to make sure that all hardware is secure and tight.

To protect your investment, wax this product after installing. Regular waxing is recommended to add a protective layer over the finish. Do not use any type of polish or wax that may contain abrasives that could damage the finish.

For stainless steel: Aluminum polish may be used to polish small scratches and scuffs on the finish. Mild soap may be used also to clean the Sidebar.

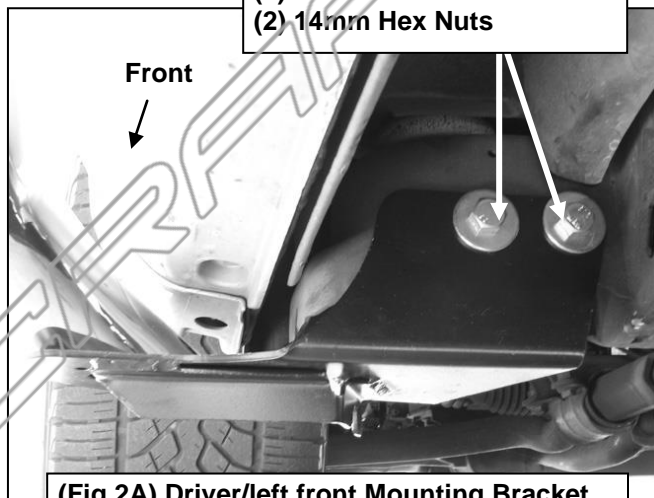
For gloss black finishes: Mild soap may be used to clean Sidebar.

Driver Side Installation Pictured



(Fig 1) Driver/left front body mount

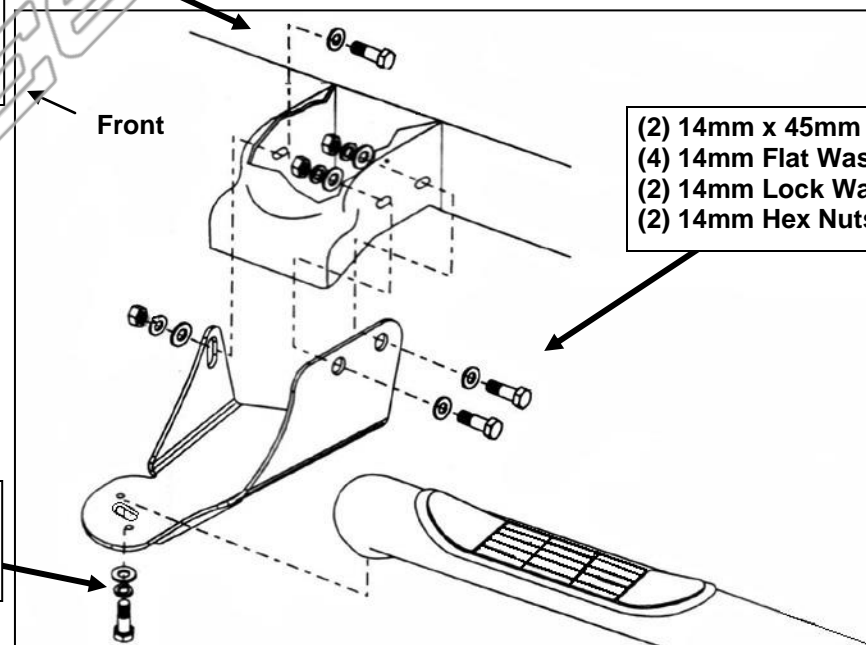
- (2) 14mm x 45mm Hex Bolts
- (4) 14mm Flat Washers
- (2) 14mm Lock Washers
- (2) 14mm Hex Nuts



(Fig 2A) Driver/left front Mounting Bracket pictured after plastic cover removed

- 14mm x 30mm Hex Bolts
- (2) 14mm Flat Washers
- 14mm Lock Washer
- 14mm Hex Nut

(Use the shorter 14mm x 30mm Hex Bolts for the front bolts on both front brackets only)

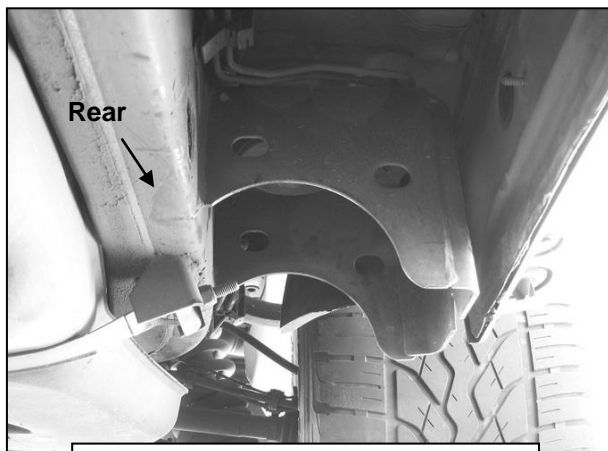


- (2) 14mm x 45mm Hex Bolts
- (4) 14mm Flat Washers
- (2) 14mm Lock Washers
- (2) 14mm Hex Nuts

- 1/2" Hex Bolt
- 1/2" Lock Washer
- 1/2" Flat Washer

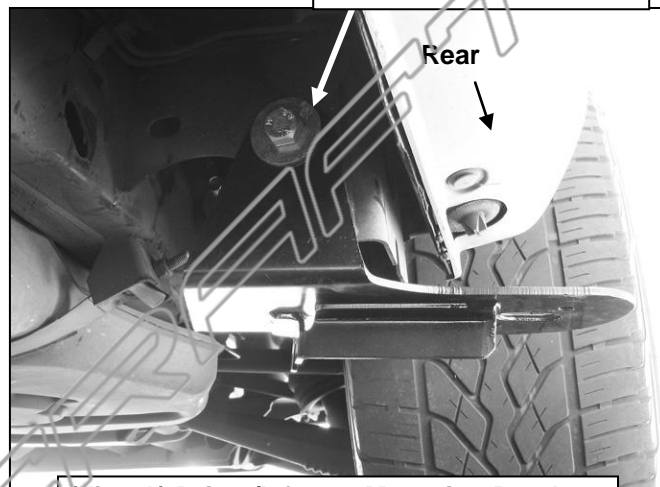
(Fig 2B) Driver/left front Mounting Bracket installation illustrated. IMPORTANT: Also use for passenger side front Bracket installation

Driver Side Installation Pictured



(Fig 3) Driver/left rear body mount

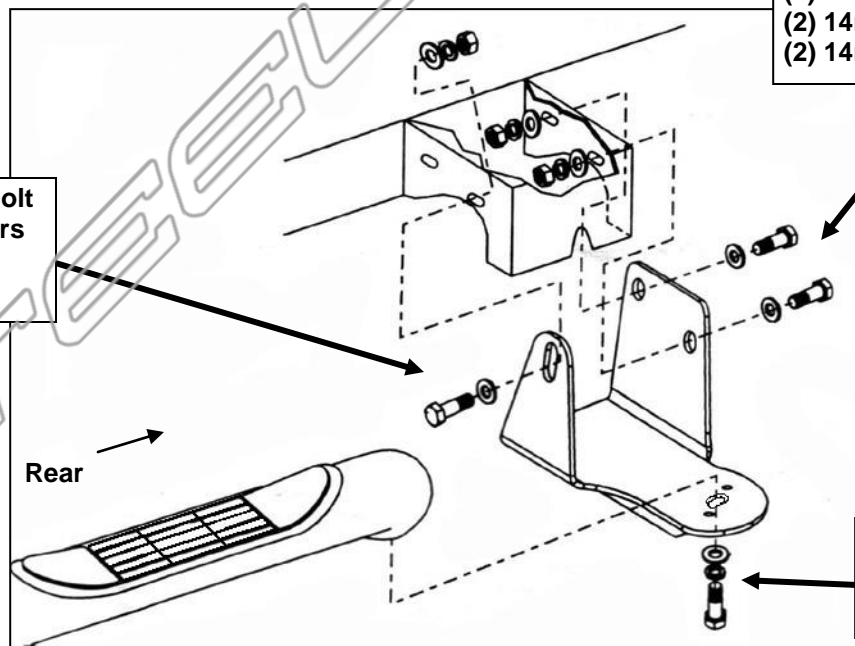
- 14mm x 45mm Hex Bolt
- (2) 14mm Flat Washers
- 14mm Lock Washers
- 14mm Hex Nuts



(Fig 4A) Driver/left rear Mounting Bracket pictured after plastic cover removed

- (2) 14mm x 45mm Hex Bolts
- (4) 14mm Flat Washers
- (2) 14mm Lock Washers
- (2) 14mm Hex Nuts

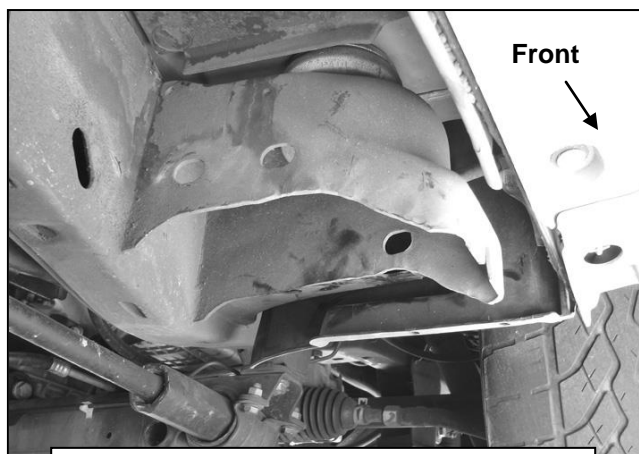
- 14mm x 45mm Hex Bolt
- (2) 14mm Flat Washers
- 14mm Lock Washer
- 14mm Hex Nut



- 1/2" Hex Bolt
- 1/2" Lock Washer
- 1/2" Flat Washer

(Fig 4B) Driver/left rear Mounting Bracket installation illustrated

Passenger Side Installation Pictured



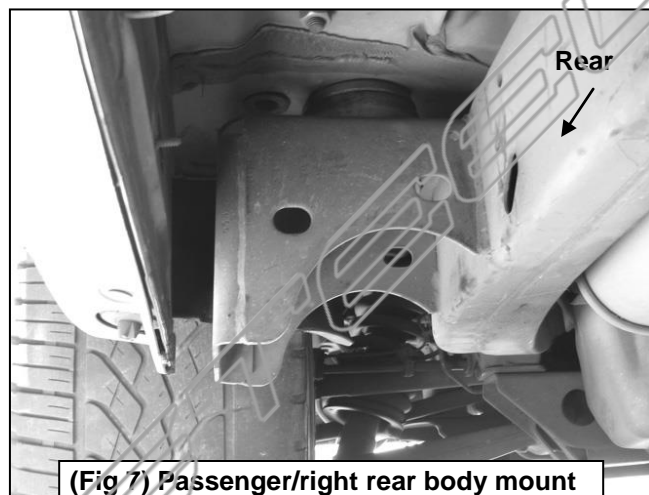
(Fig 5) Passenger/right front body mount

See Figure 2B for passenger/front Mounting Bracket installation

- (2) 14mm x 45mm Hex Bolts
- (4) 14mm Flat Washers
- (2) 14mm Lock Washers
- (2) 14mm Hex Nuts

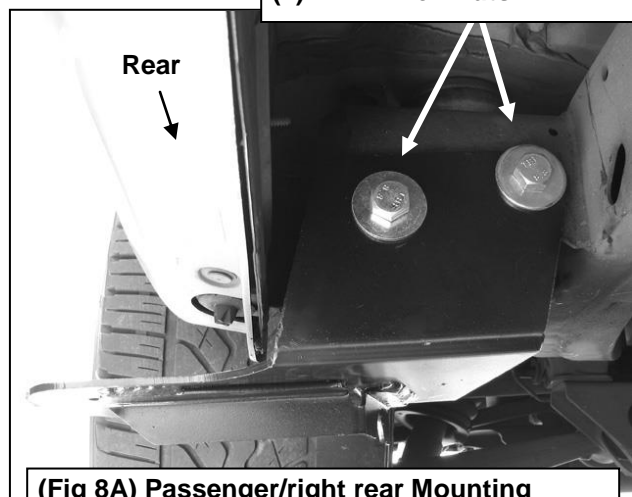


(Fig 6) Passenger/right front Mounting Bracket pictured after plastic cover removed



(Fig 7) Passenger/right rear body mount pictured after plastic cover removed

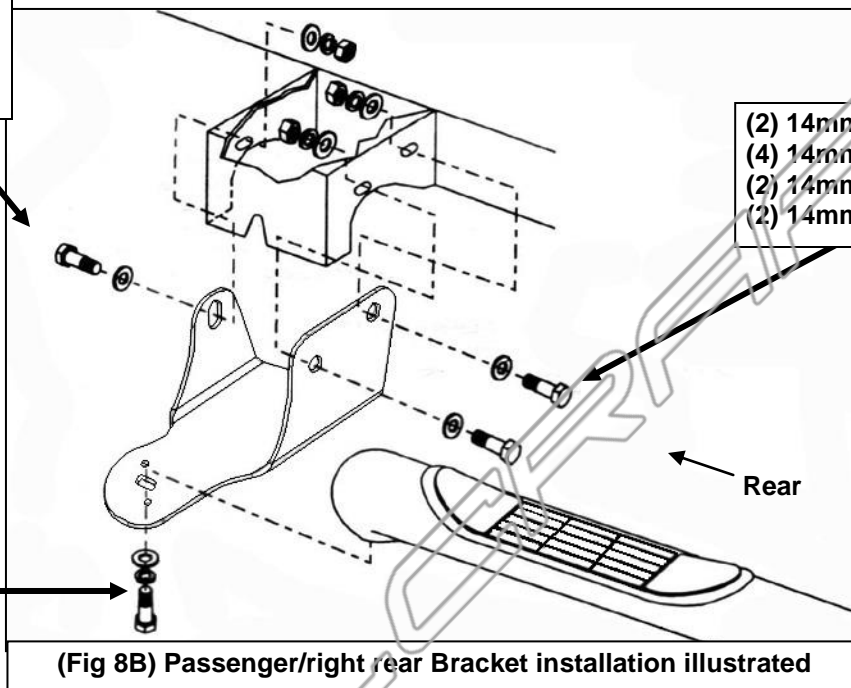
- (2) 14mm x 45mm Hex Bolts
- (4) 14mm Flat Washers
- (2) 14mm Lock Washers
- (2) 14mm Hex Nuts



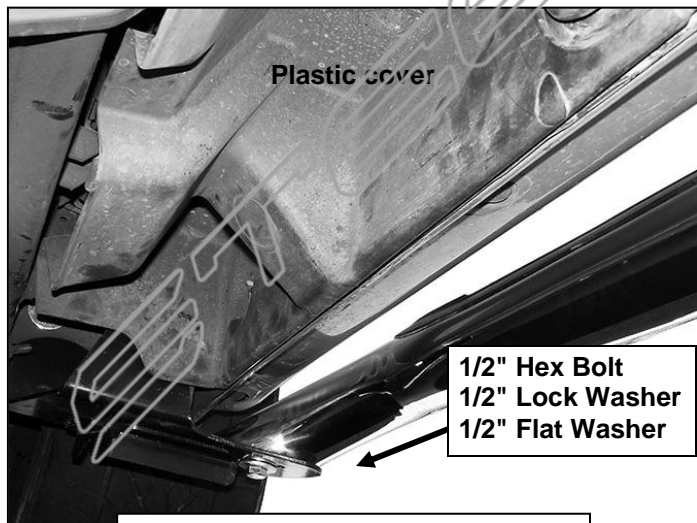
(Fig 8A) Passenger/right rear Mounting Bracket pictured after plastic cover removed

Passenger Side Installation Pictured

14mm x 45mm Hex Bolt
(2) 14mm Flat Washers
14mm Lock Washer
14mm Hex Nuts



(Fig 8B) Passenger/right rear Bracket installation illustrated



(Fig 9) Driver/left side plastic cover



Complete Installation