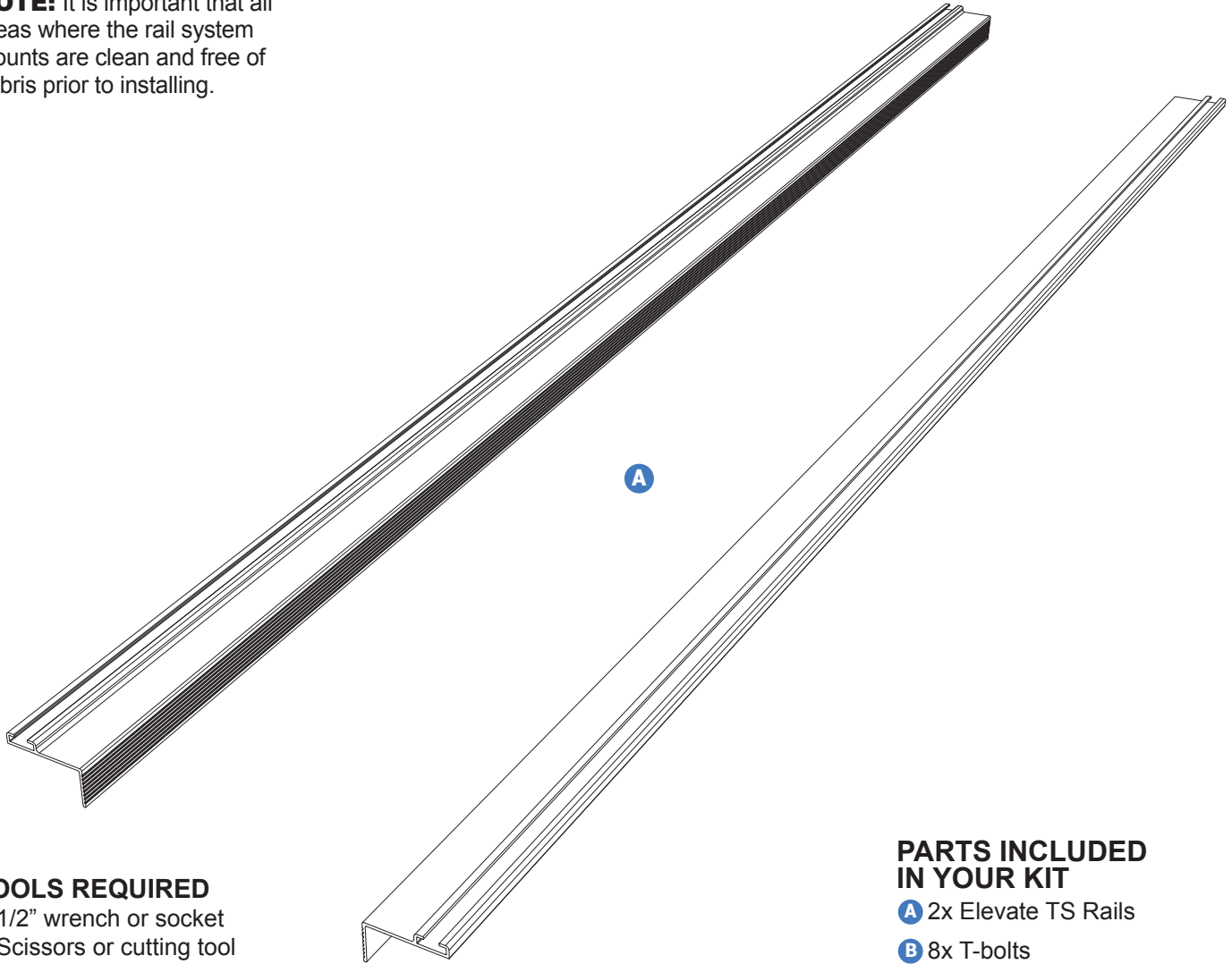


NOTE: It is important that all areas where the rail system mounts are clean and free of debris prior to installing.



TOOLS REQUIRED

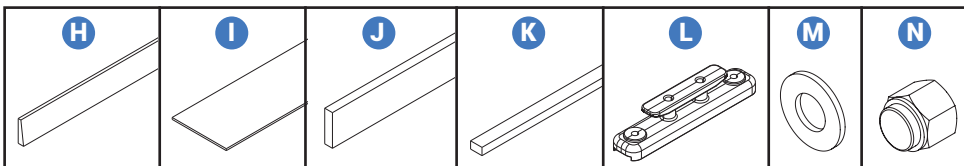
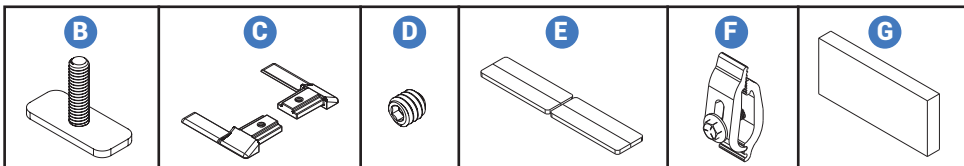
- 1/2" wrench or socket
- Scissors or cutting tool

TOOLS PROVIDED

- 1/8" Allen key

PARTS INCLUDED IN YOUR KIT

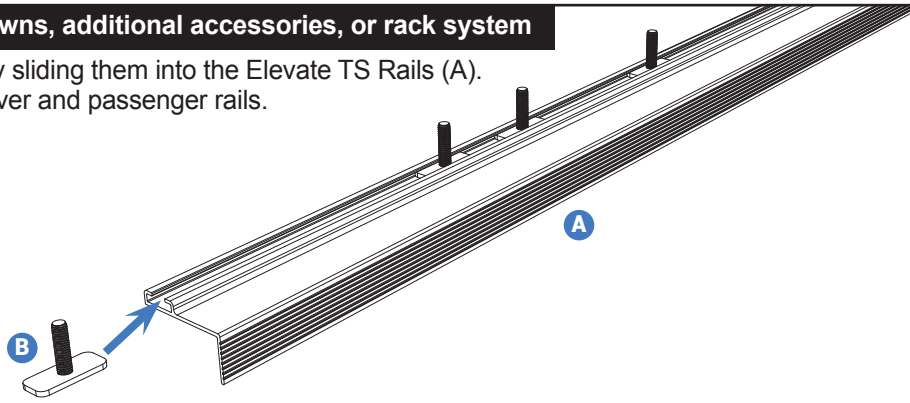
- A** 2x Elevate TS Rails
- B** 8x T-bolts
- C** 4x End plugs, driver & passenger
- D** 4x Set screws 1/4"-20 x .25"
- E** 1x Rail end plug seal pack
- F** 6x Clamps
- G** 8x Shims
- H** 1x Wedge seal 17'
- I** 1x Seal 1/32" X 1" X 2'
- J** 1x Seal 1/4" X 1" X 2'
- K** 1x Seal 3/16" X 5/16" X 17'
- L** 4x Tie-downs
- M** 8x Washers 5/16"
- N** 8x Cap nuts 5/16"-18



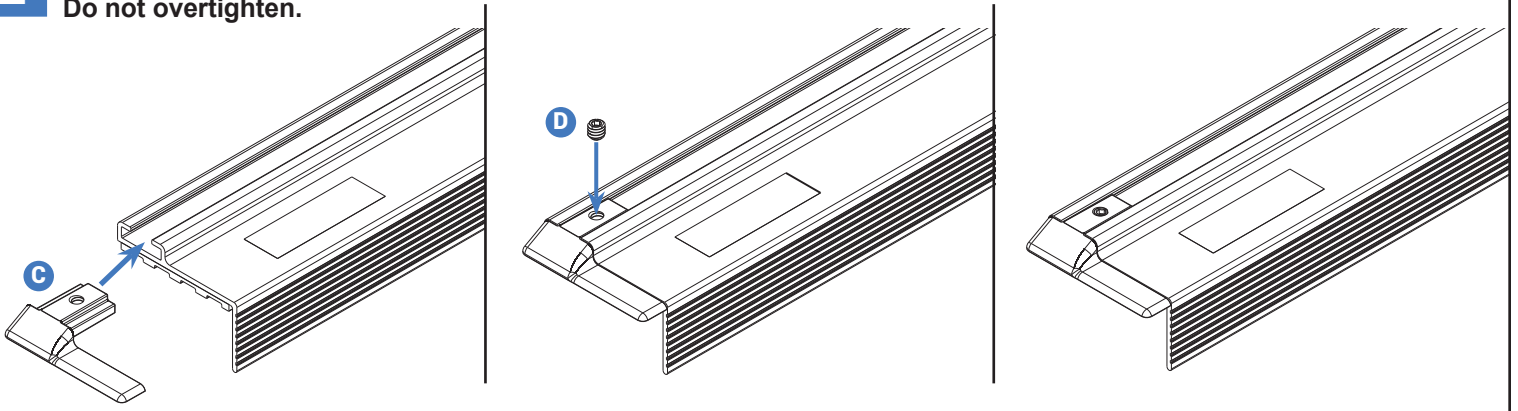
If a truck bed cover is already installed, remove the cover completely before beginning the Elevate TS Rails installation. Then, follow the instructions below, paying special attention to 6A, 6B and 6C.

1 If installing tie-downs, additional accessories, or rack system

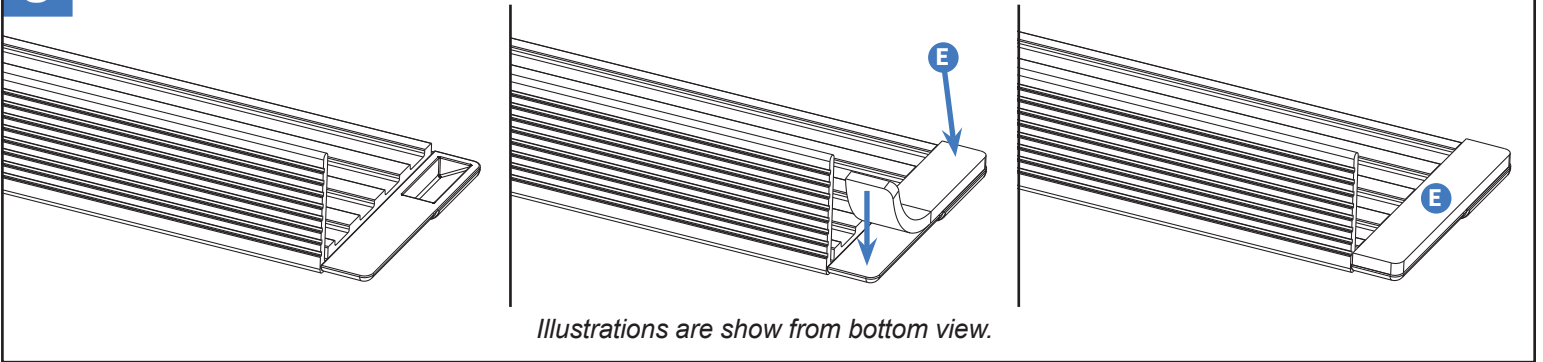
Install t-bolts (B) by sliding them into the Elevate TS Rails (A).
Do this for both driver and passenger rails.



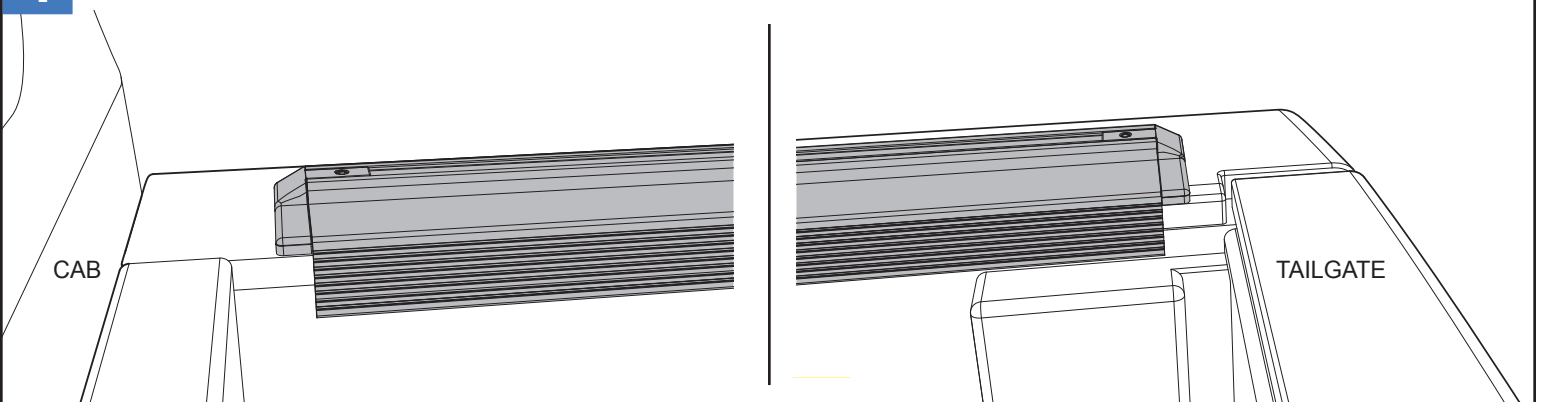
2 With provided set screws (D) and Allen key, install front and rear end plugs (C) on both driver and passenger sides.
Do not overtighten.



3 Install rail end plug seals (E) to the bottom side of all 4 rail end plugs.

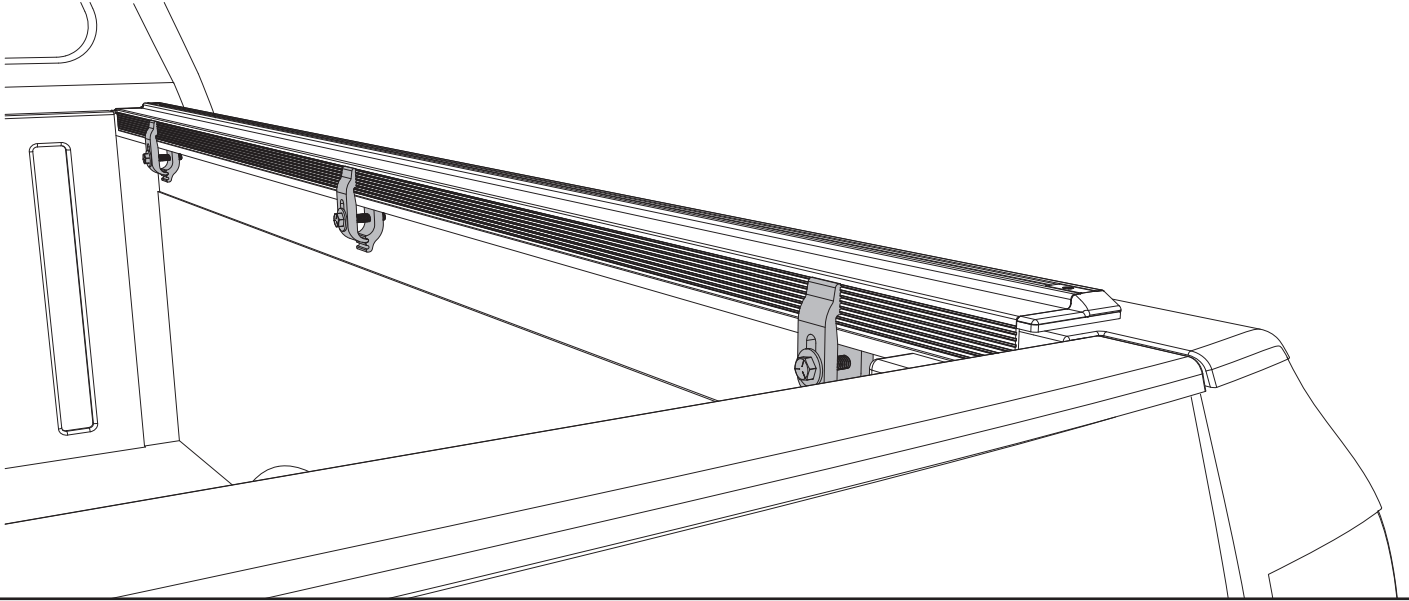


4 Position Elevate TS Rails (A) onto pickup bed. Center Elevate TS Rails from front to back on the truck bed.



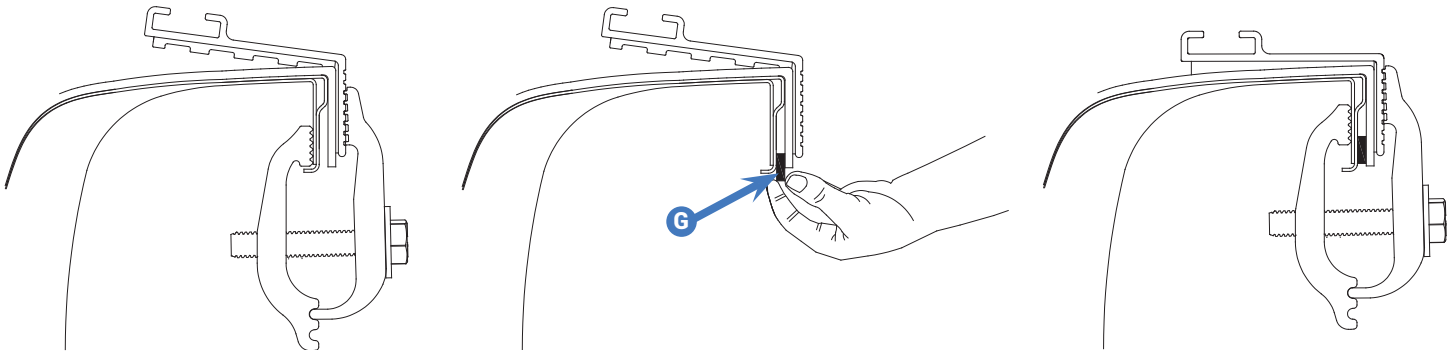
5A If NOT installing a truck bed cover

Install clamps (F) to finish mounting your Elevate TS Rails (A) to the truck bed. Start in the middle and evenly space 3 clamps along the rails (A). You should leave approximately 8" on each end of the rail. Finger tighten the clamps, making sure the teeth properly engage with the grooves of the side rail. Then tighten all clamps with a 1/2" socket or wrench.



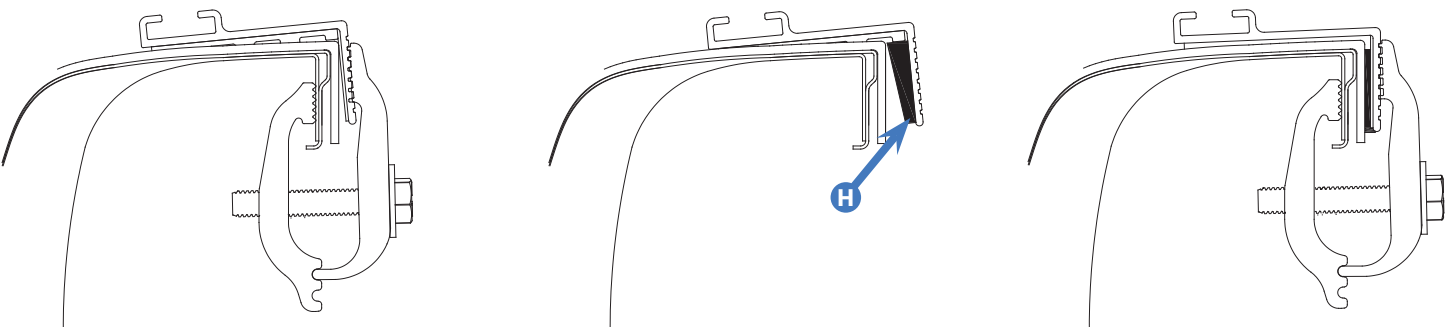
5B If NOT installing a truck bed cover

If your Elevate TS Rails (A) **tip up** after installation, make sure your clamps (F) are as high up as possible; if they are, evenly install shims (G) on both rails.



5C If NOT installing a truck bed cover

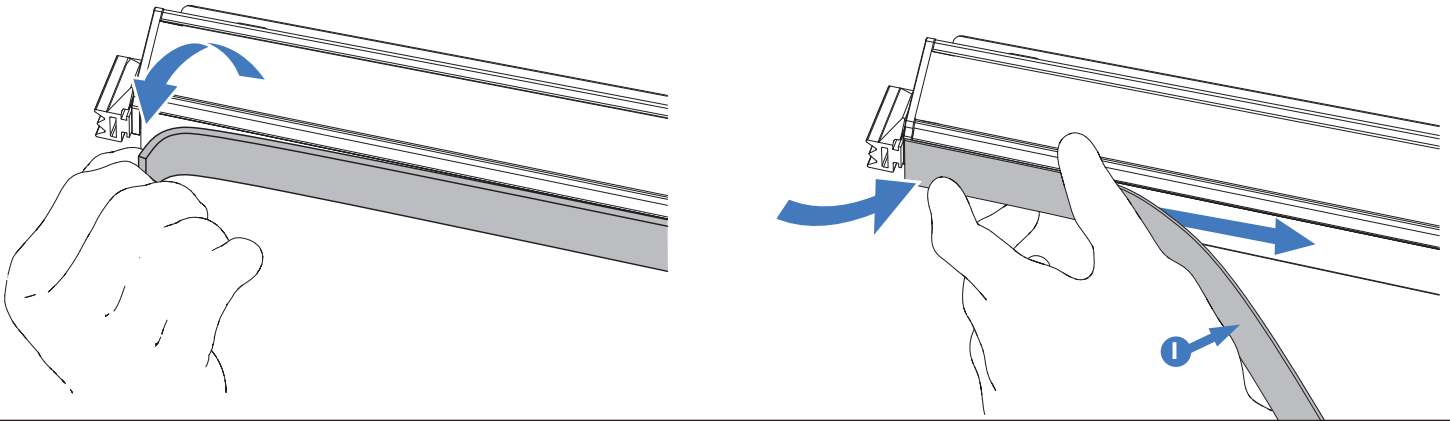
If your Elevate TS Rails (A) **tip down** after installation, install the wedge seal (H) onto the pre-installed seal that comes on the Elevate TS Rail (A).



THIS IS THE END OF THE RAIL INSTALLATION WHEN NOT INSTALLING A TRUCK BED COVER.

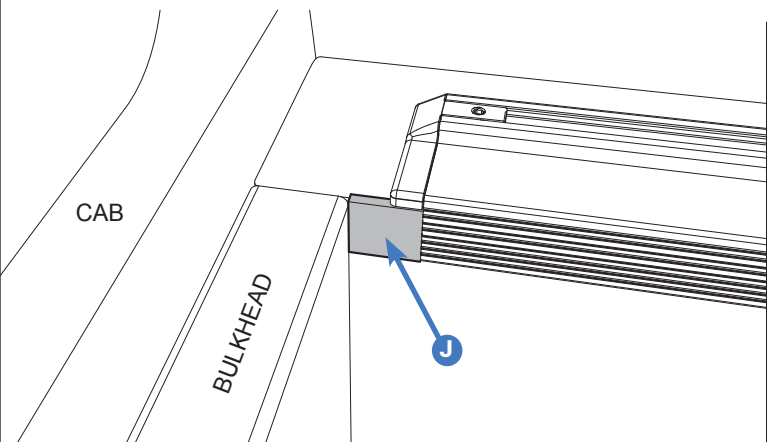
6A If installing WITH a truck bed cover

Before mounting your truck bed cover with Elevate TS Rails, you will need to use some of the seals provided to fill in gaps where needed. Remove the existing weather seal from your truck bed cover rails and replace it with seal (I) provided.

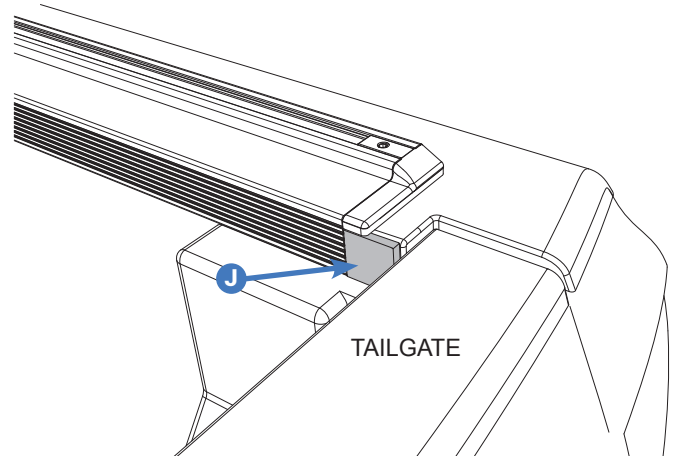


6B If installing WITH a truck bed cover

Install a piece of seal (J) to the inside of the truck bed flange on both driver and passenger truck bed rails.



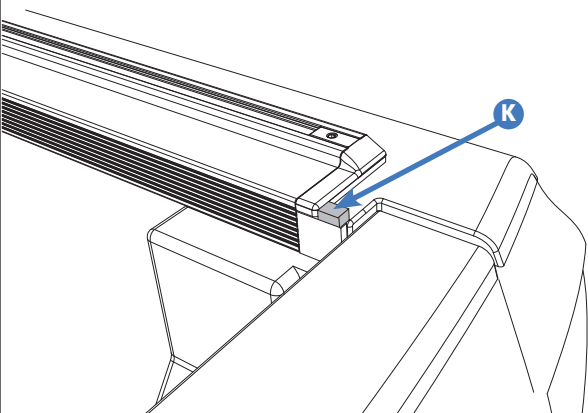
Lay the seal (J) starting at the edge of the Elevate TS Rail (A). Trim the seal flush with the truck's **bulkhead**. When installed correctly the seal will lay flat and not wrap around the corner. The length of this seal will vary with the model of the truck.



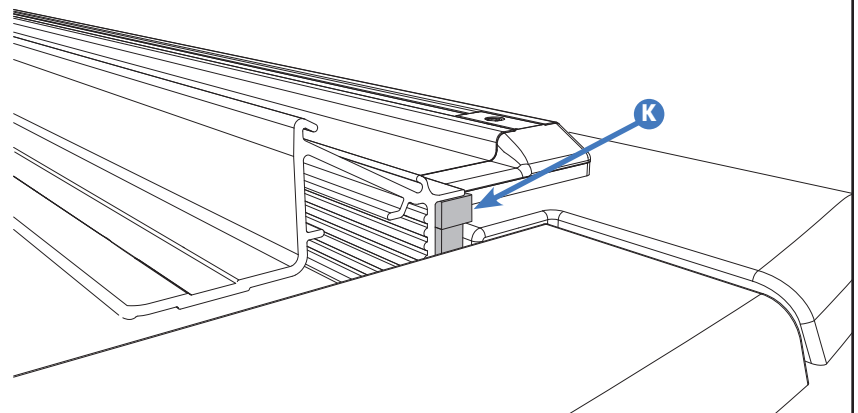
Lay the seal (J) starting at the edge of the Elevate TS Rail (A). Trim the seal flush with the truck's **tailgate**. When installed correctly the seal will lay flat and not wrap around the corner. The length of this seal will vary with the model of the truck.

6C If installing WITH a truck bed cover

If your truck bed rail has a self-leveling lip on it install a piece of seal (K) to the top of the bed rails. Lay the seal starting at the end plug of the truck bed cover rail. Trim the seal flush with the end of the truck bed cover rail assembly. The length of this seal will vary with the model of the truck. When installed correctly the seal will lay flat.

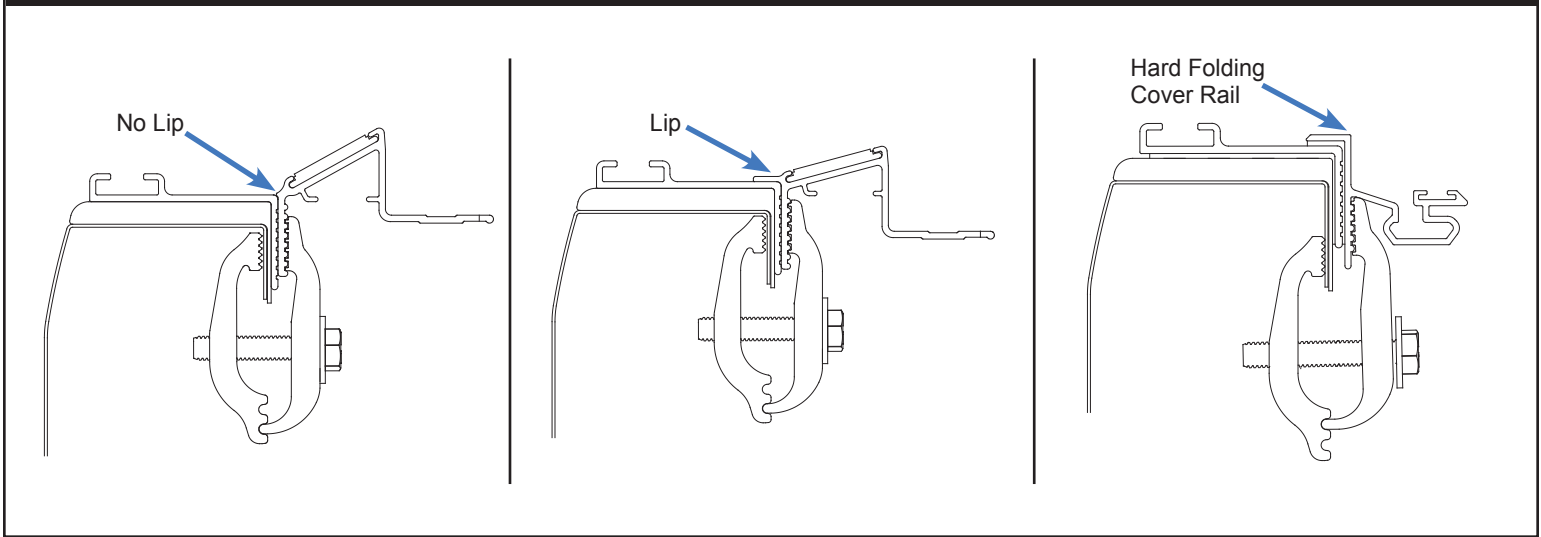


Self-leveling lip



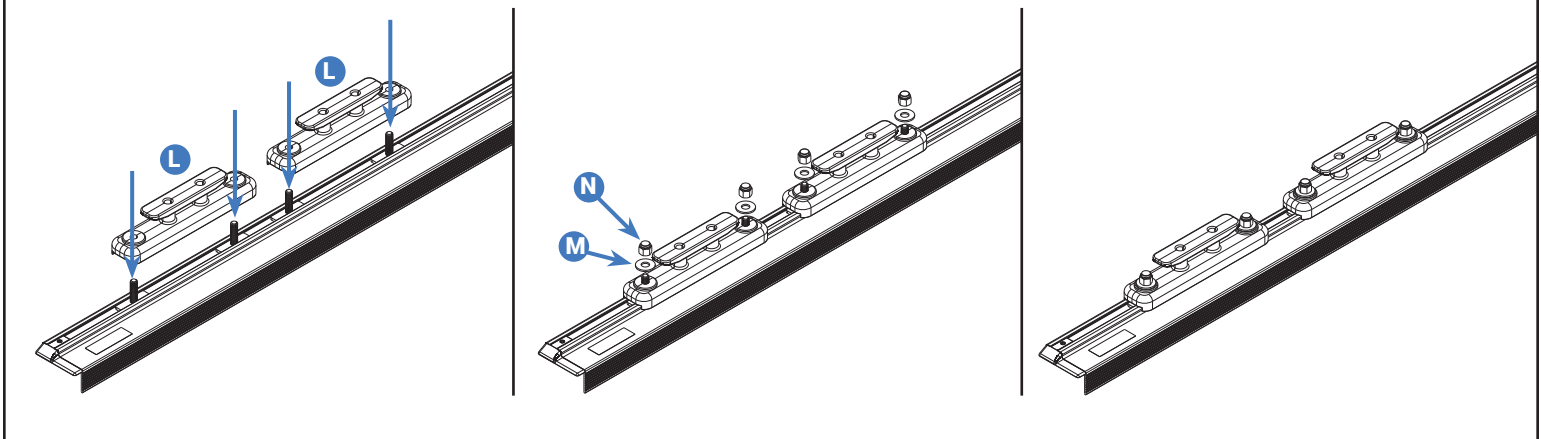
Self-leveling lip with Elevate TS Rail

EXAMPLES OF DIFFERENT TRUCK BED COVER RAILS WITH ELEVATE TS RAILS



7 If installing tie-downs, additional accessories, or rack system

Complete the installation by installing tie-downs (L) with washer (M) and cap nuts (N). The tie-downs can be positioned according to a preferred location. Tighten to 7-10 FT-Lbs 10.5-13.5 NM.



SYSTEM GUIDELINES FOR ELEVATE TS RAILS

- Review all instructions, guidelines, and warranty information before installing or using Elevate TS Rails.
- Contact your dealer with any questions regarding proper operation of Elevate TS Rails.
- Check state and local laws for compliance with oversized loads.
- Adapt speed and care of the vehicle to the load being carried.
- Be conscious of load weight, a high center of gravity is a rollover risk.
- All loads change the vehicle's driving behavior and responsiveness.
- Do not use Elevate TS Rails for anything other than its intended purpose.
- Do not exceed the maximum load capacity (load capacity does change by terrain).
- Do not drive without the rails properly installed and fasteners torqued to specification.
- Know the overall height of every load. Be vigilant of low clearances.
- Do not use Elevate TS Rails if any parts are worn, missing, or broken.

Any questions call 1-877-878-9336

LIMITED LIFETIME WARRANTY

This product carries a limited lifetime warranty for the benefit of the original purchaser. This warranty terminates when the original purchaser sells or otherwise transfers the product to any other person. Proof of purchase may be required to enforce these warranty rights.

Subject to the limitations and exclusions described herein as well as the manufacturer's inspection of the product, the manufacturer will remedy any defects in materials and/or workmanship by either making the necessary repairs, replacing the product, refunding the purchase price paid for the product, substituting a newer model or product having similar form and function, offering a warranty discount on an entire replacement system, and/or providing remedies other than those mentioned herein at the manufacturer's sole discretion.

This warranty does not cover problems caused by normal wear and tear (including, but not limited to, scratches, dents, tears, or aesthetic oxidation of surfaces, or natural breakdown of colors and materials over extended time and use), commercial use, accidents, unlawful vehicle operation, failure to follow the care instructions, or modifications or repairs not performed or authorized by the manufacturer. In addition, this warranty does not cover problems resulting from conditions beyond the manufacturer's control including, but not limited to, theft, misuse, overloading, or failure to assemble, mount or use the product in accordance with its written instructions or guidelines included with the product or made available to the original purchaser. This warranty does not cover any damage to products transported using this product or products used in conjunction with this product.

If a product is believed to be defective, the original purchaser must obtain a Return Material Authorization (RMA) number must from our Customer Service Department by calling 877-878-9336 prior to returning any product. We may require the original item to be returned postage prepaid for final determination of warranty coverage. Shipping charges will apply for any repair or replacement. Other than postage or shipping charges, no charge will be made for repair or replacement under this warranty.

Disclaimer of Liability: The manufacturer's sole liability to any purchaser is limited to the remedies set forth above. Damage to a purchaser's property or other person is excluded. This warranty is expressly made in lieu of any and all other warranties, express or implied, including the warranties of merchantability and fitness for a particular purpose, but excepting the warranties which are expressly provided by law. In no event will the manufacturer be liable for any lost profits, lost sales, or for any consequential, direct, indirect, incidental, special, exemplary, or punitive damages or for any other damages which were not directly and clearly caused by a defecting product.

This warranty gives you specific legal rights. As a consumer, you may also have additional rights and remedies under the laws of your jurisdiction.

SAFETY INSTRUCTIONS

- Elevate TS Rails works with most inside mount truck bed covers.
- All mounting fasteners must be securely tightened before operation.
- Elevate TS Rails do NOT increase the load rating of the vehicle.

OWNER/USER RESPONSIBILITIES

- It is the responsibility of the owner/user to read this manual and comply with the operating procedures. The owner/user is also responsible for inspecting the Elevate TS Rails, and for having parts repaired or replaced when worn or damaged.
- Failure to follow safety instructions and warning labels could result in failure of your Elevate TS Rails and/or personal injury.

CARE & MAINTENANCE

Elevate TS Rails can be hand washed with soap and water.

ELEVATE TS RAILS LOAD RATING

Elevate TS Rails are rated for 750 lbs. static weight capacity (max. load in a fixed or stationary position), 500 lbs. on-road weight capacity and 250 lbs. off-road weight capacity.

WARRANTY REGISTRATION

Warranty registration must be on file and/or proof of original purchase (detailed and dated receipt) required for warranty to be effective.

Register online at <https://truxedo.com/warranty>

**REGISTER
YOUR
WARRANTY
ONLINE**

