



Remote Bottle Opener

PART NUMBERS: 00-66000

INSTALLATION INSTRUCTIONS

The Nitrous Outlet Remote Bottle Opener is designed to provide an easy way to remotely open and close your Nitrous Outlet Bottle. This item is only compatible with the Nitrous Outlet Billet High Flow Valve and will not work with the X-Series Bottle Valve. The mounting collar for this opener is designed to fit on a bottle valve with a 1.181-1.185 (30mm) neck. If you need any assistance during installation or if you have questions about this item, call our Tech Help Line at (254) 848-4300.

Tools Needed for Assembly:

- 1/2" Allen Wrench
- Ratchet
- 3/16" Allen Wrench
- Wire Crimpers



Step 1:

Remove the plastic cap on top of the bottle valve.



Step 2:

Remove the On/Off knob with a 1/2" socket and ratchet.



Step 3:

Remove the Thumb Screw from the Remote Opener Collar.

IMPORTANT: All appropriate safety equipment (gloves, tools etc.) must be used during the installation of this product(s).

Nitro Dave's LLC accepts NO responsibility for injuries or damages resulting during and from the installation of any product(s). Nitrous oxide is for off-road use only.

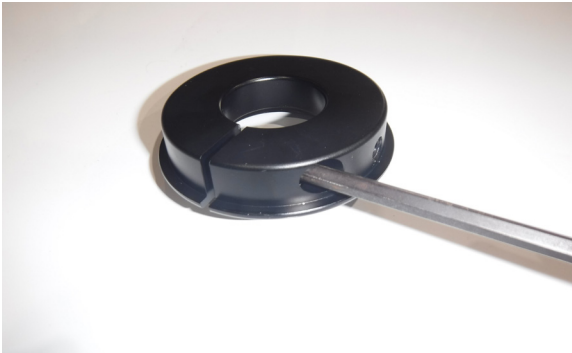
WWW.NITROUSOUTLET.COM/INSTALLATION-GUIDES



Remote Bottle Opener

PART NUMBERS: 00-66000

INSTALLATION INSTRUCTIONS



Step 4:

Loosen the bolt on the collar with a 3/16" Allen wrench.



Step 5:

Place the collar on top of the bottle valve and ensure it's sitting all the way down on the bottle valve. Then, tighten the collar bolt with a 3/16" Allen wrench only enough to snug it in place. The collar should be able to rotate with some resistance.



Step 6:

Place the remote opener gear on the bottle valve, and ensure it's completely seated. Then, secure the Remote Opener Gear using the nut that held the On/Off knob. Tighten it down with a 1/2" Socket and Ratchet.



Step 7:

Put the Remote Opener Motor on the bottle valve. The gears inside the Remote Opener will need to align for the motor to sit down completely. If the motor does not sit down completely, turn it slightly and try again.

IMPORTANT: All appropriate safety equipment (gloves, tools etc.) must be used during the installation of this product(s).

Nitro Dave's LLC accepts NO responsibility for injuries or damages resulting during and from the installation of any product(s). Nitrous oxide is for off-road use only.

WWW.NITROUSOUTLET.COM/INSTALLATION-GUIDES



Remote Bottle Opener

PART NUMBERS: 00-66000

INSTALLATION INSTRUCTIONS



Step 8:

In the event you need the remote opener in a certain orientation, rotate the collar to the position you need it to be in. Then tighten it in place with a 3/16" Allen wrench.



Step 9:

Line up the bolt holes on the Remote Opener Collar and Motor.



Step 10:

Thread the Thumb Screw into the bolt hole on the Remote Opener Motor to secure the opener to the bottle valve.



Step 11:

The bottle and remote opener are now ready for installation into the vehicle. Use the attached wiring diagram to complete the installation process.

IMPORTANT: All appropriate safety equipment (gloves, tools etc.) must be used during the installation of this product(s).

Nitro Dave's LLC accepts NO responsibility for injuries or damages resulting during and from the installation of any product(s). Nitrous oxide is for off-road use only.

WWW.NITROUSOUTLET.COM/INSTALLATION-GUIDES



Remote Bottle Opener

PART NUMBERS: 00-66000

INSTALLATION INSTRUCTIONS

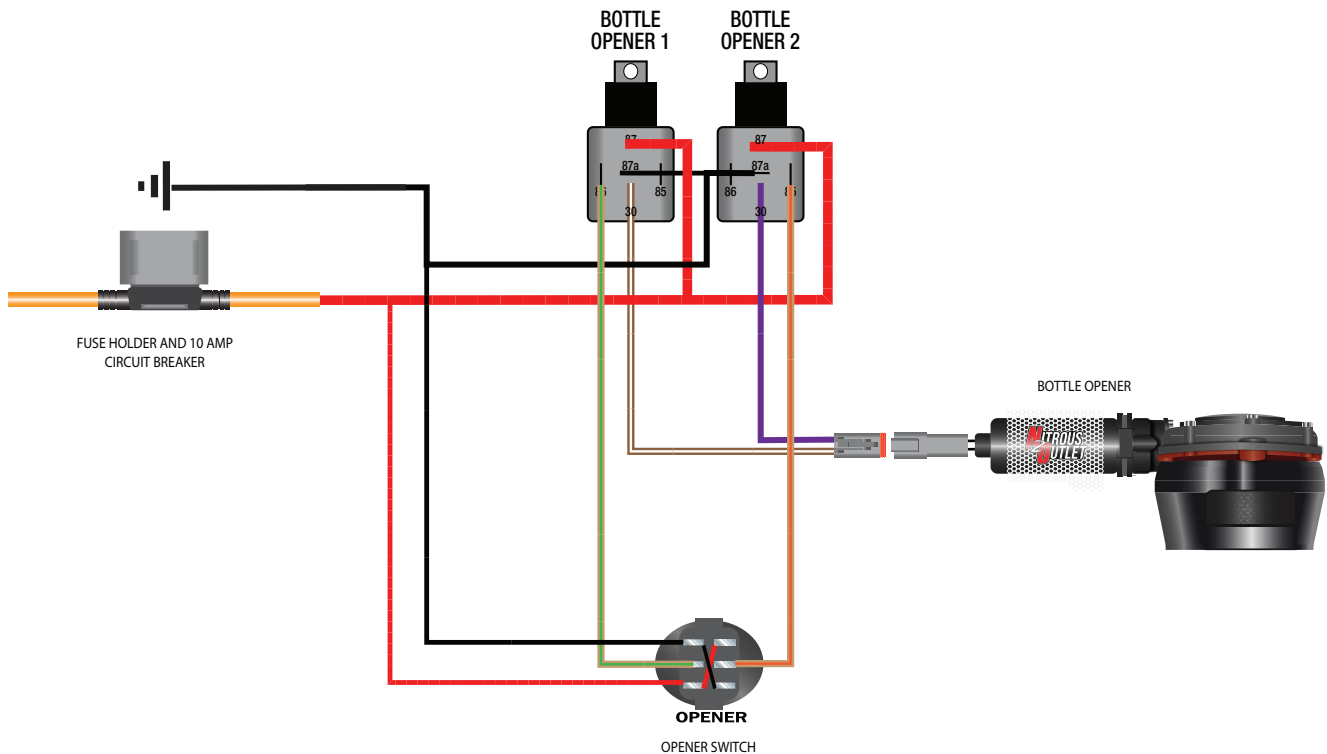
Wiring Diagram

Now that your Remote Bottle Opener is installed, you can begin wiring it. When wiring your Remote Bottle Opener, double check all of your wiring connections. For a clean, professional install we recommend using heat shrink of all crimped connectors. This will protect the connection, and make the connection stronger between the wire and crimp-on connector.

The Remote Bottle Opener wiring is designed with a 10 amp circuit breaker to stop the opener motor when the bottle is fully opened or closed. This is a safety measure so that the motor does not overheat or fail prematurely. The opener motor will take about 3 seconds to open the bottle, then the circuit breaker will trip. In 5-10 seconds the circuit breaker will reset, then you can close the bottle.



REMOTE BOTTLE OPENER WIRING DIAGRAM



IMPORTANT: All appropriate safety equipment (gloves, tools etc.) must be used during the installation of this product(s).

Nitro Dave's LLC accepts NO responsibility for injuries or damages resulting during and from the installation of any product(s). Nitrous oxide is for off-road use only.

WWW.NITROUSOUTLET.COM/INSTALLATION-GUIDES