



Dual Voltage Wrap Around Bottle Heater

PART NUMBER: 00-64004

INSTALLATION INSTRUCTIONS

WARNING

1. NEVER HEAT BOTTLE WITHOUT BOTTLE VALVE OPEN.
2. DO NOT USE WITHOUT AN IN-LINE NITROUS PRESSURE GAUGE, HEATER ELEMENT CAN OVER HEAT BOTTLE.
3. NEVER TOUCH THE HEATER ELEMENT WHEN IT IS TURNED ON. THE SURFACE TEMPERATURE MAY REACH TEMPERATURES AS MUCH AS 400 DEGREES.
4. NEVER OPERATE YOUR HEATER UNLESS THE HEATING ELEMENT IS STRAPPED FIRMLY AROUND THE NITROUS BOTTLE. FAILURE TO DO SO WILL RESULT IN ELEMENT BURN OUT. THIS IS NOT COVERED BY WARRANTY.

OPTIONS FOR USING AND INSTALLING A DUAL VOLTAGE WRAP AROUND BOTTLE HEATER



Step 1.

Wrap the heater element around the bottle, roughly in the center making sure the element is square and flat with the bottle surface. Then choose option 1 or option 2 for installation.



Option 1.

When choosing Option 1, use the instructions on page 2 along with the wiring diagram on page 3 for installation of the bottle heater within your vehicle.



Option 2.

When choosing Option 2, plug the 110 volt cord into a 110 volt socket plug. **WARNING:** When using the 110 volt plug, monitor bottle pressure closely, heater element can over heat bottle.

IMPORTANT- ALL APPROPRIATE SAFETY EQUIPMENT (GLOVES, TOOLS ETC.) MUST BE USED DURING THE INSTALLATION OF THIS PRODUCT(S). NITRO DAVE'S LLC ACCEPTS NO RESPONSIBILITY FOR INJURIES RESULTING IN THE INSTALLATION OF ANY PRODUCT(S). NITROUS OXIDE IS FOR OFF-ROAD USE ONLY.

WWW.NITROUSOUTLET.COM/INSTALLATION-GUIDES



Dual Voltage Wrap Around Bottle Heater

PART NUMBER: 00-64004

INSTALLATION INSTRUCTIONS

X-Series bottle heater are controlled by internal bottle pressure, not by temperature. The automatic heater uses an adjustable pressure switch so you can adjust the heater to operate in the pressure range you prefer. We suggest adjusting the pressure switch to turn on around 900 PSI.

After adjusting the pressure switch to the preferred heating range the heater will automatically turn on and off while activated. Use red Loc-tite or thread paste on all pipe thread connections. DO NOT use any other sealing compounds or thread tape. DO NOT use any sealer on flare connections, hose or bottle connections. All threads must be clean and dry. DO NOT apply too much sealer. DO NOT over tighten parts and connections.

WARNING

- 1. WHEN USING THE MANIFOLD, NEVER OPERATE YOUR HEATER WITH THE BOTTLE VALVE CLOSED. THE PRESSURE SWITCH CANNOT READ THE INTERNAL BOTTLE PRESSURE WHEN THE VALVE IS CLOSED.**
- 2. NEVER TOUCH THE HEATER ELEMENT WHEN IT IS TURNED ON. THE SURFACE TEMPERATURE MAY REACH TEMPERATURES AS MUCH AS 400 DEGREES.**
- 3. NEVER OPERATE YOUR HEATER UNLESS THE HEATING ELEMENT IS STRAPPED FIRMLY AROUND THE NITROUS BOTTLE. FAILURE TO DO SO WILL RESULT IN ELEMENT BURN OUT. THIS IS NOT COVERED BY WARRANTY.**
- 4. DO NOT ATTEMPT TO OPERATE THE HEATER WITHOUT THE HEAVY DUTY RELAY PROPERLY INSTALLED, PER THE WIRING DIAGRAM.**

WIRING THE BOTTLE HEATER

- Step 1.** Disconnect the battery ground cable.
- Step 2.** Install the heater element on the nitrous bottle, being sure the element is square and flat with the bottle surface.
- Step 3.** Install the pressure switch in the bottle pressure port.
- Step 4.** Connect either wire from the heater element to a ground source, usually the bottle bracket if it is mounted to the vehicle chassis or body. The heavy-duty relay should be mounted as close to the heating element as practical.
- Step 5.** Connect the remaining element wire to the green lead from the relay wire harness.
- Step 6.** Connect black lead to the battery positive terminal.
- Step 7.** Connect Red wire to one side of your heater switch.
- Step 8.** The other terminal will connect to the toggle switch's ACC terminal using the 18 gauge blue wire supplied with your heater.
- Step 9.** The toggle switch must be grounded and connected to a 12-volt source controlled by the ignition switch.
- Step 10.** Refer to wiring diagram if further help is needed. Check all wiring circuits for correct routing and confirm all connections.
- Step 11.** Reconnect the ground cable. Your X-Series bottle heater is now ready for pressure switch adjustment.

ADJUSTING THE PRESSURE SWITCH

- Step 1.** To set the pressure switch, turn the set screw to the right to increase bottle pressure and to the left to lower the bottle pressure.
- Step 2.** Only make adjustments of 1 turn at a time giving the bottle at least 10 minutes to stabilize, between adjustments. One full turn will adjust the bottle pressure approximately 150 PSI. (An X-Series bottle pressure gauge will be needed to monitor bottle pressure.)

IMPORTANT- ALL APPROPRIATE SAFETY EQUIPMENT (GLOVES, TOOLS ETC.) MUST BE USED DURING THE INSTALLATION OF THIS PRODUCT(S). NITRO DAVE'S LLC ACCEPTS NO RESPONSIBILITY FOR INJURIES RESULTING IN THE INSTALLATION OF ANY PRODUCT(S). NITROUS OXIDE IS FOR OFF-ROAD USE ONLY.

WWW.NITROUSOUTLET.COM/INSTALLATION-GUIDES

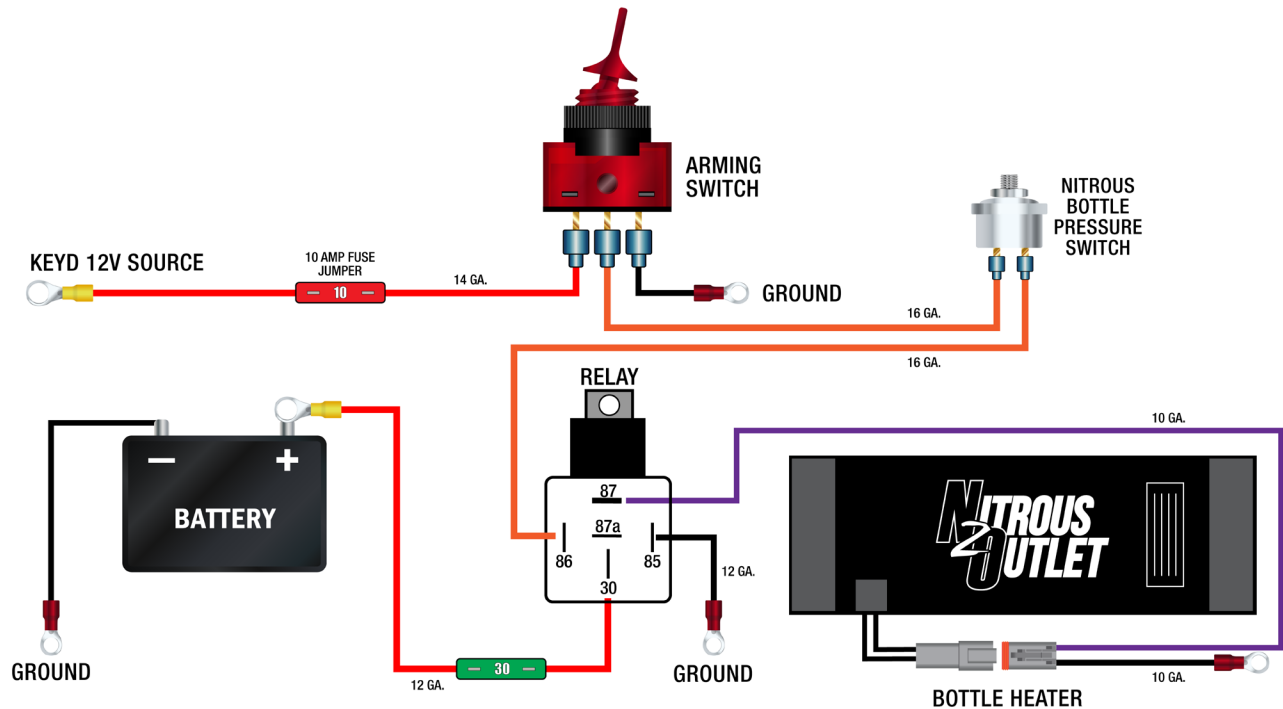


Dual Voltage Wrap Around Bottle Heater

PART NUMBER: 00-64004

INSTALLATION INSTRUCTIONS

NITROUS OUTLET — OPTION 2: DUAL VOLTAGE BOTTLE HEATER WIRING DIAGRAM - WRAP AROUND STYLE



COMPANY CONTACT NITROUS OUTLET	PROJECT 00-64004 OPTION 2 DUAL VOLTAGE HEATER WIRING DIAGRAM - WRAP AROUND STYLE	FILENAME 00-64004 OPTION 2 BOTTLE HEATER WIRING DIAGRAM - WRAP AROUND STYLE.AI
DATE: 07/15/2020 REV: 01	PROJ: 1 CONTACT INFORMATION: NITROUS OUTLET 305 SOUTH 28TH STREET WACO, TX 76710 254-848-4300 CUSTOMERSERVICE@NITROUSOUTLET.COM WWW.NITROUSOUTLET.COM	THIS DOCUMENT AND THE DESIGNS OR INFORMATION CONTAINED WITHIN ARE THE SOLE PROPERTY OF NITROUS OUTLET AND MAY NOT BE COPIED, DISTRIBUTED OR MADE AVAILABLE TO OTHERS WITHOUT PERMISSION.



IMPORTANT- ALL APPROPRIATE SAFETY EQUIPMENT (GLOVES, TOOLS ETC.) MUST BE USED DURING THE INSTALLATION OF THIS PRODUCT(S). NITRO DAVE'S LLC ACCEPTS NO RESPONSIBILITY FOR INJURIES RESULTING IN THE INSTALLATION OF ANY PRODUCT(S). NITROUS OXIDE IS FOR OFF-ROAD USE ONLY.

WWW.NITROUSOUTLET.COM/INSTALLATION-GUIDES