



BIG SHOW PURGE KIT

PART NUMBER 00-62002, 00-62003

INSTALLATION INSTRUCTIONS

If you need any assistance during installation or if you have questions about this item, call our Tech Help Line at (254) 848-4300.

****Parts List Located in back of Installation Guide****

Tools Needed For Installation:

- 9/16" Wrench
- 11/16" Wrench (for 6AN systems only)
- 3/16" Allen Wrench



Step 1:

Remove the plug in the Purge Port of the nitrous solenoid with a 3/16" Allen Wrench. The Purge Port is marked with a 'P' on the nitrous solenoid.



Step 2:

Put a drop of blue Loc-Tite on the 1/8" NPT x 1/4" NPT union and screw it into the Purge Port on the nitrous solenoid. Tighten it down with a 9/16" wrench.

305 S. 28th street Waco, TX 76710 - TEL 254-848-4300

WWW.NITROUSOUTLET.COM

IMPORTANT- ALL APPROPRIATE SAFETY EQUIPMENT (GLOVES, TOOLS ETC.) MUST BE USED DURING THE INSTALLATION OF THIS PRODUCT(S).
NITRO DAVE'S LLC ACCEPTS NO RESPONSIBILITY FOR INJURIES RESULTING IN THE INSTALLATION OF ANY PRODUCT(S). NITROUS OXIDE IS FOR OFF-ROAD USE ONLY.



BIG SHOW PURGE KIT

PART NUMBER 00-62002, 00-62003

INSTALLATION INSTRUCTIONS



Step 3:

Put a drop of blue Loc-Tite on the threads of the 1/4" NPT side of the fitting, then screw your Big Show Purge onto the fitting. Be sure you put the fitting in the 'In' port on the Purge Solenoid.



Step 4:

Tighten the purge solenoid onto the nitrous solenoid, and turn it to the orientation you need for your particular application.



Step 5:

Put a drop of blue Loc-Tite on the 1/8" NPT x 4AN fitting and tighten into the bottom port of the purge solenoid. Do not put Loc-Tite on the 4AN side of the fitting. Tighten the fitting into the solenoid with a 9/16" Wrench.



Step 6:

Screw the 4AN purge tube onto the fitting and tighten it with a 9/16" wrench. Do not over-tighten the tube.

305 S. 28th street Waco, TX 76710 - TEL 254-848-4300

WWW.NITROUSOUTLET.COM

IMPORTANT- ALL APPROPRIATE SAFETY EQUIPMENT (GLOVES, TOOLS ETC.) MUST BE USED DURING THE INSTALLATION OF THIS PRODUCT(S).
NITRO DAVE'S LLC ACCEPTS NO RESPONSIBILITY FOR INJURIES RESULTING IN THE INSTALLATION OF ANY PRODUCT(S). NITROUS OXIDE IS FOR OFF-ROAD USE ONLY.



BIG SHOW PURGE KIT

PART NUMBER 00-62002, 00-62003

INSTALLATION INSTRUCTIONS



Step 7:

Your purge can now be wired into your nitrous system.

If you are using a nitrous solenoid that does not have a purge port, you will need to use the supplied swivel manifold to install your purge solenoid. The directions below show how to install this purge kit using a swivel manifold.



Step 1:

Put a drop of blueLoc-Tite on the 1/4" NPT x 1/8" NPT fitting, and tighten into the 'In' port of the purge solenoid with a 9/16" wrench.



Step 2:

Put a drop of blue Loc-Tite on the 1/8" NPT fitting coming out of the purge solenoid and screw the swivel manifold onto the inlet of the purge solenoid.

305 S. 28th street Waco, TX 76710 - TEL 254-848-4300

WWW.NITROUSOUTLET.COM

IMPORTANT- ALL APPROPRIATE SAFETY EQUIPMENT (GLOVES, TOOLS ETC.) MUST BE USED DURING THE INSTALLATION OF THIS PRODUCT(S).
NITRO DAVE'S LLC ACCEPTS NO RESPONSIBILITY FOR INJURIES RESULTING IN THE INSTALLATION OF ANY PRODUCT(S). NITROUS OXIDE IS FOR OFF-ROAD USE ONLY.



BIG SHOW PURGE KIT

PART NUMBER 00-62002, 00-62003

INSTALLATION INSTRUCTIONS



Step 3:

Turn the swivel manifold so that the purge solenoid is in the correct orientation for your application.



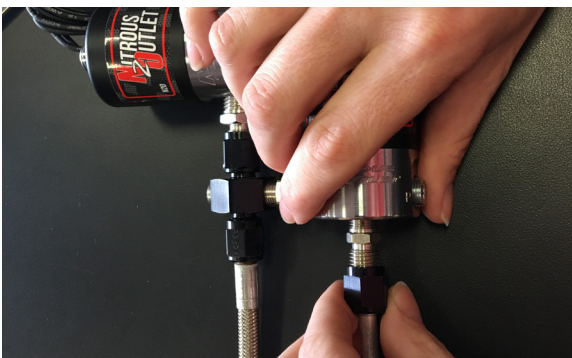
Step 4:

Thread the female side of the swivel manifold onto the inlet of your nitrous solenoid, and tighten it down with a 9/16" wrench. Thread your nitrous feed line onto the male side of the swivel manifold and tighten it down with a 9/16" wrench (for 4AN systems) or an 11/16" wrench (for 6AN systems).



Step 5:

Put a drop of blue Loc-Tite on the 1/8" NPT x 4AN fitting and screw it into the bottom exit port of the purge solenoid. Do not put Loc-Tite on the 4AN side of the fitting. Tighten the fitting down with a 9/16" wrench.



Step 6:

Tighten the purge tubing onto the the 4AN fitting on the bottom of the purge solenoid. Tighten it down with a 9/16" wrench. Do not over-tighten the purge tubing onto the fitting.

305 S. 28th street Waco, TX 76710 - TEL 254-848-4300

WWW.NITROUSOUTLET.COM

IMPORTANT- ALL APPROPRIATE SAFETY EQUIPMENT (GLOVES, TOOLS ETC.) MUST BE USED DURING THE INSTALLATION OF THIS PRODUCT(S).
NITRO DAVE'S LLC ACCEPTS NO RESPONSIBILITY FOR INJURIES RESULTING IN THE INSTALLATION OF ANY PRODUCT(S). NITROUS OXIDE IS FOR OFF-ROAD USE ONLY.



BIG SHOW PURGE KIT

PART NUMBER 00-62002, 00-62003

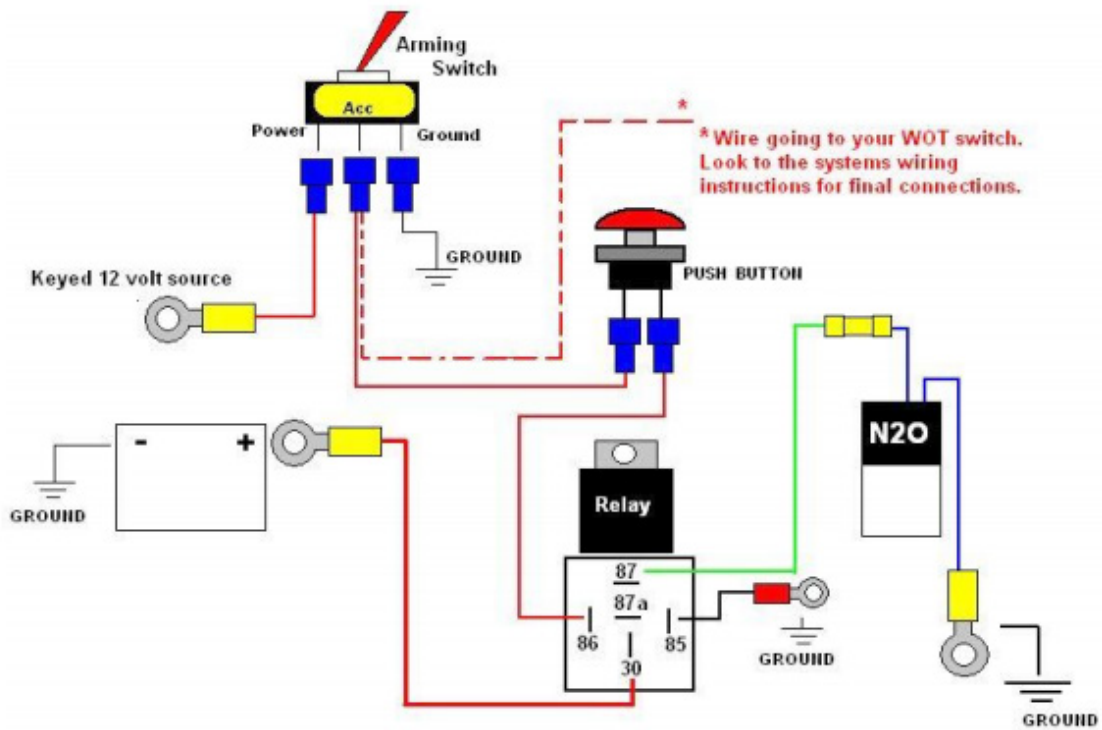
INSTALLATION INSTRUCTIONS



Step 7:

Your purge can now be wired into your nitrous system.

Wiring Diagram



305 S. 28th street Waco, TX 76710 - TEL 254-848-4300

WWW.NITROUSOUTLET.COM

IMPORTANT- ALL APPROPRIATE SAFETY EQUIPMENT (GLOVES, TOOLS ETC.) MUST BE USED DURING THE INSTALLATION OF THIS PRODUCT(S). NITRO DAVE'S LLC ACCEPTS NO RESPONSIBILITY FOR INJURIES RESULTING IN THE INSTALLATION OF ANY PRODUCT(S). NITROUS OXIDE IS FOR OFF-ROAD USE ONLY.



BIG SHOW PURGE KIT

PART NUMBER 00-62002, 00-62003

INSTALLATION INSTRUCTIONS

Parts List:

.112 Nitrous Solenoid
Red Mini Push Button
1/8" NPT x 1/4" NPT Male to Male Fitting
1/8" NPT x 4AN Straight Fitting
Swivel Manifold
1/8" NPT Hex Plug
3' 4AN Purge Line
Relay and Harness

305 S. 28th street Waco, TX 76710 - TEL 254-848-4300

WWW.NITROUSOUTLET.COM

IMPORTANT- ALL APPROPRIATE SAFETY EQUIPMENT (GLOVES, TOOLS ETC.) MUST BE USED DURING THE INSTALLATION OF THIS PRODUCT(S).
NITRO DAVE'S LLC ACCEPTS NO RESPONSIBILITY FOR INJURIES RESULTING IN THE INSTALLATION OF ANY PRODUCT(S). NITROUS OXIDE IS FOR OFF-ROAD USE ONLY.