



10lb/15lb & 12lb Race-Light Bottle Bracket Heated Extrusion Upgrade

PART NUMBERS: 00-32038-H, 00-32038-H-12, 03-32038-H-4, 00-32038-H-6, 00-32038-12-4, 00-32038-12-6

INSTALLATION INSTRUCTIONS

This Nitrous Outlet Heated Extrusion Bracket is designed specifically for the Nitrous Outlet 10lb & 15lb aluminum bottles and the 12lb carbon Race-Light Bottle Brackets. If you need any assistance during installation or if you have questions about this bottle bracket system, call our Tech Help Line at (254) 848-4300.

Tools Needed for Installation: • 5/32" Allen Wrench • 3/16" Allen Wrench

*These are the tools required for installation of this kit on a stock vehicle. Additional tools may be required for supercharger removal/installation. If your vehicle has aftermarket parts, other tools may be required. *

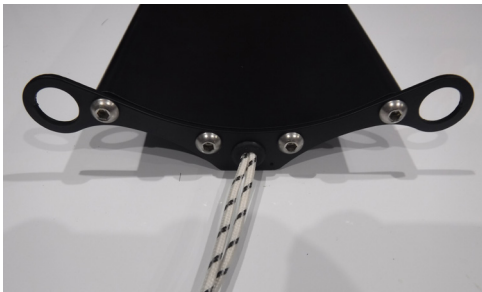


Assembly of Extrusion Bracket

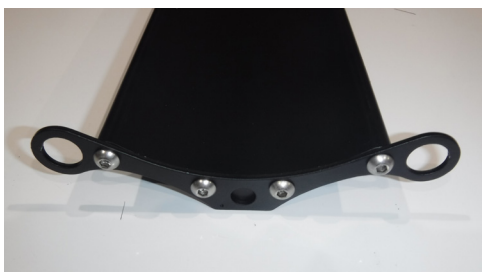
- Install the small rubber grommet into the center hole of one of the extrusion brackets.



- Push the 2 heater wires through the center of the grommet and press the extrusion bracket flush against the front of the bottle cradle.



- Using a 5/32" Allen wrench, attach the extrusion bracket to the bottle cradle with 4 stainless steel 1/4-20 x 1/2" long button head cap screws.



- On the opposite side of the bottle cradle, use a 5/32" Allen wrench, attach the other extrusion bracket to the bottle cradle with the remaining 4 stainless steel 1/4-20 x 1/2" long button head cap screws.

IMPORTANT: All appropriate safety equipment (gloves, tools etc.) must be used during the installation of this product(s).

Nitro Dave's LLC accepts NO responsibility for injuries or damages resulting during and/or from the installation of any product(s). All products are intended for off-road use only.

WWW.NITROUSOUTLET.COM/INSTALLATION-GUIDES



10lb/15lb & 12lb Race-Light Bottle Bracket Heated Extrusion Upgrade

PART NUMBERS: 00-32038-H, 00-32038-H-12, 03-32038-H-4, 00-32038-H-6, 00-32038-12-4, 00-32038-12-6

INSTALLATION INSTRUCTIONS



Installation of Bottle Cradle

- Remove the neck bracket and bottle from your Race-Light Bottle Bracket.



- Using a 3/16" Allen wrench, remove the top U shaped bracket from your Race-Light Bottle Bracket.



- Slide the large holes of the extrusion bracket over the middle bar and side bar of the Race-Light bracket. The extrusion bracket works on either side of the Race-Light bracket. It is your choice as to which side the electrical wiring needs to be located.

IMPORTANT: All appropriate safety equipment (gloves, tools etc.) must be used during the installation of this product(s).

Nitro Dave's LLC accepts NO responsibility for injuries or damages resulting during and/or from the installation of any product(s). All products are intended for off-road use only.

WWW.NITROUSOUTLET.COM/INSTALLATION-GUIDES



10lb/15lb & 12lb Race-Light Bottle Bracket Heated Extrusion Upgrade

PART NUMBERS: 00-32038-H, 00-32038-H-12, 03-32038-H-4, 00-32038-H-6, 00-32038-12-4, 00-32038-12-6

INSTALLATION INSTRUCTIONS



- Reinstall the top U shaped bracket on your assembly.



- Reinstall your bottle and neck bracket.

IMPORTANT: All appropriate safety equipment (gloves, tools etc.) must be used during the installation of this product(s).

Nitro Dave's LLC accepts NO responsibility for injuries or damages resulting during and/or from the installation of any product(s). All products are intended for off-road use only.

WWW.NITROUSOUTLET.COM/INSTALLATION-GUIDES



10lb/15lb & 12lb Race-Light Bottle Bracket Heated Extrusion Upgrade

PART NUMBERS: 00-32038-H, 00-32038-H-12, 03-32038-H-4, 00-32038-H-6, 00-32038-12-4, 00-32038-12-6

INSTALLATION INSTRUCTIONS

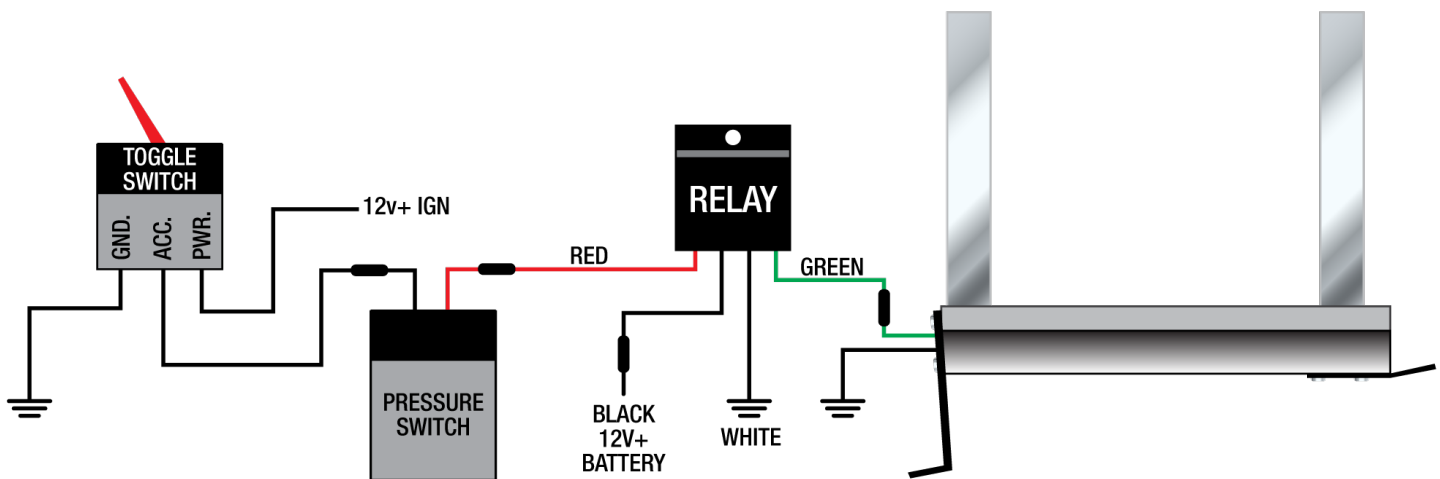


Plumbing

- Install the pressure switch into the female 1/8" NPT port of the manifold. Connect the nitrous feed line to the AN portion of the manifold.

Wiring

- Disconnect the battery
- Using the supplied 14-awg red wire, connect the "power" terminal on the switch to 12V+ ignition signal.
- Using the supplied 14-awg black wire, connect the "ground" terminal on the switch to a chassis ground.
- Using the supplied 14-awg red wire, connect the "acc" terminal on the switch to one terminal of the pressure switch.
- Attach the other terminal of the pressure switch to the red wire of the relay.
- Attach the white wire of the relay to chassis ground.
- Attach the green wire of the relay to one of the heater wires.
- Attach the black wire to a 30A fused 12V+ supply. This should be taken directly from the battery with an in-line fuse.
- Attach the remaining heater wire to chassis ground.
- Reconnect the battery.



IMPORTANT: All appropriate safety equipment (gloves, tools etc.) must be used during the installation of this product(s).

Nitro Dave's LLC accepts NO responsibility for injuries or damages resulting during and/or from the installation of any product(s). All products are intended for off-road use only.

WWW.NITROUSOUTLET.COM/INSTALLATION-GUIDES



10lb/15lb & 12lb Race-Light Bottle Bracket Heated Extrusion Upgrade

PART NUMBERS: 00-32038-H, 00-32038-H-12, 03-32038-H-4, 00-32038-H-6, 00-32038-12-4, 00-32038-12-6

INSTALLATION INSTRUCTIONS

Testing and Operation

- Install a full nitrous bottle into the bracket, connect the hose and open the bottle valve.
- Turn the toggle switch to the "ON" position, the switch should illuminate
- The bracket will get warm and pressure will rise. The pressure will increase about 50psi every 5minutes.
- Attach the remaining heater wire to chassis ground.
- Reconnect the battery.

Monitor the bottle pressure with a pressure gauge. Once the bottle reaches its desired pressure slowly back out the adjustment screw on the pressure switch until you hear the relay click. Once you hear the relay click off, then you're done! The illuminated toggle switch will remain lit at this time, even when the heating element is off.

If the bottle pressure stabilizes below the pressure you want, then tighten the adjustment screw. Only make adjustments of 1 turn at a time giving the bottle at least 10 min stabilize, between adjustments. Once set, 1/2 turns will adjust the pressure by approximately 100psi. The pressure switch has a dead band of 75psi. Example: If you set your pressure to 1000psi the heater will shut off at 1000psi, and will remain off until the bottle pressure drops to 925psi.

WARNING

- **NEVER OPERATE THE HEATER UNLESS A BOTTLE IS SECURELY CLAMPED INTO THE BOTTLE CRADLE AND THE BOTTLE VALVE IS OPEN!**
- **NEVER TOUCH THE BOTTLE CRADLE AFTER USE, IT WILL REMAIN VERY HOT!**
- **BEFORE REMOVING A NITROUS BOTTLE, ALWAYS TURN THE BOTTLE OFF, THEN PURGE ALL NITROUS FROM THE SYSTEM.**

IMPORTANT: All appropriate safety equipment (gloves, tools etc.) must be used during the installation of this product(s).

Nitro Dave's LLC accepts NO responsibility for injuries or damages resulting during and/or from the installation of any product(s). All products are intended for off-road use only.

WWW.NITROUSOUTLET.COM/INSTALLATION-GUIDES