



BILLET HEATED BOTTLE BRACKET

PART NUMBER 00-32014, 00-32018

INSTALLATION INSTRUCTIONS

This Nitrous Outlet Billet Heated Bottle Bracket is designed to provide a solid bottle mounting location and bottle heating solution. If you need any assistance during installation or if you have questions about this bracket, call our Tech Help Line at (254) 848-4300.

Parts List located in back of installation guide

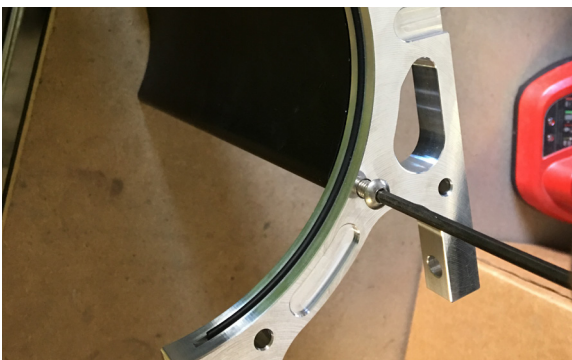
Tools Needed For Installation:

- 3/16" Hex Wrench
- 5/32" Hex Wrench



Step 1:

Put a drop of Red Loc-Tite onto the threads of the studs. Then thread the studs into the stands of the bracket.



Step 2:

Use a 5/32" Hex Wrench to mount the heated plate to the bracket. It will mount via 4 bolts, with 2 on each end of the bracket.

305 S. 28th street Waco, TX 76710 - TEL 254-848-4300

WWW.NITROUSOUTLET.COM

IMPORTANT- ALL APPROPRIATE SAFETY EQUIPMENT (GLOVES, TOOLS ETC.) MUST BE USED DURING THE INSTALLATION OF THIS PRODUCT(S).
NITRO DAVE'S LLC ACCEPTS NO RESPONSIBILITY FOR INJURIES RESULTING IN THE INSTALLATION OF ANY PRODUCT(S). NITROUS OXIDE IS FOR OFF-ROAD USE ONLY.



BILLET HEATED BOTTLE BRACKET

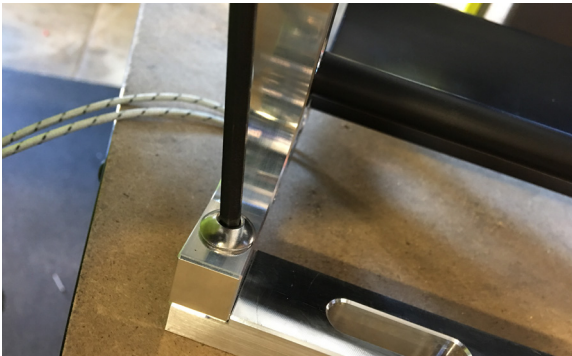
PART NUMBER 00-32014, 00-32018

INSTALLATION INSTRUCTIONS



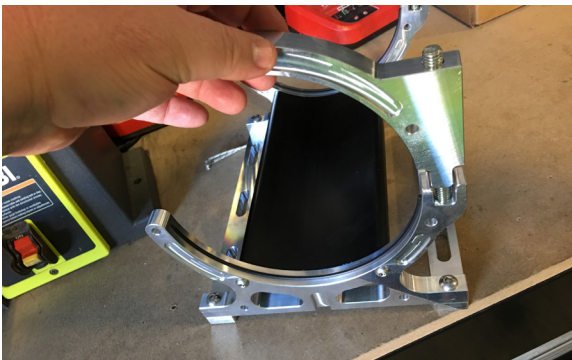
Step 3:

Lay out the base of the bracket, and place the bracket on top of them. Ensure that the bracket fits inside the grooves of the base rails.



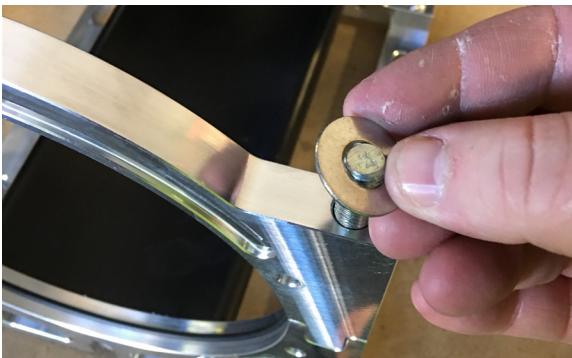
Step 4:

Use a 3/16" Hex Wrench to mount the bracket to the base rails. There are a total of 4 mounting bolts, with 2 on each end of the bracket.



Step 5:

Put the top rings of the bracket onto the studs.



Step 6:

Place washers on the studs.

305 S. 28th street Waco, TX 76710 - TEL 254-848-4300

WWW.NITROUSOUTLET.COM

IMPORTANT- ALL APPROPRIATE SAFETY EQUIPMENT (GLOVES, TOOLS ETC.) MUST BE USED DURING THE INSTALLATION OF THIS PRODUCT(S).
NITRO DAVE'S LLC ACCEPTS NO RESPONSIBILITY FOR INJURIES RESULTING IN THE INSTALLATION OF ANY PRODUCT(S). NITROUS OXIDE IS FOR OFF-ROAD USE ONLY.



BILLET HEATED BOTTLE BRACKET

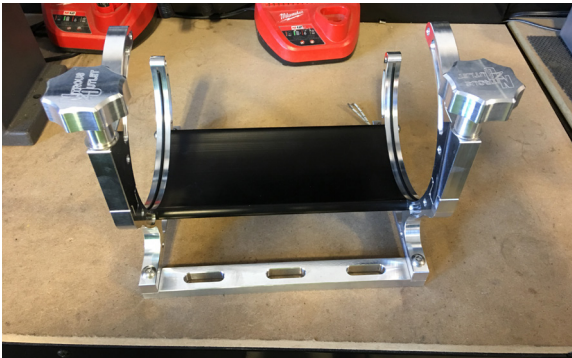
PART NUMBER 00-32014, 00-32018

INSTALLATION INSTRUCTIONS



Step 7:

Screw the knobs onto the studs.



Step 8:

Mount the bracket into your vehicle and wire it into your nitrous system using the attached diagram.

305 S. 28th street Waco, TX 76710 - TEL 254-848-4300

WWW.NITROUSOUTLET.COM

IMPORTANT- ALL APPROPRIATE SAFETY EQUIPMENT (GLOVES, TOOLS ETC.) MUST BE USED DURING THE INSTALLATION OF THIS PRODUCT(S).
NITRO DAVE'S LLC ACCEPTS NO RESPONSIBILITY FOR INJURIES RESULTING IN THE INSTALLATION OF ANY PRODUCT(S). NITROUS OXIDE IS FOR OFF-ROAD USE ONLY.



BILLET HEATED BOTTLE BRACKET

PART NUMBER 00-32014, 00-32018

INSTALLATION INSTRUCTIONS

Bottle Mounting Information

It's very important to mount your bottle in the proper orientation. Ideally, the bottle should be facing with the valve to the front of the vehicle. This is because the siphon tube inside the bottle is curved towards the bottom of the bottle, so it can pick up a steady supply of nitrous. In the event your bottle cannot be mounted front to back, you can mount it at an angle, or even sideways. If you mount the bottle sideways, you'll need to rotate the bottle so that the siphon tube is at a 45° angle. This means the bottle nipple will be facing towards the back of the vehicle at a 45° angle. This is because upon acceleration, the nitrous can be pulled away from the siphon tube. With it at an angle it still allows the siphon tube to be submerged in the nitrous. The siphon tube on Nitrous Outlet bottles are curved in the same direction as the bottle nipple. If the bottle is mounted front-to-back, the nipple should be facing down towards the floor of the vehicle. If you have any questions about mounting your bottle, call our Tech Help line at (254) 848-4300.



305 S. 28th street Waco, TX 76710 - TEL 254-848-4300

WWW.NITROUSOUTLET.COM

IMPORTANT- ALL APPROPRIATE SAFETY EQUIPMENT (GLOVES, TOOLS ETC.) MUST BE USED DURING THE INSTALLATION OF THIS PRODUCT(S).
NITRO DAVE'S LLC ACCEPTS NO RESPONSIBILITY FOR INJURIES RESULTING IN THE INSTALLATION OF ANY PRODUCT(S). NITROUS OXIDE IS FOR OFF-ROAD USE ONLY.



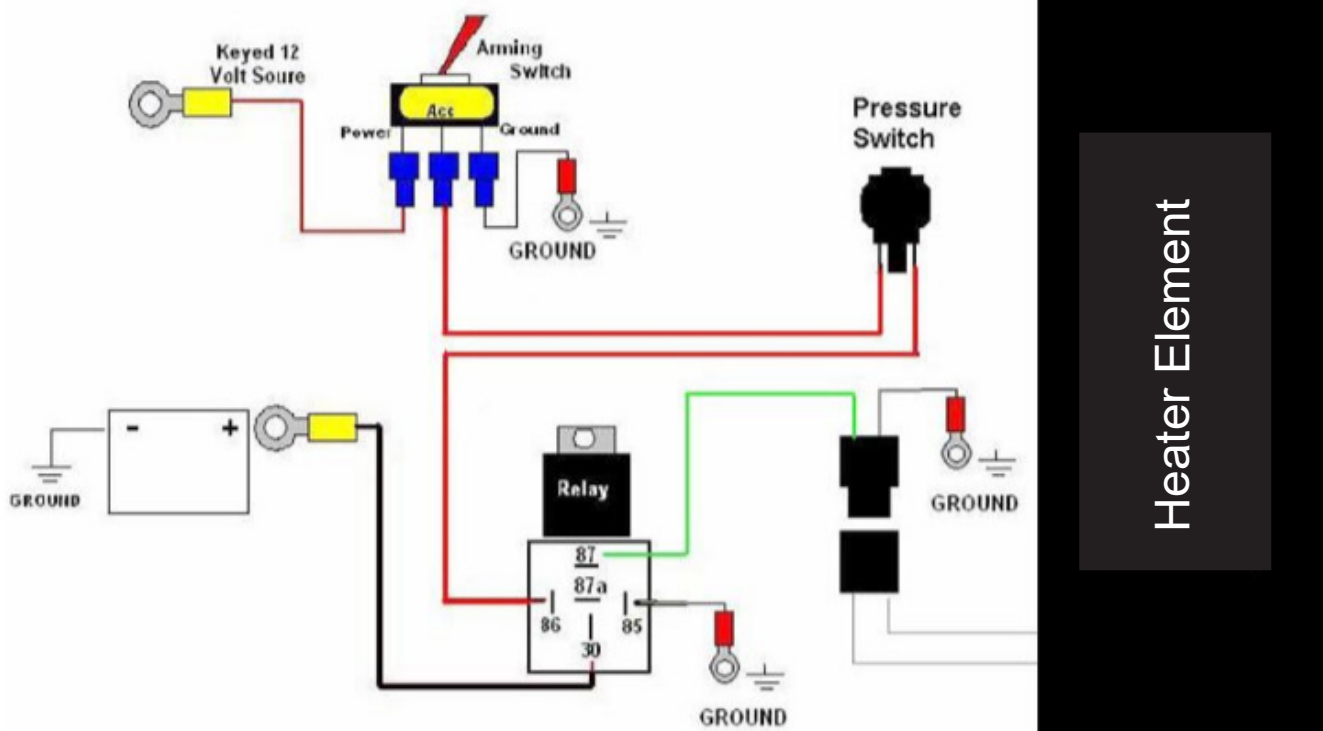
BILLET HEATED BOTTLE BRACKET

PART NUMBER 00-32014, 00-32018

INSTALLATION INSTRUCTIONS

Wiring Diagram

Now that your bracket is installed, you can begin wiring it. When wiring your bracket, double check all of your wiring connections. For a clean, professional install we recommend using heat shrink on all crimped connectors. This will protect the connection, and make the connection stronger between the wire and crimp-on connector.



305 S. 28th street Waco, TX 76710 - TEL 254-848-4300

WWW.NITROUSOUTLET.COM

IMPORTANT- ALL APPROPRIATE SAFETY EQUIPMENT (GLOVES, TOOLS ETC.) MUST BE USED DURING THE INSTALLATION OF THIS PRODUCT(S).
NITRO DAVE'S LLC ACCEPTS NO RESPONSIBILITY FOR INJURIES RESULTING IN THE INSTALLATION OF ANY PRODUCT(S). NITROUS OXIDE IS FOR OFF-ROAD USE ONLY.



BILLET HEATED BOTTLE BRACKET

PART NUMBER 00-32014, 00-32018

INSTALLATION INSTRUCTIONS

Parts List:

Short Bracket
Tall Bracket
2 x Mounting Rails
2 x Knobs
2 x Studs
2 x Washers
4 x Bottle Bracket Assembly Bolts
Heater Element
4 x Heater Mounting Bolts
Swivel Manifold
Bottle Heater Pressure Switch
3 x 2-Way Weather Pack
12ft 12G Red Wire
6ft 18G Blue Wire
2 x Red Butt Connector
2 x Yellow Butt Connector
2 x Red Ring Wire End
2 x Yellow Ring Wire End
5 x Blue Flag Terminals
Duckbill Toggle Switch

305 S. 28th street Waco, TX 76710 - TEL 254-848-4300

WWW.NITROUSOUTLET.COM

IMPORTANT- ALL APPROPRIATE SAFETY EQUIPMENT (GLOVES, TOOLS ETC.) MUST BE USED DURING THE INSTALLATION OF THIS PRODUCT(S).
NITRO DAVE'S LLC ACCEPTS NO RESPONSIBILITY FOR INJURIES RESULTING IN THE INSTALLATION OF ANY PRODUCT(S). NITROUS OXIDE IS FOR OFF-ROAD USE ONLY.