



Universal Switch Panel

UNIVERSAL SWITCH PANEL

Part # 00-11000

INSTALLATION INSTRUCTIONS

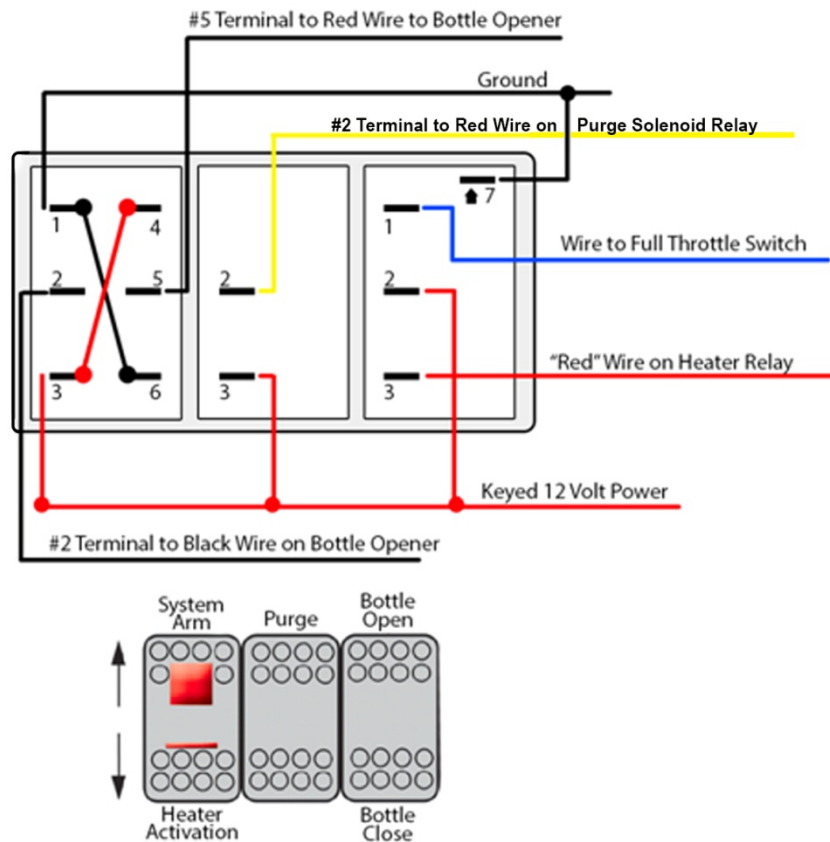
Find a place in the cab to mount your switch panel close to the cockpit.

Route all your wiring for your accessories to the switch panel and make your connections. There is plenty of room to roll any excess wire under the panel, giving yourself a little extra wire will make your install easier, especially any changes down the road.



Following the diagram below, connect each switch as shown. Test each circuit to insure proper function before the switch panel is permanently installed. The switch panel will mount in the front of the center console.

Once all of your wiring is confirmed accurate slide the switch panel into the ashtray hole and press down, the bracket on the back of the switch panel should click into place.



WWW.NITROUSOUTLET.COM

IMPORTANT—All appropriate safety equipment (e.i., gloves, tools) must be used during the installation of this product(s). Nitro Dave's LLC accepts no responsibility for injuries resulting in the installation of any product(s).