



# 2015+ DODGE CHARGER

CONSOLE SWITCH PANEL PART # 00-11040

## INSTALLATION INSTRUCTIONS

**This Nitrous Outlet Switch Panel is designed specifically for the 2015+ Dodge Charger, and mounts inside the center console. If you need any assistance during installation or if you have questions about this item, call our Tech Help Line at (254) 848-4300.**

*\*\*\*Parts List is in the back of this Installation Guide\*\*\**

### Tools Needed For Installation:

- 13mm Wrench
- Trim Tool
- Phillips Screwdriver
- Electric Drill
- Step Bit



### Step 1:

Open the trunk of the vehicle and use a 13mm wrench to disconnect the battery.



### Step 2:

Use a trim tool to pop up the trim panel around the shifter.

305 S. 28th street Waco, TX 76710 - TEL 254-848-4300

[WWW.NITROUSOUTLET.COM](http://WWW.NITROUSOUTLET.COM)

**IMPORTANT- ALL APPROPRIATE SAFETY EQUIPMENT (GLOVES, TOOLS ETC.) MUST BE USED DURING THE INSTALLATION OF THIS PRODUCT(S).  
NITRO DAVE'S LLC ACCEPTS NO RESPONSIBILITY FOR INJURIES RESULTING IN THE INSTALLATION OF ANY PRODUCT(S). NITROUS OXIDE IS FOR OFF-ROAD USE ONLY.**



# 2015+ DODGE CHARGER

CONSOLE SWITCH PANEL PART # 00-11040

## INSTALLATION INSTRUCTIONS



### Step 3:

If equipped, remove the plastic accessory rails inside the storage compartment by pulling outwards on them.



### Step 4:

Gently lift the trim around the cupholders. It may take some force to get the clips to pop loose.



### Step 5:

Use a Phillips Screwdriver to remove the 4 screws on the cupholder trim.



### Step 6:

Gently remove the trim panel that contains the cupholder cover.

305 S. 28th street Waco, TX 76710 - TEL 254-848-4300

WWW.NITROUSOUTLET.COM

IMPORTANT- ALL APPROPRIATE SAFETY EQUIPMENT (GLOVES, TOOLS ETC.) MUST BE USED DURING THE INSTALLATION OF THIS PRODUCT(S).  
NITRO DAVE'S LLC ACCEPTS NO RESPONSIBILITY FOR INJURIES RESULTING IN THE INSTALLATION OF ANY PRODUCT(S). NITROUS OXIDE IS FOR OFF-ROAD USE ONLY.



# 2015+ DODGE CHARGER

CONSOLE SWITCH PANEL PART # 00-11040

## INSTALLATION INSTRUCTIONS



### Step 7:

Use a Phillips Screwdriver to remove the 2 screws that hold that cupholder in place. After the screws are loose, lift the cupholder up out of the way.



### Step 8:

Route the wires of your nitrous system into the center console. If needed, you can use string to 'fish' them through the console.



### Step 9:

Use an electric drill and Step Bit to drill a hole in the bottom front of the center console. Make the hole large enough to pass all of the wires you'll need through.



### Step 10:

After the hole is drilled, clean the area with a vacuum.

305 S. 28th street Waco, TX 76710 - TEL 254-848-4300

WWW.NITROUSOUTLET.COM

IMPORTANT- ALL APPROPRIATE SAFETY EQUIPMENT (GLOVES, TOOLS ETC.) MUST BE USED DURING THE INSTALLATION OF THIS PRODUCT(S).  
NITRO DAVE'S LLC ACCEPTS NO RESPONSIBILITY FOR INJURIES RESULTING IN THE INSTALLATION OF ANY PRODUCT(S). NITROUS OXIDE IS FOR OFF-ROAD USE ONLY.

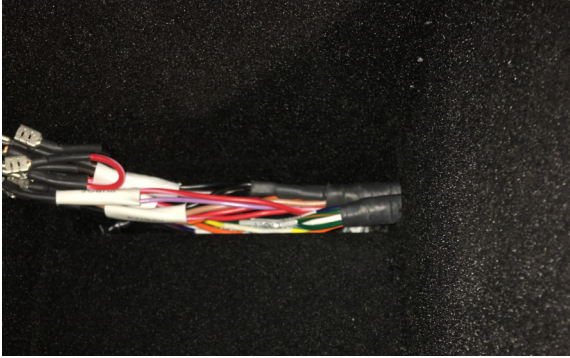




# 2015+ DODGE CHARGER

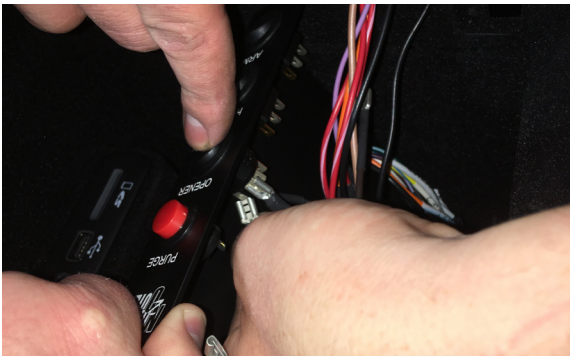
CONSOLE SWITCH PANEL PART # 00-11040

## INSTALLATION INSTRUCTIONS



### Step 11:

Route the wires through the hole and into the center console storage compartment.



### Step 12:

Use the attached wiring diagram to wire your switch panel into your nitrous system.



### Step 13:

Push the switch panel down into the console. If it does not sit down evenly, check the wires to ensure nothing is pinched. You can now begin re-assembly.

305 S. 28th street Waco, TX 76710 - TEL 254-848-4300

WWW.NITROUSOUTLET.COM

IMPORTANT- ALL APPROPRIATE SAFETY EQUIPMENT (GLOVES, TOOLS ETC.) MUST BE USED DURING THE INSTALLATION OF THIS PRODUCT(S).  
NITRO DAVE'S LLC ACCEPTS NO RESPONSIBILITY FOR INJURIES RESULTING IN THE INSTALLATION OF ANY PRODUCT(S). NITROUS OXIDE IS FOR OFF-ROAD USE ONLY.

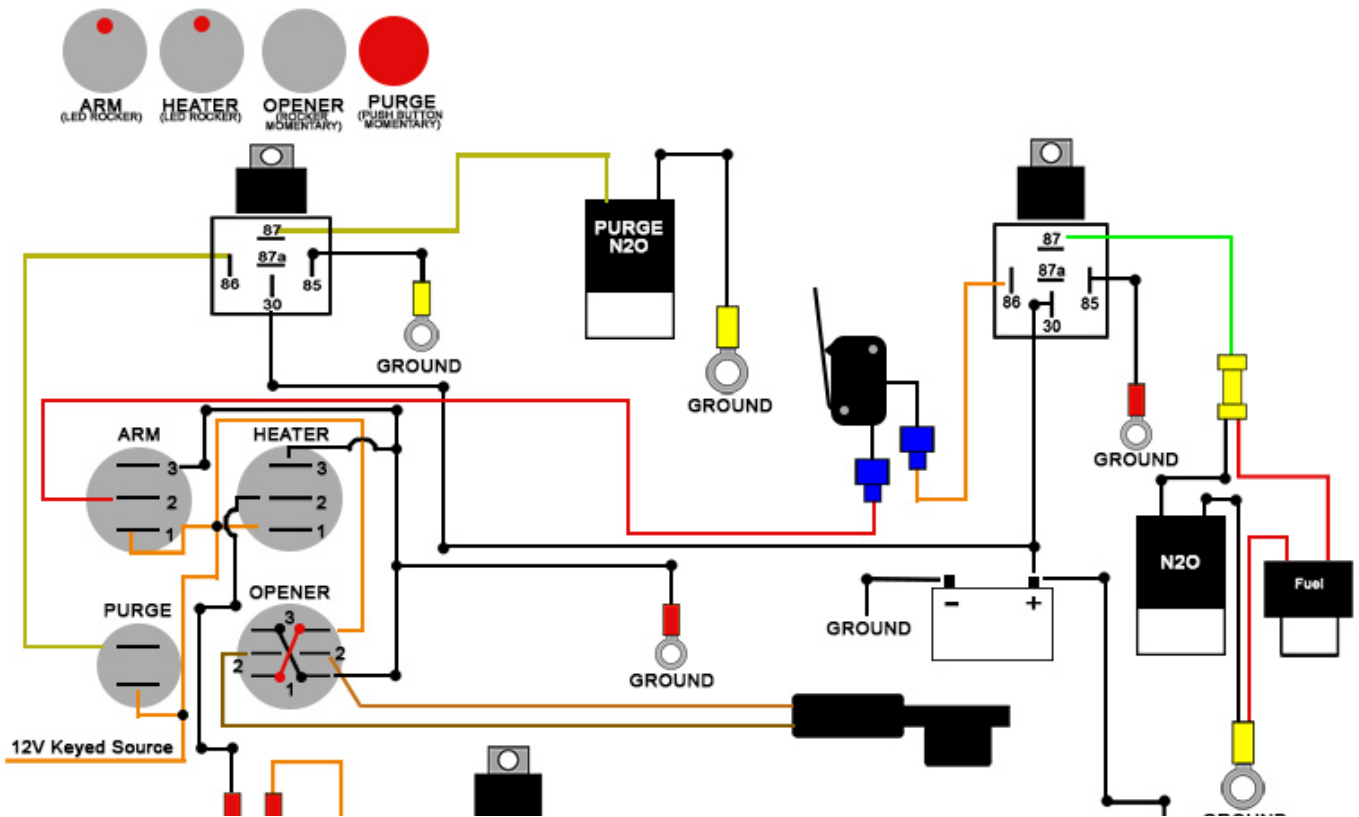


# 2015+ DODGE CHARGER

CONSOLE SWITCH PANEL PART # 00-11040

## INSTALLATION INSTRUCTIONS

### Wiring Diagram



305 S. 28th street Waco, TX 76710 - TEL 254-848-4300

WWW.NITROUSOUTLET.COM

IMPORTANT- ALL APPROPRIATE SAFETY EQUIPMENT (GLOVES, TOOLS ETC.) MUST BE USED DURING THE INSTALLATION OF THIS PRODUCT(S).  
NITRO DAVE'S LLC ACCEPTS NO RESPONSIBILITY FOR INJURIES RESULTING IN THE INSTALLATION OF ANY PRODUCT(S). NITROUS OXIDE IS FOR OFF-ROAD USE ONLY.



# 2015+ DODGE CHARGER

CONSOLE SWITCH PANEL PART # 00-11040

INSTALLATION INSTRUCTIONS

## Parts List:

Switch Panel

2 x Mini Rocker with Red LED

Mini Rocker Momentary Switch

Red Mini Push Button

12 x Blue Female Push-On Wire Ends

2 x Red Mini Female Push-On Wire Ends

305 S. 28th street Waco, TX 76710 - TEL 254-848-4300

WWW.NITROUSOUTLET.COM

IMPORTANT- ALL APPROPRIATE SAFETY EQUIPMENT (GLOVES, TOOLS ETC.) MUST BE USED DURING THE INSTALLATION OF THIS PRODUCT(S).  
NITRO DAVE'S LLC ACCEPTS NO RESPONSIBILITY FOR INJURIES RESULTING IN THE INSTALLATION OF ANY PRODUCT(S). NITROUS OXIDE IS FOR OFF-ROAD USE ONLY.