



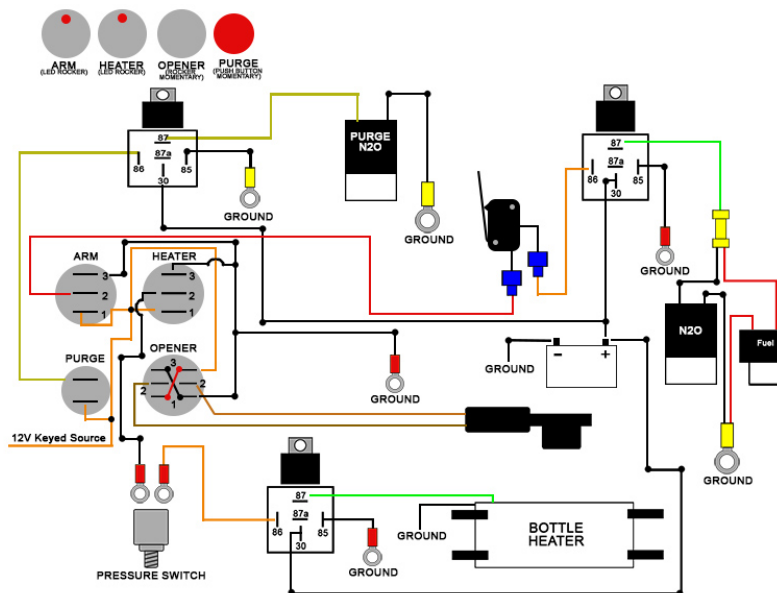
08-14 Challenger Switch Panel

08-14 CHALLENGER COIN TRAY SWITCH PANEL

Part # 00-11028

INSTALLATION INSTRUCTIONS

1. This panel fits over the coin tray in the center console of your 08-14 Challenger. You may need to drill a hole in the bottom of the coin tray to feed the wires through. You may need to remove the center console to route your wiring.
2. Route all your wiring for your accessories to the switch panel and make your connections. There is plenty of room to roll any excess wire under the panel, giving yourself a little extra wire will make your install easier, especially if there are any changes down the road.
3. Connect all of your wiring using the diagram below.
4. Test the system and make sure your wiring is correct. With the key in the on position turn on system arm, the solenoids should click. If they don't something is wired wrong. If they do click then turn on the heater and see if it gets warm, then try your purge. Once everything is working correctly move to the next step.
5. Place the switch panel over the coin tray and press it down, the panel is designed to be wide enough to fit snug and hold your switch panel in place.
6. Put the console back together and you are ready to go.



BUTTON CONFIGURATION ON SWITCH PANEL MAY DIFFER

WWW.NITROUSOUTLET.COM

IMPORTANT—All appropriate safety equipment (e.i., gloves, tools) must be used during the installation of this product(s). Nitro Dave's LLC accepts no responsibility for injuries resulting in the installation of any product(s).