

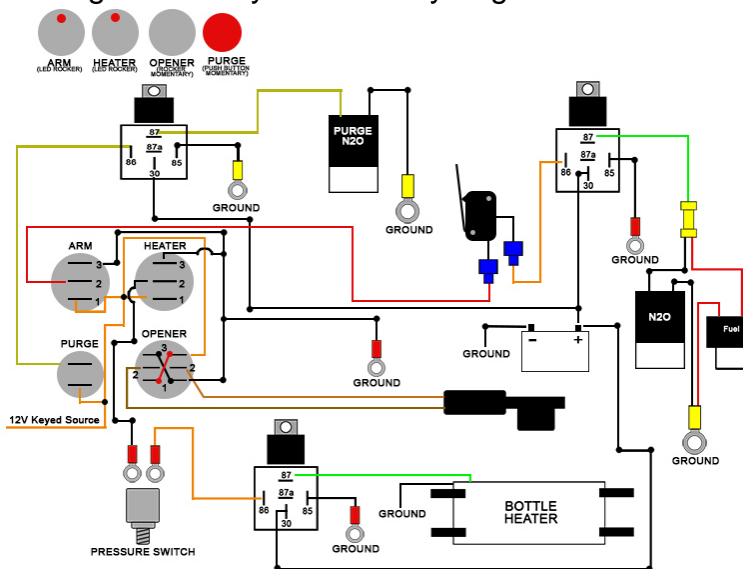
05-11 Mopar Switch Panel

300/Challenger/Magnum ASHTRAY SWITCH PANEL

Part # 00-11018

INSTALLATION INSTRUCTIONS

1. This panel fits in the ashtray compartment of your Car. Fold your ashtray down and remove the metal or plastic ashtray housing. You may need to remove the center console to route your wiring.
2. Route all your wiring for your accessories to the switch panel and make your connections. There is plenty of room to roll any excess wire under the panel, giving yourself a little extra wire will make your install easier, especially if there are any changes down the road.
3. Connect all of your wiring using the diagram below.
4. Test the system and make sure your wiring is correct. With the key in the on position turn on system arm, the solenoids should click. If they don't something is wired wrong. If they do click then turn on the heater and see if it gets warm, then try your purge. Once everything is working correctly move to the next step.
5. Slide the switch panel into the ashtray, push the top bent tab in first, then "fold" the switch panel down into place. This switch panel is designed to fit snugly in the ashtray without having to bolt it down.
6. Put the console back together and you are ready to go.



BUTTON CONFIGURATION ON SWITCH PANEL MAY DIFFER