



# 2-1/16" Universal Gauge Pod Switch Panel

PART NUMBER: 00-11004

## INSTALLATION INSTRUCTIONS

This Nitrous Outlet Gauge Pod Switch Panel is designed to fit commercially available 2-1/16" A-pillar gauge pods. If you need any assistance during installation or if you have questions about this Switch Panel, call our Tech Help Line at (254) 848-4300.

### Tools Needed for Installation\*:

- 9mm Deep Socket
- Drill
- Step Bit up to 11/16"

**\*These are the tools required for installation of this kit on a stock vehicle. If your vehicle has aftermarket parts, other tools may be required.**



### Step 1:

Install your gauge pod per manufacturer's instructions. Install the switch panel in the empty pod using the following steps.



### Step 2:

The switch panel will be shipped with the face panel installed on the harness. Remove the face panel by unscrewing the black switch covers. Using a 9mm deep socket, remove the purge button nut.



### Step 3:

Drill an access hole at least 11/16" diameter in the A-pillar cover.

**IMPORTANT- ALL APPROPRIATE SAFETY EQUIPMENT (GLOVES, TOOLS ETC.) MUST BE USED DURING THE INSTALLATION OF THIS PRODUCT(S). NITRO DAVE'S LLC ACCEPTS NO RESPONSIBILITY FOR INJURIES RESULTING IN THE INSTALLATION OF ANY PRODUCT(S). NITROUS OXIDE IS FOR OFF-ROAD USE ONLY.**

[WWW.NITROUSOUTLET.COM/INSTALLATION-GUIDES](http://WWW.NITROUSOUTLET.COM/INSTALLATION-GUIDES)



## 2-1/16" Universal Gauge Pod Switch Panel

PART NUMBER: 00-11004

### INSTALLATION INSTRUCTIONS



#### Step 4:

Route the wiring harness through the drilled hole and down the A-pillar.



#### Step 5:

Place the gauge pod over the switch end of the wiring harness with the backing plate in place.



#### Step 6:

Place the face panel over the switches and install the switch covers and purge button nut. Only snug them in place, you will need to orient the panel after installing the gauge pod.



#### Step 7:

Install the gauge pod to the A-pillar. Turn the switch panel to the desired orientation and tighten the switch covers and purge button nut. The nut only needs to be hand tight.

IMPORTANT- ALL APPROPRIATE SAFETY EQUIPMENT (GLOVES, TOOLS ETC.) MUST BE USED DURING THE INSTALLATION OF THIS PRODUCT(S). NITRO DAVE'S LLC ACCEPTS NO RESPONSIBILITY FOR INJURIES RESULTING IN THE INSTALLATION OF ANY PRODUCT(S). NITROUS OXIDE IS FOR OFF-ROAD USE ONLY.

[WWW.NITROUSOUTLET.COM/INSTALLATION-GUIDES](http://WWW.NITROUSOUTLET.COM/INSTALLATION-GUIDES)



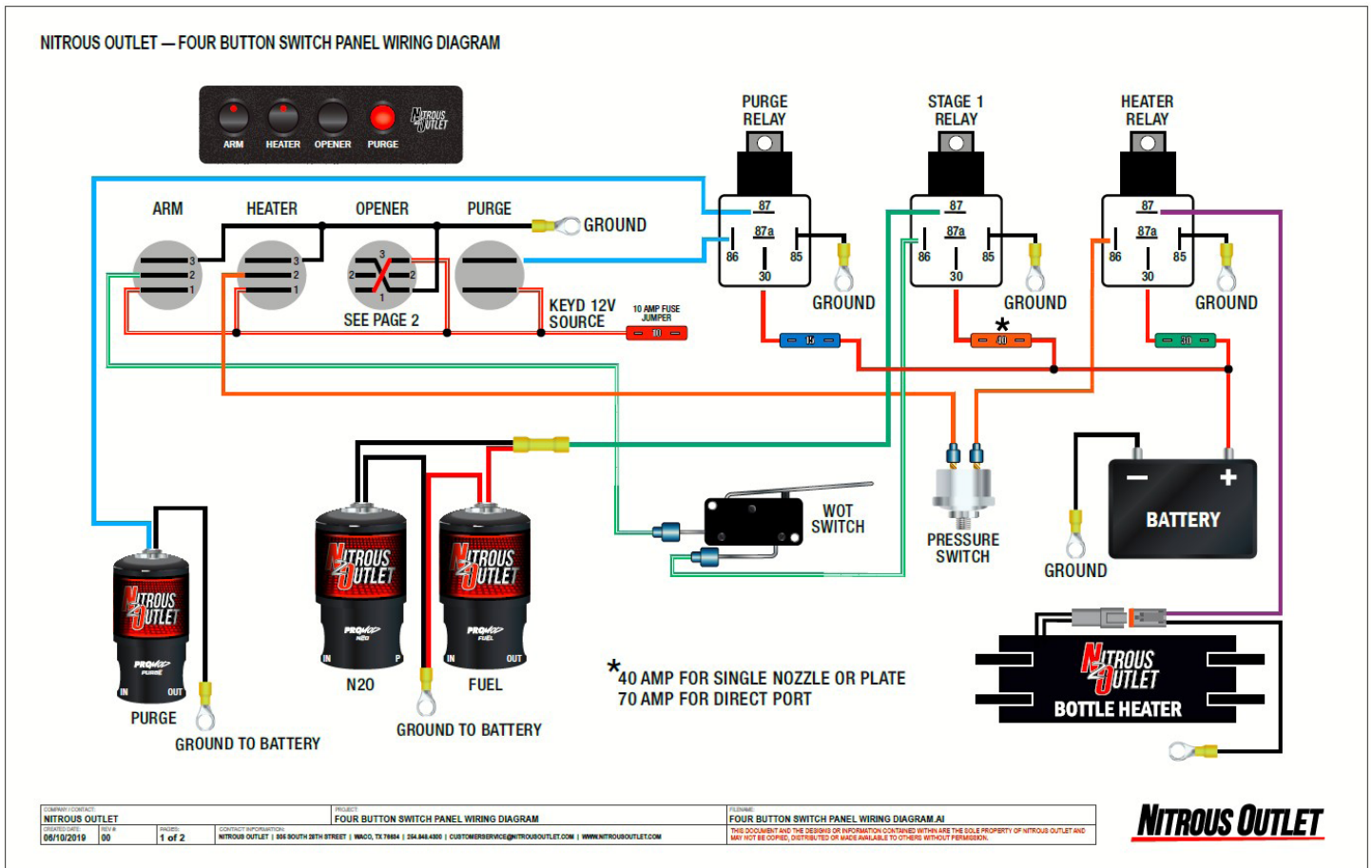
# 2-1/16" Universal Gauge Pod Switch Panel

PART NUMBER: 00-11004

## INSTALLATION INSTRUCTIONS

### Step 8:

Connect the wiring using the diagram provided. Test the system and make sure your wiring is correct. With the key in the "ON" position turn on system arm, the solenoids should click. If they do not, something is wired incorrectly. If they do, then turn on the heater and see if it gets warm. Once everything is working correctly move to the next step.



IMPORTANT- ALL APPROPRIATE SAFETY EQUIPMENT (GLOVES, TOOLS ETC.) MUST BE USED DURING THE INSTALLATION OF THIS PRODUCT(S). NITRO DAVE'S LLC ACCEPTS NO RESPONSIBILITY FOR INJURIES RESULTING IN THE INSTALLATION OF ANY PRODUCT(S). NITROUS OXIDE IS FOR OFF-ROAD USE ONLY.

[WWW.NITROUSOUTLET.COM/INSTALLATION-GUIDES](http://WWW.NITROUSOUTLET.COM/INSTALLATION-GUIDES)

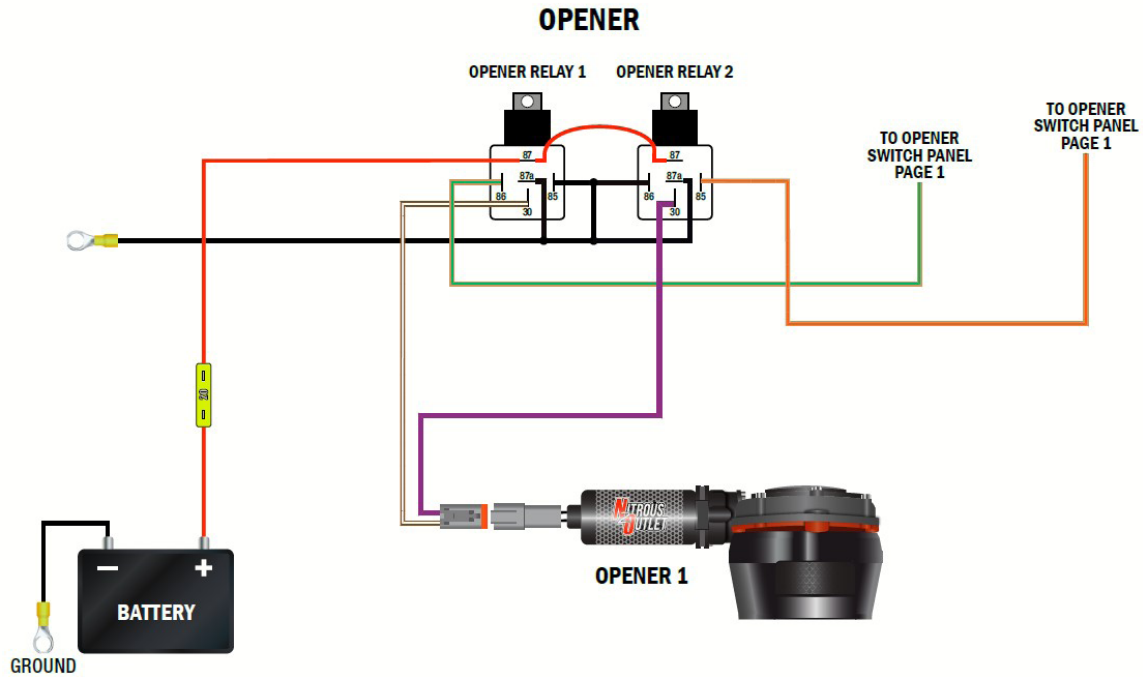


# 2-1/16" Universal Gauge Pod Switch Panel

PART NUMBER: 00-11004

## INSTALLATION INSTRUCTIONS

NITROUS OUTLET — OPENER WIRING DIAGRAM



<b>NITROUS OUTLET</b> <small>CREATED DATE: 09/23/2019    REV # 00</small>		<b>OPENER WIRING DIAGRAM</b> <small>ISSUE: 2 of 2</small>	<small>CONTACT INFORMATION:          NITROUS OUTLET   305 SOUTH 28TH STREET   WACO, TX 76710   254.848.4300   CUSTOMERSERVICE@NITROUSOUTLET.COM   WWW.NITROUSOUTLET.COM</small>	<small>OPENER WIRING DIAGRAM.A1          THIS DOCUMENT AND THE DESIGN OR INFORMATION CONTAINED WITHIN ARE THE SOLE PROPERTY OF NITROUS OUTLET AND MAY NOT BE COPIED, DISTRIBUTED OR MADE AVAILABLE TO OTHERS WITHOUT PERMISSION.</small>
--	--	--	---	--



### Step 9:

Once everything is connected, oriented, and working properly reinstall the A-pillar.



IMPORTANT- ALL APPROPRIATE SAFETY EQUIPMENT (GLOVES, TOOLS ETC.) MUST BE USED DURING THE INSTALLATION OF THIS PRODUCT(S). NITRO DAVE'S LLC ACCEPTS NO RESPONSIBILITY FOR INJURIES RESULTING IN THE INSTALLATION OF ANY PRODUCT(S). NITROUS OXIDE IS FOR OFF-ROAD USE ONLY.

[WWW.NITROUSOUTLET.COM/INSTALLATION-GUIDES](http://WWW.NITROUSOUTLET.COM/INSTALLATION-GUIDES)