



1998-2002 F-Body Switch Panel

F-Body Switch Panel With Gauge Hole

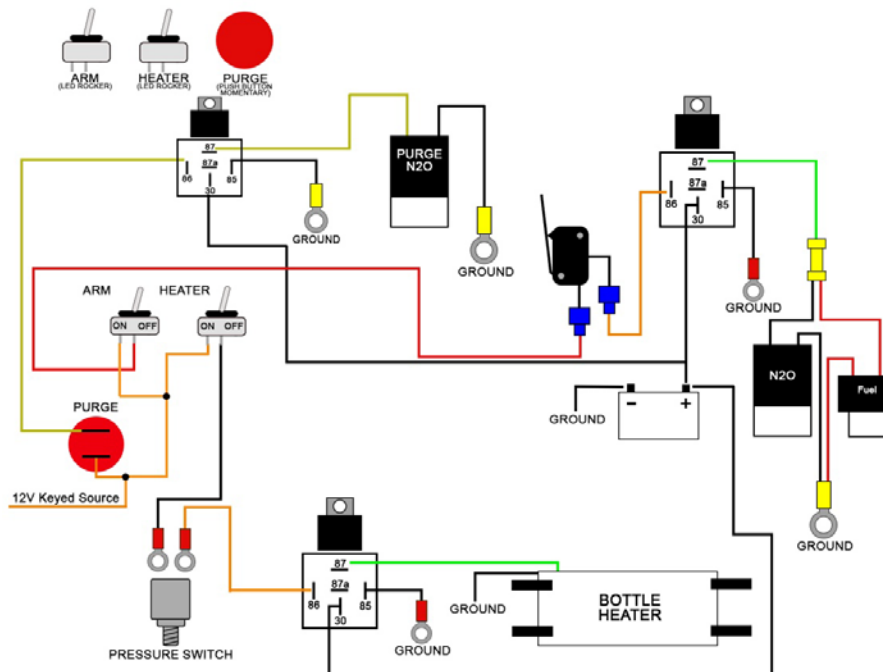
Part # 00-11003

INSTALLATION INSTRUCTIONS

This switch panel consists of:

- 1 Aircraft style safety toggle system activation switch
- 1 Aircraft style safety toggle heater switch
- 1 Momentary push button purge switch
- 6 Large push on terminals, 4 medium push on terminals, and 2 small push on terminals

Following the diagram below, connect each switch as shown. Test each circuit to insure proper function before the switch panel is permanently installed. The switch panel will mount in the front of the center console. This switch panel comes with a 2/16" gauge hole that will fit most standard aftermarket gauge sizes.



WWW.NITROUSOUTLET.COM

IMPORTANT—All appropriate safety equipment (e.i., gloves, tools) must be used during the installation of this product(s). Nitro Dave's LLC accepts no responsibility for injuries resulting in the installation of any product(s).