



**CHEVROLET V-8
EASY CHANGE
SPIN-ON OIL FILTER
PART NO. 1059/1359**

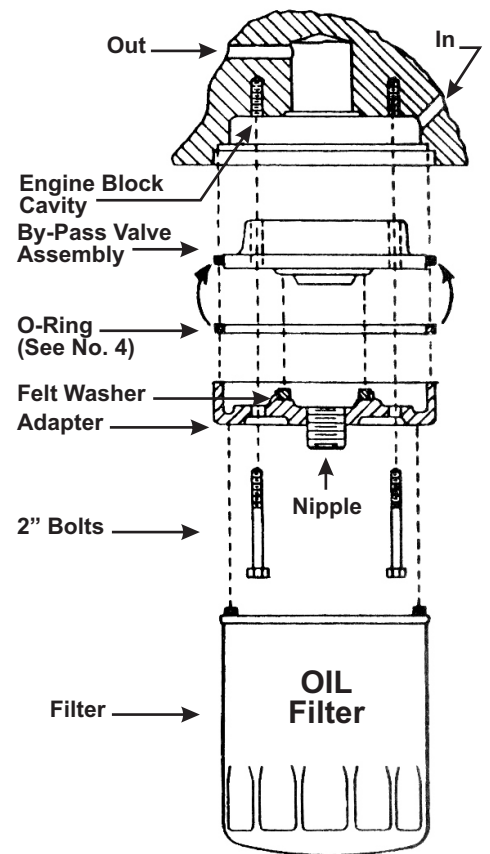
1059 Fits all 1956-67 SBC V-8 Cars and Trucks (1/4" Bolts)
1359 Fits all 1968-up SBC & BBC V-8 Cars and Trucks (5/16" Bolts)

INSTALLATION INSTRUCTIONS

SPECIAL NOTE: Do not discard the original by-pass relief valve assembly equipment. It must be reused with this kit. Please read instructions carefully.

Always use caution when doing this procedure. Wear safety glasses, protective gloves and clothing. Never work on a hot engine.

1. Remove filter shell (with cartridge) from engine and discard or recycle properly.
2. Remove the two original bolts from the by-pass valve assembly in block cavity. Remove assembly and old gasket. Discard bolts and gasket only.
CAUTION: Do not discard by-pass valve assembly because proper seat and seal for O-ring is not possible.
3. Clean by-pass valve assembly in solvent and clean O-ring groove in block.
4. Install new O-ring around outside of by-pass valve assembly. Position it so that it is about in the middle of the outside section. Peel and stick the felt washer to the adapter (see diagram).
5. Place adapter on by-pass valve assembly so the felt washer of adapter contacts flat sealing surface of the by-pass plate. Line up bolt holes in adapter with bolt holes in by-pass plate and insert 2" bolts.
6. Holding assembly together, carefully insert into engine block cavity and tighten bolts equally until hand tight. Then tighten each bolt one turn with wrench.
(Note: Max. torque 8ft. lbs.)
7. Install Fram PH30, PH13, or other compatible filter (not included) per manufactures instruction.
8. Add sufficient oil for filter. Run engine (just above idle) for 5 minutes and check for leaks. Re-check oil level.



12438 Putnam Street • Whittier, CA 90602 tel (562) 921-0404 • fax (562) 921-7515
website: www.tdperformance.com • email: techsupport@tdperformance.com

1059-Instructionsheet-010506.cdr



**CHEVROLET V-8
EASY CHANGE
SPIN-ON OIL FILTER
PART NO. 1059/1359**

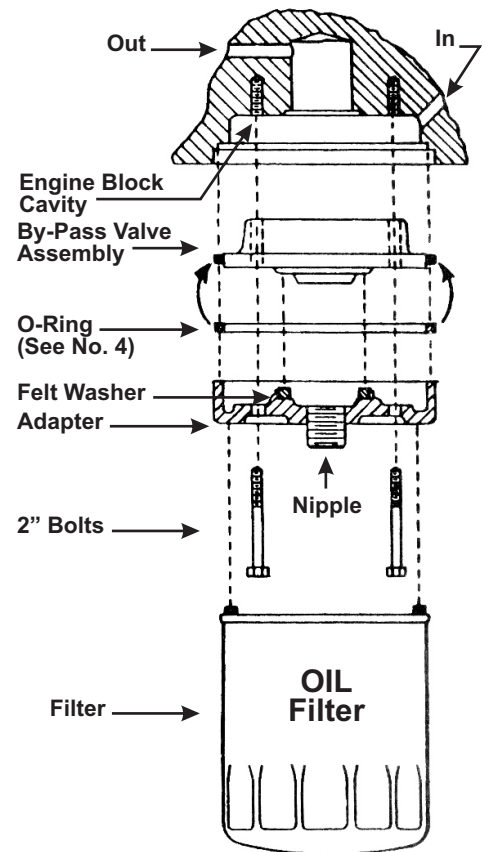
1059 Fits all 1956-67 SBC V-8 Cars and Trucks (1/4" Bolts)
1359 Fits all 1968-up SBC & BBC V-8 Cars and Trucks (5/16" Bolts)

INSTALLATION INSTRUCTIONS

SPECIAL NOTE: Do not discard the original by-pass relief valve assembly equipment. It must be reused with this kit. Please read instructions carefully.

Always use caution when doing this procedure. Wear safety glasses, protective gloves and clothing. Never work on a hot engine.

1. Remove filter shell (with cartridge) from engine and discard or recycle properly.
2. Remove the two original bolts from the by-pass valve assembly in block cavity. Remove assembly and old gasket. Discard bolts and gasket only.
CAUTION: Do not discard by-pass valve assembly because proper seat and seal for O-ring is not possible.
3. Clean by-pass valve assembly in solvent and clean O-ring groove in block.
4. Install new O-ring around outside of by-pass valve assembly. Position it so that it is about in the middle of the outside section. Peel and stick the felt washer to the adapter (see diagram).
5. Place adapter on by-pass valve assembly so the felt washer of adapter contacts flat sealing surface of the by-pass plate. Line up bolt holes in adapter with bolt holes in by-pass plate and insert 2" bolts.
6. Holding assembly together, carefully insert into engine block cavity and tighten bolts equally until hand tight. Then tighten each bolt one turn with wrench.
(Note: Max. torque 8ft. lbs.)
7. Install Fram PH30, PH13, or other compatible filter (not included) per manufactures instruction.
8. Add sufficient oil for filter. Run engine (just above idle) for 5 minutes and check for leaks. Re-check oil level.



12438 Putnam Street • Whittier, CA 90602 tel (562) 921-0404 • fax (562) 921-7515
website: www.tdperformance.com • email: techsupport@tdperformance.com

1059-Instructionsheet-052709.cdr