



18" FAN SHROUD

1955-57 CHEVY V8
37155-VCF

- THE VINTAGE AIR FAN SHROUD IS DESIGNED FOR AN 18" HEAVY DUTY FAN (#32918-VUF).
- WITH POWER STEERING IT MAY BE NECESSARY TO SPACE THE FAN FORWARD 3/8". A SPACER KIT IS AVAILABLE FROM VINTAGE AIR (#32155-VCF).
- REMOVE THE FOLLOWING:
 1. TOP RADIATOR HOSE.
 2. RADIATOR TOP AND BOTTOM SUPPORT BOLTS, SEE FIGURE 1. **DO NOT REMOVE THE CENTER BOLT** - THIS WILL HOLD RADIATOR AND CONDENSER IN ALIGNMENT.

- INSERT BOTTOM HALF OF FAN SHROUD. SEE FIGURE 2.
- INSTALL TOP HALF OF FAN SHROUD TO RADIATOR USING FOUR (4) OEM RADIATOR SUPPORT BOLTS. SEE FIGURE 3.
- IF APPLICABLE - CHECK FOR CLEARANCE AT THE POWER STEERING PUMP DRIVE PULLEY. TRIM FOR CLEARANCE IF NECESSARY.

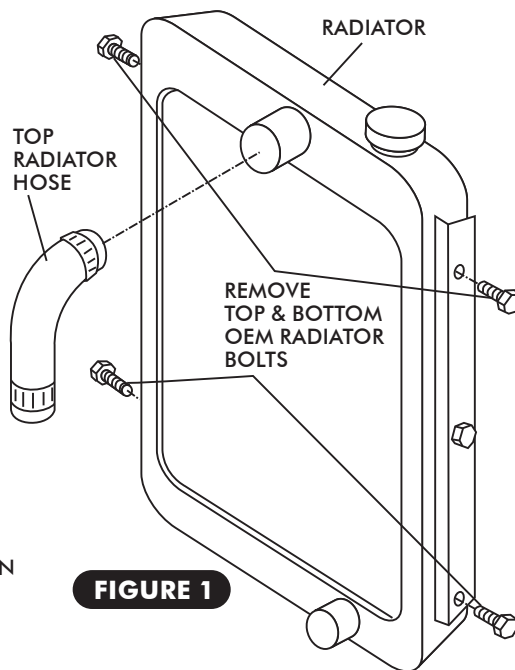


FIGURE 1

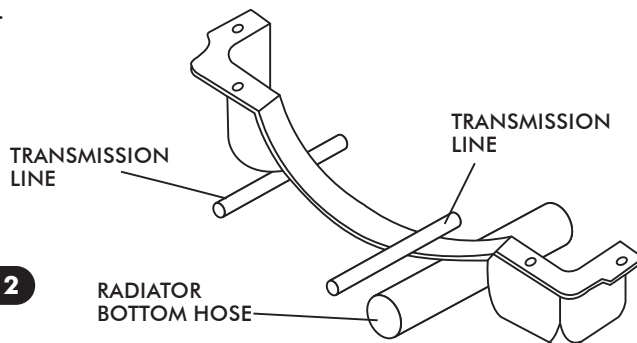


FIGURE 2

- SECURE BOTTOM HALF OF FAN SHROUD WITH FOUR (4) 10/32 x 1/2" SCREWS. SEE FIGURE 4
- REINSTALL RADIATOR TOP HOSE.

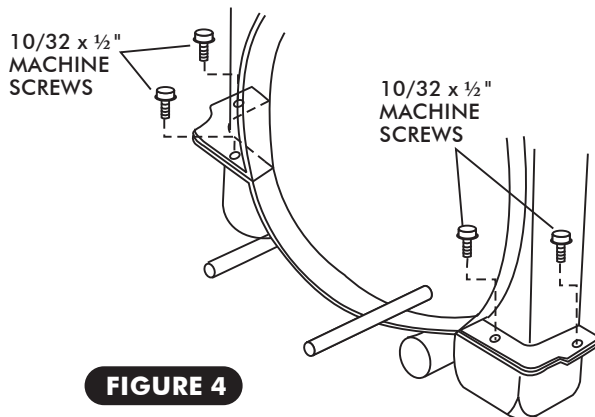


FIGURE 4

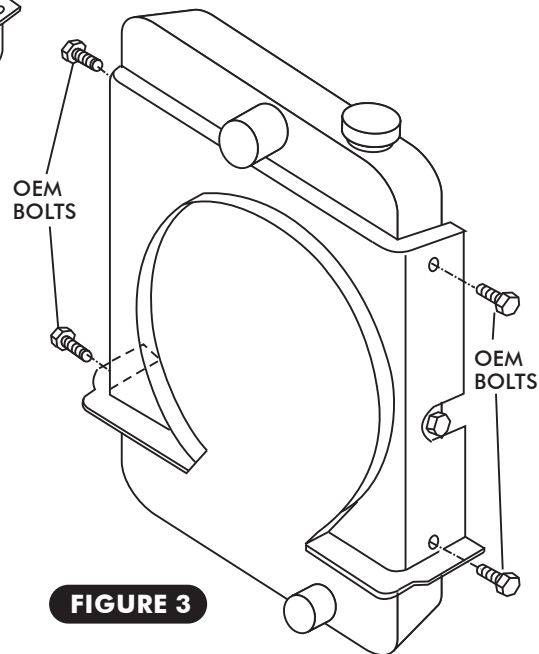


FIGURE 3