

ASSEMBLY INSTRUCTIONS
FOR
1997 - 2013 CHEVROLET CORVETTE FRONT SPINDLES
USING 13.38" (340mm) Z51 or 13.98" (355mm) Z06 AND
GRAND-SPORT OE TYPE FRONT ROTORS*

*For additional vehicle compatibility, visit www.wilwood.com

AEROLITE 6R CALIPER, BRACKET, AND BRAKE PAD BRAKE KIT
BASE PART NUMBER
140-12629

DISC BRAKES SHOULD ONLY BE INSTALLED BY SOMEONE
EXPERIENCED AND COMPETENT IN THE INSTALLATION AND
MAINTENANCE OF DISC BRAKES
READ ALL WARNINGS

WARNING

IT IS THE RESPONSIBILITY OF THE PERSON INSTALLING ANY BRAKE COMPONENT OR KIT TO DETERMINE THE SUITABILITY OF THE COMPONENT OR KIT FOR THAT PARTICULAR APPLICATION. IF YOU ARE NOT SURE HOW TO SAFELY USE THIS BRAKE COMPONENT OR KIT, YOU SHOULD NOT INSTALL OR USE IT. DO NOT ASSUME ANYTHING. IMPROPERLY INSTALLED OR MAINTAINED BRAKES ARE DANGEROUS. IF YOU ARE NOT SURE, GET HELP OR RETURN THE PRODUCT. YOU MAY OBTAIN ADDITIONAL INFORMATION AND TECHNICAL SUPPORT BY CALLING WILWOOD AT (805) 388-1188, OR VISIT OUR WEB SITE AT WWW.WILWOOD.COM. USE OF WILWOOD TECHNICAL SUPPORT DOES NOT GUARANTEE PROPER INSTALLATION. **YOU**, OR THE PERSON WHO DOES THE INSTALLATION MUST KNOW HOW TO PROPERLY USE THIS PRODUCT. IT IS NOT POSSIBLE OVER THE PHONE TO UNDERSTAND OR FORESEE ALL THE ISSUES THAT MIGHT ARISE IN YOUR INSTALLATION.

RACING EQUIPMENT AND BRAKES MUST BE MAINTAINED AND SHOULD BE CHECKED REGULARLY FOR FATIGUE, DAMAGE, AND WEAR.



Need Additional Information?
Use Your SmartPhone and
Jump to Our Technical Tips
Section on Our Web Site.



WARNING

DO NOT OPERATE ANY VEHICLE ON UNTESTED BRAKES!
SEE MINIMUM TEST PROCEDURE WITHIN

ALWAYS UTILIZE SAFETY RESTRAINT SYSTEMS AND ALL OTHER AVAILABLE SAFETY EQUIPMENT WHILE OPERATING THE VEHICLE

IMPORTANT • READ THE DISCLAIMER OF WARRANTY INCLUDED IN THE KIT

NOTE: Some cleaners may stain or remove the finish on brake system components. Test the cleaner on a hidden portion of the component before general use.

Important Notice - Read This First

Before any tear-down or disassembly begins, review the following information:

- Use of this kit generally requires 18" wheels. In some cases, using the 13.38" diameter Z51 rotor may fit with 17" wheels. Please refer to the wheel clearance diagram (Figure 2, page 3) for minimum clearance requirements and compatibility with your wheels and preferred rotor size. Parts that have been installed may not be returned or exchanged.
- This brake kit does not include flex lines. OEM brake lines will not adapt to Wilwood calipers. Check the assembly instructions, or associated components section for brake line recommendations before assembly. In addition, Wilwood offers an extensive listing of brake lines and fittings on our web site: www.wilwood.com.
- Due to OEM production differences and other variations from vehicle to vehicle, the fastener hardware and other components in this kit may not be suitable for a specific application or vehicle.
- It is the responsibility of the purchaser and installer of this kit to verify suitability / fitment of all components and ensure all fasteners and hardware achieve complete and proper engagement. Improper or inadequate engagement can lead to component failure.

Photographic Tip

Important and highly recommended: Take photos of brake system before disassembly and during the disassembly process. In the event, trouble-shooting photos can be life savers. Many vehicles have undocumented variations, photos will make it much simpler for Wilwood to assist you if you have a problem.

Exploded Assembly Diagram

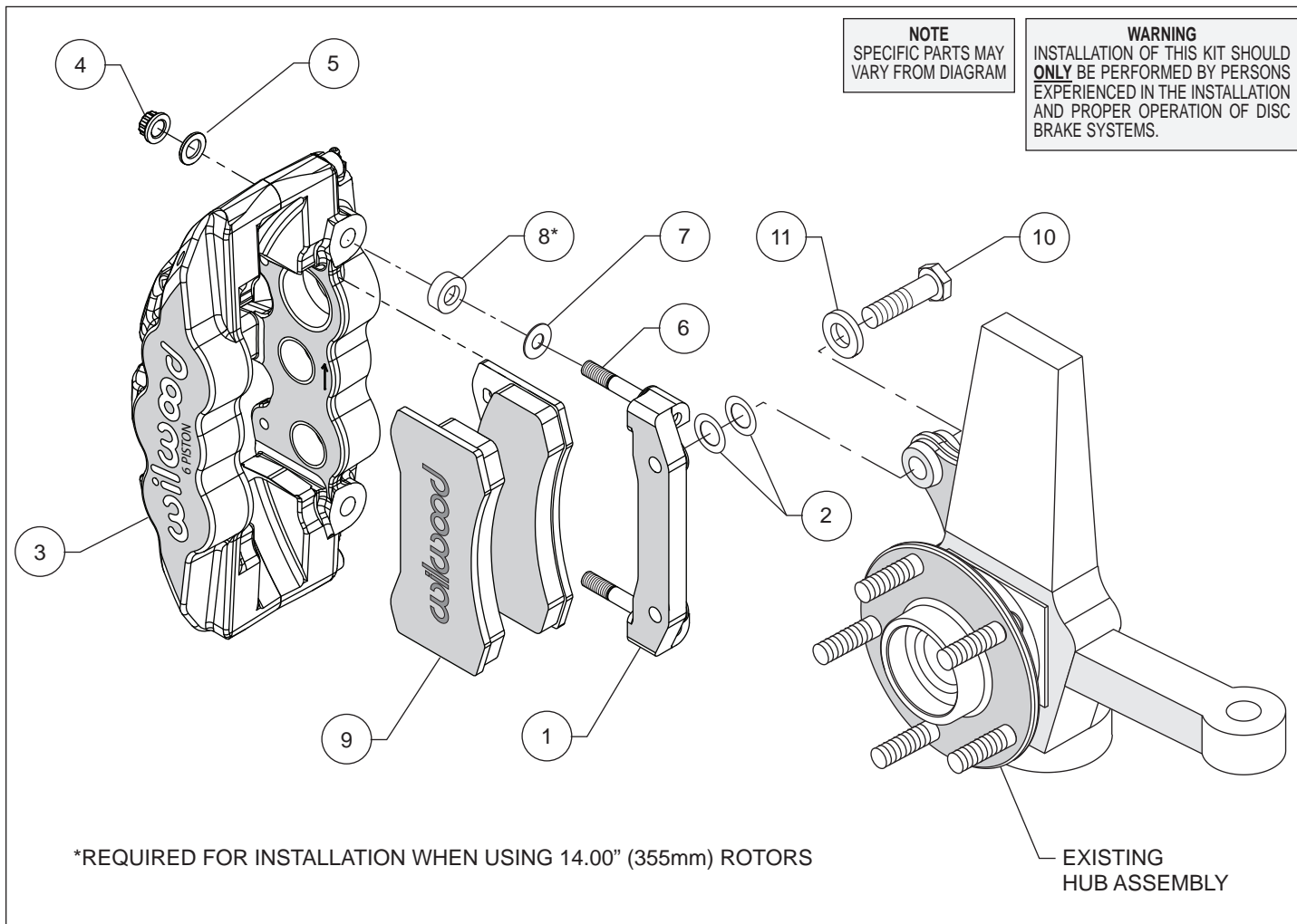


Figure 1. Typical Installation Configuration

Parts List

ITEM NO.	PART NO.	DESCRIPTION	QTY
1	250-11721	Bracket, Caliper Mounting	2
2	240-8969	Shim, .029 Thick	12
3	120-13289/90-BK	Caliper, Aerolite 6R (one each, right and left)	2
3A	120-13289/90-N	Caliper, Aerolite 6R, Nickel	2
3B	120-13289/90-RD	Caliper, Aerolite 6R Red	2
4	230-9182	Nut, 7/16-20, Self-Locking, 12 Point	4
5	240-11101	Washer, .453 I.D. x .750 O.D. x .063 Thick	4
6	230-9080	Stud, 7/16-14 x 7/16-20 x 3.375 long (pre installed in bracket)	4
7	240-3902	Shim, .016 Thick	16
8	300-10827	Spacer, .300 Long	4
9	150-9489K	Pad, BP-20 Compound, Axle Set	1
10	230-15145	Bolt, M14-2.00 x 45mm Long, Hex Head, Stepped-Shank	4
11	240-11855	Washer, .578 I.D. x 1.062 O.D. x .063 Thick	4

NOTES: Part Number 250-11720 Caliper Mounting Bracket Kit, includes part numbers 250-11721, 230-9080, 230-9182, 240-3902, 240-11101, and 300-10827 [used with 14.00" [355,0 mm] rotors]

Part Number 230-13910 Bracket/Spindle Bolt Kit, includes part numbers 230-15145, 240-8969 and 240-11855

Wilwood offers an optional Braided Stainless Steel Hose Kit. Order part number 220-8176 (C5) or 220-9100 (C6) (not included in kit)

Item 3A is an optional item available in the "-N" nickel caliper kit. Add "-N" to end of part number when ordering.

Item 3B is an optional item available in the "-R" red caliper kit. Add "-R" to end of part number when ordering.

General Information and Disassembly and Instructions

• Installation of this kit should **ONLY** be performed by individuals experienced in the installation and proper operation of disc brake systems. Prior to any attempt to install this kit, please check the following to ensure a trouble free installation.

• Inspect the contents of this kit against the parts list to ensure that all components and hardware are included.

• Make sure this is the correct kit to fit the exact make and model year of your vehicle, spindles, and wheels. This kit is designed for direct bolt-on installation to mount a Aerolite 6R caliper to all 1997-2013 C5/C6 Corvette Original Equipment (OE) production front spindles using an OE style one-piece front rotor from one of the following production models:

- 2005-2009 Z51 J55 Code 13.38" (340mm) diameter x 1.26" thick rotor.
- 2006-2013 Z06 and Grand-Sport J56 Code 13.98" (355mm) diameter x 1.26" thick rotor.

• **NOTE:** This kit does not fit all Corvette wheels. This kit has been verified to fit inside 18" C6 Grand-Sport and Z06 front wheels, but interference may occur with other production and aftermarket wheel styles. Wheel clearance must be verified using Figure 2.

• Verify your wheel clearance using Figure 2.

Disassembly

• Disassemble the original equipment front brakes:

Raise the front wheels off the ground and support the front suspension according to the vehicle manufacturer's instructions.

Remove the front wheels and calipers.

• Remove any nicks or burrs on the upright that may interfere with the installation of the new brake components.

• Clean and de-grease the caliper mounting bosses.

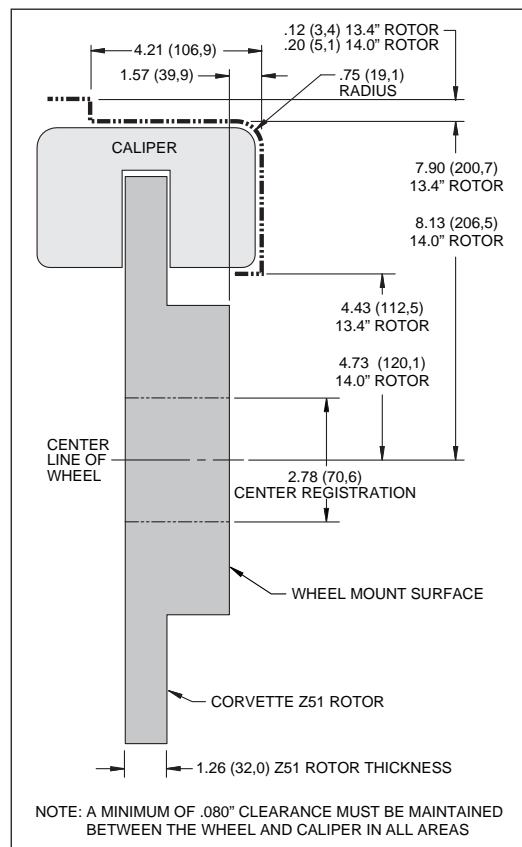


Figure 2. Wheel Clearance Diagram

Assembly Instructions

Assembly Instructions (numbers in parenthesis refer to the parts list and Figure 1 on the preceding page):

- Install three lug nuts (finger tight) to keep the OE rotor in place while continuing with the installation.
- The caliper mount bracket (1) should initially be installed with clean, dry threads on the mounting bolts. Orient the bracket as shown in Figure 1, and install using bolts (10) and washers (11). Initially place two .029" thick shims (2) on each bolt between the bracket and upright, Figure 1. Temporarily tighten the mounting bolts. **NOTE:** *The bracket must fit squarely against the mount bosses on the upright.* Inspect for interference from casting irregularities, machining ridges, burrs, etc. Later, after the caliper alignment has been checked, the mount bolts will be secured using red *Loctite*® 271.
- **NOTE:** *This kit contains distinct right and left hand calipers that must be mounted in a specific direction, as described below.* Lubricate the caliper mounting studs (6) with lightweight oil. For 13.38" diameter rotors, initially place one .016" thick shim (7) on each stud as shown in Figure 1 and Photo 1. For 13.98" rotors, place one .300" spacer (8) on each stud prior to installing the .016" thick shim (7). Mount the caliper (3) onto the bracket (1) using lock nuts (4) and washers (5), Figure 1. Ensure that the caliper is mounted so that the largest pistons are at the rotor exit end of the caliper, in relation to the direction of rotor rotation. Temporarily tighten the lock nuts and view the rotor through the top opening of the caliper. The rotor should be centered in the caliper, Photo 2. If not, adjust by adding or subtracting shims (2) between the bracket and the upright. Always use the same amount of shims on each of the two mounting bolts. Once the caliper alignment is correct, remove the bracket mounting bolts one at a time, apply red *Loctite*® 271 to the threads, and torque to 65 ft-lb.
- Remove the two pad retaining pins from the caliper (3) by carefully popping out the pin retaining clips and sliding out the pins. Insert the brake pads (9) into the caliper from the bottom, Figure 1 and Photo 3. With the friction material facing the rotor, secure the brake pads in place with the pad retaining pins and clips, Photo 4. Reinstall the caliper onto the caliper mounting bracket and temporarily tighten the lock nuts. Check that the top of the brake pad is flush with the outside diameter of the rotor, Photo 5. If not, adjust by adding or subtracting shims (7) between the caliper and the bracket. After the caliper pad height is set, torque the caliper lock nuts (7) to 47 ft-lb.
- Remove the lug nuts that were holding the rotor in place. Temporarily install the wheel and torque the lug nuts to the manufacturer's specification. Ensure that the wheel rotates freely without any interference.

Installing the New Flexlines

- **NOTE:** *OEM rubber brake hoses from OE calipers cannot be used with the Aerolite calipers. The Wilwood caliper inlet fitting is a 1/8-27 NPT.* The preferred method is to use steel adapter fittings at the caliper and chassis, either straight, 45 or 90 degree and enough steel braided line to allow for full suspension travel and turning radius, lock to lock. Wilwood offers a brake flex line hose kit to fit this application, order part number 220-8176 for all 1997-2004 production C-5 vehicles, or part number 220-9100 for all 2005-2013 C-6 models. Hose kits include DOT approved jacketed stainless steel braid reinforced hoses, fittings,



Photo 1

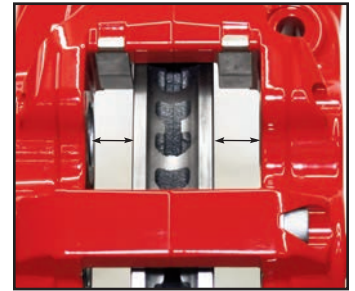


Photo 2



Photo 3



Photo 4

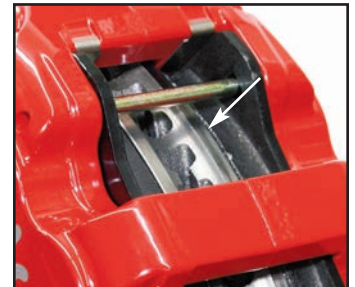


Photo 5

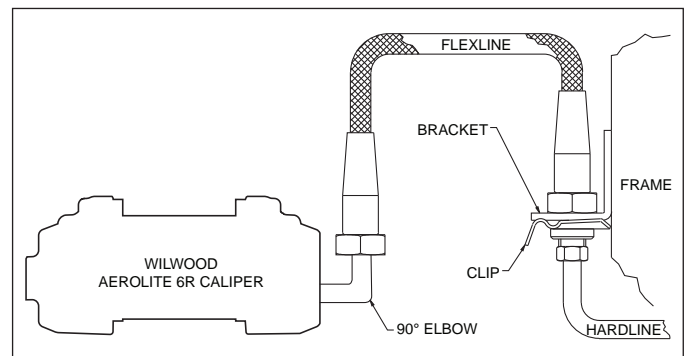


Figure 4. Brake Line Diagram

Assembly Instructions (Continued)

etc., all in one package for this application. For other custom vehicles using adapted Corvette suspension, it will be necessary for the installer to determine the required flexline length and fitting type to order the appropriate kit. **Carefully route hoses to prevent contact with moving suspension, brake or wheel components.** **NOTE:** *Wilwood hose kits are designed for use in many different vehicle applications and it is the installer's responsibility to properly route and ensure adequate clearance and retention for brake hose components.*

- NOTE:** *Specified brake hose kits may not work with all Years, Makes and Models of vehicle that this brake kit is applicable to, due to possible OEM manufacturing changes during a production vehicle's life.* It is the installer's responsibility to ensure that all fittings and hoses are the correct size and length, to ensure proper sealing and that they will not be subject to crimping, strain and abrasion from vibration or interference with suspension components, brake rotor or wheel.
- In absence of specific instructions for brake line routing, the installer must use his best professional judgment on correct routing and retention of lines to ensure safe operation. Test vehicle brake system per the 'minimum test' procedure stated within this document before driving. After road testing, inspect for leaks and interference. Initially after install and testing, perform frequent checks of the vehicle brake system and lines before driving, to confirm that there is no undue wear or interference not apparent from the initial test. Afterwards, perform periodic inspections for function, leaks and wear in a interval relative to the usage of vehicle.
- Bleed the brake system, referring to the additional information and recommendations below, or the vehicle manufacturer's factory service manual for proper bleeding instructions. Check system for leaks after bleeding.
- Install the wheel and torque the lug nuts to manufacturer's specifications.

Additional Information and Recommendations

Corvette Master Cylinders and ABS Systems

- The Aerolite 6R caliper piston volume is matched to the output capacity of the OE Corvette hydraulic system and is fully compatible with the factory ABS system. It is not necessary to change the master cylinder size when installing this kit on a production based Corvette.

Fluid and Bleeding

- Fill and bleed the new system with Wilwood Hi-Temp^o 570 grade fluid or higher. For sustained high heat operation, use Wilwood EXP 600 Plus Racing Brake Fluid. Flush all used fluid from the system to prevent contamination. **NOTE:** *Silicone DOT 5 brake fluid is **NOT** recommended for racing or performance driving.* Silicone DOT 5 fluid should also never be mixed with any other fluid types.
- To properly bleed the brake system, begin with the caliper farthest from the master cylinder. Bleed the outboard bleed screw first, then the inboard. Repeat the procedure until all calipers in the system are bled, ending with the caliper closest to the master cylinder. **NOTE:** *When using a new master cylinder, it is important to bench bleed the master cylinder first.*
- Test the brake pedal. It should be firm, not spongy and stop at least 1 inch from the floor under heavy load.
 - If the brake pedal is spongy, bleed the system again.
 - If the brake pedal is initially firm, but then sinks to the floor, check the system for fluid leaks. Correct the leaks (if applicable) and then bleed the system again.
 - If the brake pedal goes to the floor and continued bleeding of the system does not correct the problem:
 - A. For custom vehicles with adapted Corvette suspension that are not equipped with OE Corvette hydraulics, a higher capacity, larger bore master cylinder may be necessary. Wilwood offers several styles of lightweight mater cylinders in a variety of bore sizes and output capacity for custom applications.
 - B. For production based Corvettes using all OE systems, a GM Tech system bleed may be necessary to remove trapped air from the system.
- NOTE:** *With the installation of after market disc brakes, the wheel track may change depending on the application.* Check your wheel offset before final assembly.

- If after following the instructions, you still have difficulty in assembling or bleeding your Wilwood disc brakes, consult your local chassis builder, or retailer where the kit was purchased for further assistance.

Brake Testing

WARNING • DO NOT DRIVE ON UNTESTED BRAKES BRAKES MUST BE TESTED AFTER INSTALLATION OR MAINTENANCE MINIMUM TEST PROCEDURE

- Make sure pedal is firm: Hold firm pressure on pedal for several minutes, it should remain in position without sinking. If pedal sinks toward floor, check system for fluid leaks. DO NOT drive vehicle if pedal does not stay firm or can be pushed to the floor with normal pressure.
- At very low speed (2-5 mph) apply brakes hard several times while turning steering from full left to full right, repeat several times. Remove the wheels and check that components are not touching, rubbing, or leaking.
- Carefully examine all brake components, brake lines, and fittings for leaks and interference.
- Make sure there is no interference with wheels or suspension components.
- Drive vehicle at low speed (15-20 mph) making moderate and hard stops. Brakes should feel normal and positive. Again check for leaks and interference.
- Always test vehicle in a safe place where there is no danger to (or from) other people or vehicles.
- Always wear seat belts and make use of all safety equipment.

Pad and Rotor Bedding

BEDDING STEPS FOR NEW PADS AND ROTORS – ALL COMPOUNDS

Once the brake system has been tested and determined safe to operate the vehicle, follow these steps for the bedding of all new pad materials and rotors. These procedures should only be performed on a race track, or other safe location where you can safely and legally obtain speeds up to 65 MPH, while also being able to rapidly decelerate.

- Begin with a series of light decelerations to gradually build some heat in the brakes. Use an on-and-off the pedal technique by applying the brakes for 3-5 seconds, and then allow them to fully release for a period roughly twice as long as the deceleration cycle. If you use a 5 count during the deceleration interval, use a 10 count during the release to allow the heat to sink into the pads and rotors.
- After several cycles of light stops to begin warming the brakes, proceed with a series of medium to firm deceleration stops to continue raising the temperature level in the brakes.
- Finish the bedding cycle with a series of 8-10 hard decelerations from 55-65 MPH down to 25 MPH while allowing a proportionate release and heat-sinking interval between each stop. The pads should now be providing positive and consistent response.
- If any amount of brake fade is observed during the bed-in cycle, immediately begin the cool down cycle.
- Drive at a moderate cruising speed, with the least amount of brake contact possible, until most of the heat has dissipated from the brakes. Avoid sitting stopped with the brake pedal depressed to hold the car in place during this time. Park the vehicle and allow the brakes to cool to ambient air temperature.

COMPETITION VEHICLES

- If your race car is equipped with brake cooling ducts, blocking them will allow the pads and rotors to warm up quicker and speed up the bedding process.
- Temperature indicating paint on the rotor and pad edges can provide valuable data regarding observed temperatures during the bedding process and subsequent on-track sessions. This information can be highly beneficial when evaluating pad compounds and cooling efficiencies.

Pad and Rotor Bedding (Continued)

POST-BEDDING INSPECTION – ALL VEHICLES

- After the bedding cycle, the rotors should exhibit a uniformly burnished finish across the entire contact face. Any surface irregularities that appear as smearing or splotching on the rotor faces can be an indication that the brakes were brought up to temperature too quickly during the bedding cycle. If the smear doesn't blend away after the next run-in cycle, or if chatter under braking results, sanding or resurfacing the rotors will be required to restore a uniform surface for pad contact.

PRE-RACE WARM UP

- Always make every effort to get heat into the brakes prior to each event. Use an on-and-off the pedal practice to warm the brakes during the trip to the staging zone, during parade laps before the flag drops, and every other opportunity in an effort to build heat in the pads and rotors. This will help to ensure best consistency, performance, and durability from your brakes.

DYNO BEDDED COMPETITION PADS AND ROTORS

- Getting track time for a proper pad and rotor bedding session can be difficult. Wilwood offers factory dyno-bedded pads and rotors on many of our popular competition pads and **Spec 37** GT series rotors. Dyno-bedded parts are ready to race on their first warm up cycle. This can save valuable time and effort when on-track time is either too valuable or not available at all, Dyno-bedding assures that your pads and rotors have been properly run-in and are ready to go. Contact your dealer or the factory for more information on Wilwood Dyno-Bedding services.

NOTE:

NEVER allow the contact surfaces of the pads or rotors to be contaminated with brake fluid. Always use a catch bottle with a hose to prevent fluid spill during all brake bleeding procedures.

Connect with Wilwood

Wilwood Facebook



Wilwood Twitter



Wilwood YouTube



Associated Components

<u>PART NO.</u>	<u>DESCRIPTION</u>
220-8176	Flexline Kit, 1997-2004 Chevrolet Corvette, C-5, All Models
220-9100	Flexline Kit, 2005-2013 Chevrolet Corvette, C-6, All Models
260-0632	Wilwood Hi-Temp° 570 DOT 3 Brake Fluid, 12,0 Ounces
260-6209	Wilwood EXP 600 Plus Racing Brake Fluid, 16.9 Ounces
150-12251K	BP-40 Compound Smart Pad, Race Only, Axle Set
180-9874	Pad Retainer Pins with C-Clips, 2 each
310-3634	Pad Pin C-Clip, each
300-5876	Caliper Bridge Wear Clip, each
220-6069	Caliper Bleed Screw Set, 4 pack
130-5972	Caliper O-Ring Kit