



# HOLLEY SUPERCHARGER ADAPTER KIT

## P/N 90748

### 1987 AND LATER SMALL BLOCK CHEVY V-8

## INSTALLATION INSTRUCTIONS

Starting in 1987, Chevrolet changed the angle of the four center bolts that hold the intake manifold to the cylinder head on most small block V-8s. As a result, Holley and other intake manifolds that are designed to fit all previous small block V-8s will not bolt to these new heads. This kit includes four angled spacers that will adapt Holley intake manifolds to these new cylinder heads. Recent-production Holley intake manifolds are slotted to allow the use of these spacers with no rework. Earlier manifolds will require some filing, cutting, or machining to fit.

The recent-production Holley small block Chevrolet intake manifolds have four .406" x .716" (13/32" x 23/32") slotted manifold to cylinder head bolt holes in the intake manifold, on either side of the exhaust crossover ports. If you have this manifold, the spacers are installed as shown in Figure 1. The pins in the spacers locate the spacers in the slotted holes. Use the four bolts supplied with the kit in these four locations. The other eight manifold hold down bolts are standard.

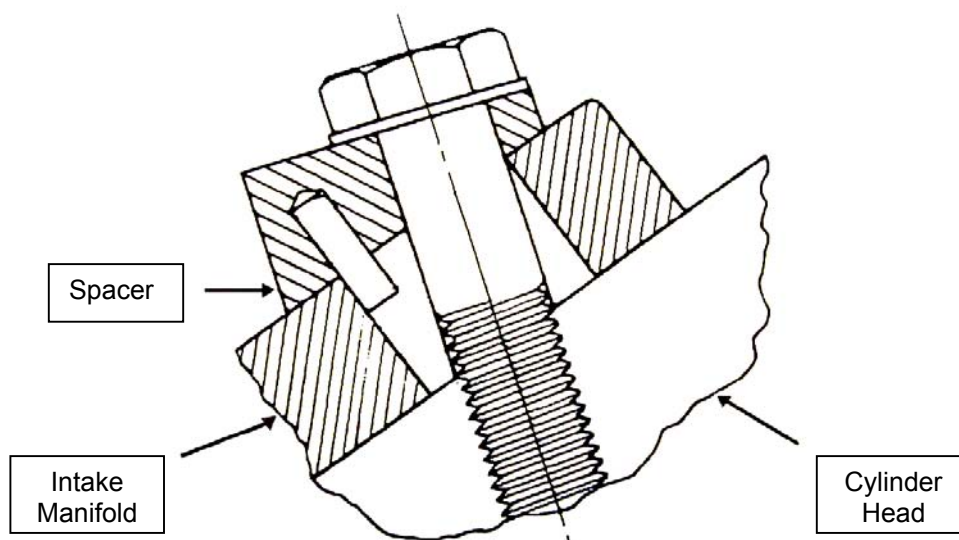


Figure 1

If you have an earlier Holley small block Chevrolet intake manifold, you will have to add these slots to the manifold for the four bolt holes on either side of the exhaust crossover ports as shown in Figure 2. The .406" (13/32") diameter hole must be slotted out to the outside on the casting, since these earlier castings did not have enough metal in this area to make a closed slot. Only the four center holes, two on each side, on either side of the exhaust crossover port, need to be slotted. The other eight holes are not modified. The angled spacers are installed as shown in Figure 1 using the supplied longer bolts. Even though the slots are open on the end, the bolts will properly secure the intake manifold to the head.

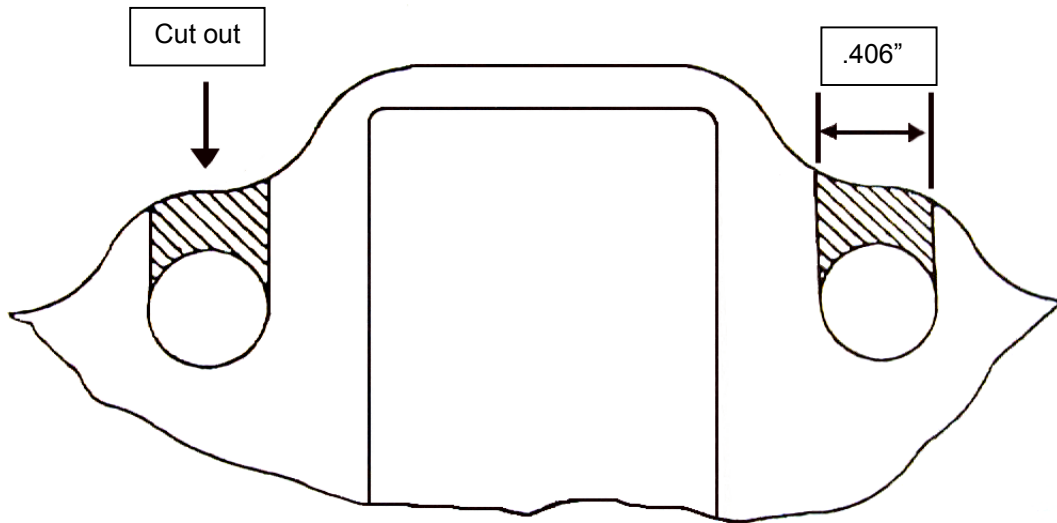


Figure 2