



A Holley Performance Brand

**P/N 7222 Single Quad Enderle Style Scoop
P/N 7223 Dual Quad Enderle Style Scoop**

**AIR SCOOP & LINKAGE
INSTALLATION INSTRUCTIONS**

1. Remove the existing air cleaner parts from the carburetor(s).
2. Install the stud(s) and hex nut(s) to the carburetor(s). Cut the studs if necessary to clear the scoop.
3. Place the scoop flange(s) on the carburetor(s). Place the support bracket(s) on the scoop flange(s). Assemble the washer(s) and nylock nut(s) to the stud(s). Place the filter element(s) and the filter cap(s) on the flange(s). Assemble the washer(s) and nylock nut(s) to the stud(s).
4. Slide the butterfly assembly (with the splined shaft that sticks out) into the hole on the side of the scoop. The butterfly assembly will rest against the four mounting bosses.
5. Install the four 1/4"-20 x 1/2" wiz lock machine screws into the butterfly assembly.
6. Place the scoop on top of the flange(s). Install the 1/4"-20 x 1/2" wiz lock machine screws. (4-P/N 7222 or 8-P/N 7223).
7. Place the serrated linkage arm on the splined butterfly shaft. P/N 7222 arm should be located approximately at the 5 o'clock position. P/N 7223 arm should be located approximately at the 1 o'clock position.
8. Assemble the rod ends with jam nuts to the hex shaft. P/N 7223 side mount carburetor applications use the 6 1/2" hex shaft. In line applications use the 14 1/2" hex shaft.
9. Bolt the hex shaft to the throttle linkage arm with the brass spacer between the linkage arm and the rod end. Use the 10-24 x 1" stainless steel socket head cap screw and nylon lock nut.
10. Install the other end of the hex shaft to your carburetor arm with the brass step washer, brass spacer, and the 10-24 x 1 1/4" stainless steel cap screw and nylon lock nut.
11. For side-mounted carburetors using P/N 7223 and Weiland linkage kit P/N 7166 or equivalent, you need to install the splined linkage arm on the front of your splined shaft. Install the other end of the hex shaft to your splined throttle arm using the 10-24 x 1" stainless steel cap screw and nylon lock nut and brass spacer.
12. For inline carburetors using P/N 7223 and Weiland linkage kit P/N 7167 or equivalent, you need to install the other end of the hex shaft to the rear carburetor arm using the brass step washers and the 10-24 x 1 3/4" stainless steel cap screws and nylon lock nut.
Note: If your linkage does not use a carburetor connecting rod, you will need to attach the hex shaft with the 10-24 x 1 1/4" cap screw.

NOTE: Check hood modifications with local authorities before operating the vehicle for street use.

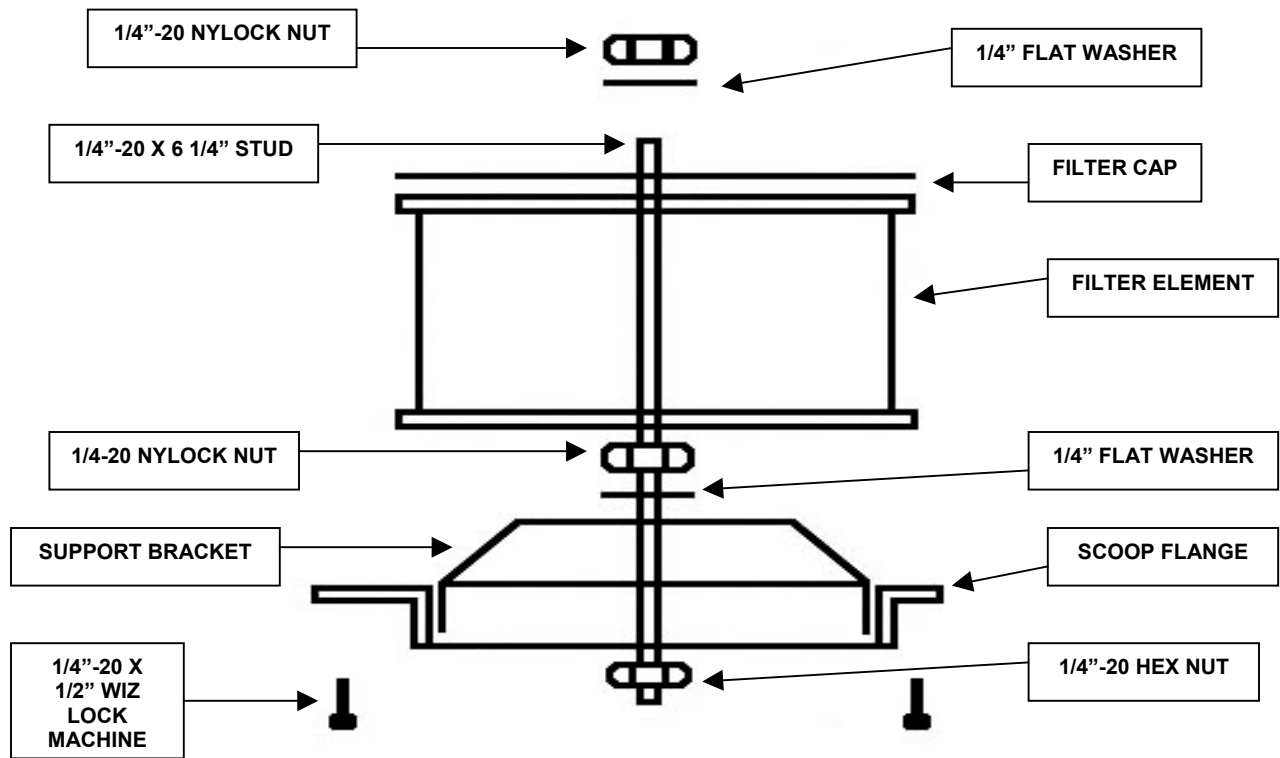
NOTE: Check the hood clearance before closing.

WARNING! NOT LEGAL FOR STREET USE ON POLLUTION CONTROLLED VEHICLES.

CAUTION: DO NOT OVERTIGHTEN NUTS OR BOLTS.

**Holley Performance Products
P.O. Box 10360
Bowling Green, KY 42102-7360**

Tech Service: 1-270-781-9741



Mounting Flange & Air Filter Illustration

W547

Date: 1-19-00

Holley
Performance Products