

2022+ Hyundai Elantra N, N-Line Mud Flap Installation Instructions

View instructions and photos online www.rallyarmor.com

CARE AFTER INSTALLATION Once installed, vehicle owner is responsible for condition of mud flaps and all costs associated with replacing damaged or lost parts. Warranty covers manufacturer defect on new, never installed parts.

⚠ Watch for blind spots when parking ⚠ Avoid contact with curbs and objects that compress flaps with excessive force. Check wheel clearances, especially on vehicles equipped with aftermarket wheels and suspensions.

QUESTION ON INSTALLATION? CONTACT www.rallyarmor.com/support

NEED TO PURCHASE REPLACEMENT PARTS? SEND RECEIPT OR PHOTO OF MUD FLAPS TO www.rallyarmor.com/support

IMPORTANT NOTES

INSTALLATION KIT CONTENTS



ALWAYS TEST COMPATIBILITY WITH YOUR SPECIFIC WHEEL, TIRE AND SUSPENSION COMBINATION



ALWAYS USE CAUTION DURING PARKING/REVERSAL SCENARIOS



CLEANING INSTRUCTIONS: USE WATER AND SOFT CLOTH TO CLEAN FLAPS. AVOID SOLVENT BASED CLEANERS



ALWAYS ALIGN YOUR MUD FLAP PERPENDICULAR TO GROUND PRIOR TO TIGHTENING

QUANTITY	PART	ITEM ID
10	SCREW	1SS
2	SPACER	1.5SP
2	LONG SCREW	2.5SS
2	INSERT	INS5
14	WASHER	SMWASH
2	LOCK NUT	SSLNUT
2	MOUNTING BRACKET FRONT	BMF63
1	MOUNTING BRACKET LEFT REAR	BMF57-LR
1	MOUNTING BRACKET RIGHT REAR	BMF57-RR

SSLNUT
LOCK NUT



1SS
SCREW



2.5SS
LONG SCREW



SMWASH
WASHER



INS5
INSERT



1.5SP
SPACER



BMF57-LR/ BMF57-RR
REAR BRACKETS



BMF63
FRONT BRACKETS



Recommended Tools offset or ratcheting screw driver and 7/16th wrench

Important Tips Installation should be done on an even surface. Do not use power tools to tighten hardware. Hand tools only. Avoid overtightening.

RALLY ARMOR - A BIT ABOUT OUR STANDARD IN MUD FLAPS

Rally Armor mud flaps are fabricated from a high grade polyurethane plastic that is rigorously reviewed for quality and consistency. As with all manufacturing processes, controlled conditions and multiple QC checkpoints minimize major irregularities, however certain very minor surface layer marks appear periodically. These are visual variations that do not affect construction nor do they impede the performance of the flaps. Most matte away as the material ages naturally with continued exposure to the outdoors. Each flap is unique in appearance yet all are structurally sound.

2022+ Hyundai Elantra N, N-Line Mud Flap Installation Instructions

FRONT MUD FLAP

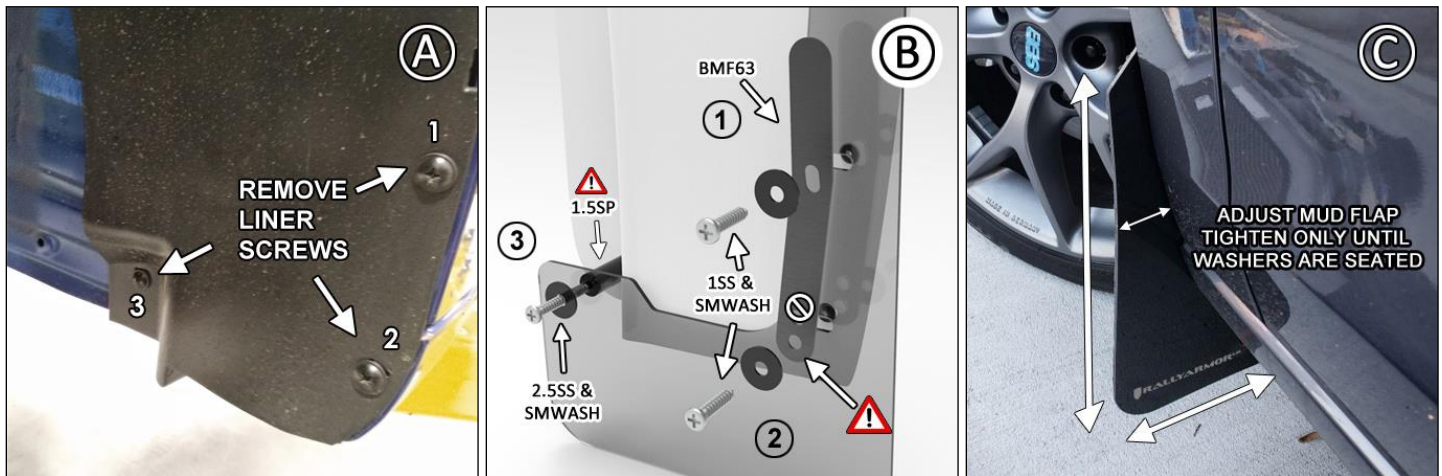
1 Front Flap Bracket & Hardware → 1 x BMF63; 2 x 1SS; 1 x 1.5SP; 1 x 2.5SS; 3 x SMWASH

To access inner wheel well area, turn steering wheel towards installation side.

FIGURE A Remove wheel liner screws 1-3.

FIGURE B Position mud flap, logo facing vehicle rear, onto BMF63 mounting points and fender. Note, just 2 of the 3 bracket mounting holes will be used for the installation. **Tightening only until washers are seated**, install 1SS and SMWASH on BMF63 points 1 and 2. On point 3 rear, place 1.5SP behind mud flap then fasten point 3 front using 2.5SS and SMWASH.

FIGURE C Align flaps to even ground before tightening all screws.



REAR MUD FLAP

1 Rear Flap Bracket & Hardware → 1 x BMF57-LR/RR; 3 x 1SS; 1 X INS5; 4 x SMWASH; 1 x SSLNUT

Though not required, tire removal eases installation. Option 2, jack rear of vehicle to better access wheel well area.

FIGURES D/E Remove wheel liner screws 1-3 and lower liner fastener.

FIGURE F/G Using INS5, install BMF57-LR/RR bracket with stud facing forward.

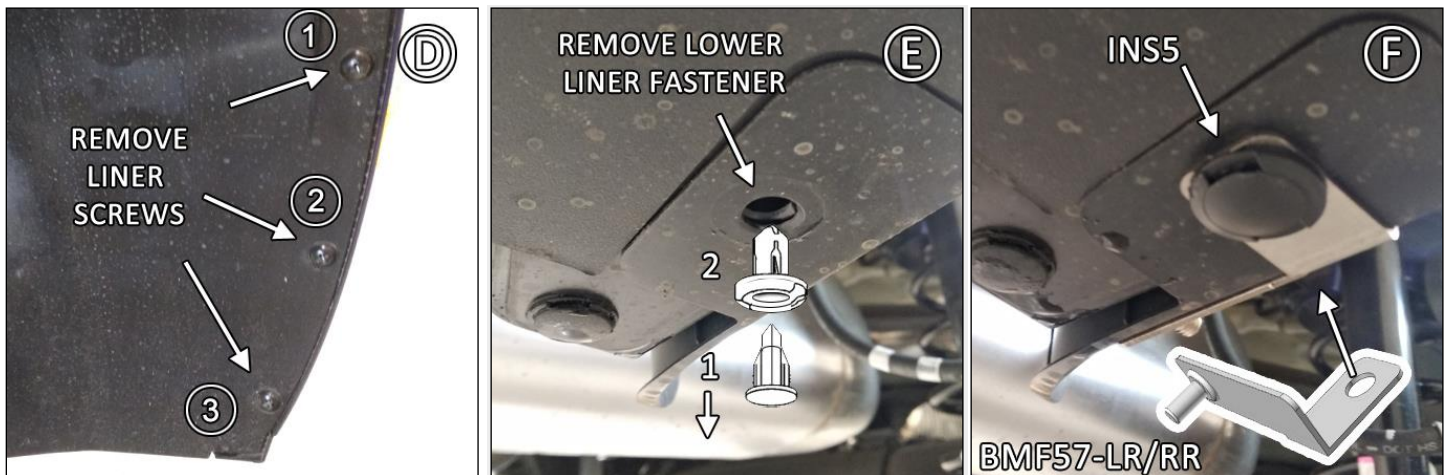


FIGURE H Install 1SS and SMWASH into mounting points 1-3. Fasten SSLNUT and SMWASH into point 4, tightening just until mud flap is level with bumper. Do not overtighten.

FIGURE I Align flap outer edge until perpendicular to even ground. Hand tighten until washers are seated.

IMF79



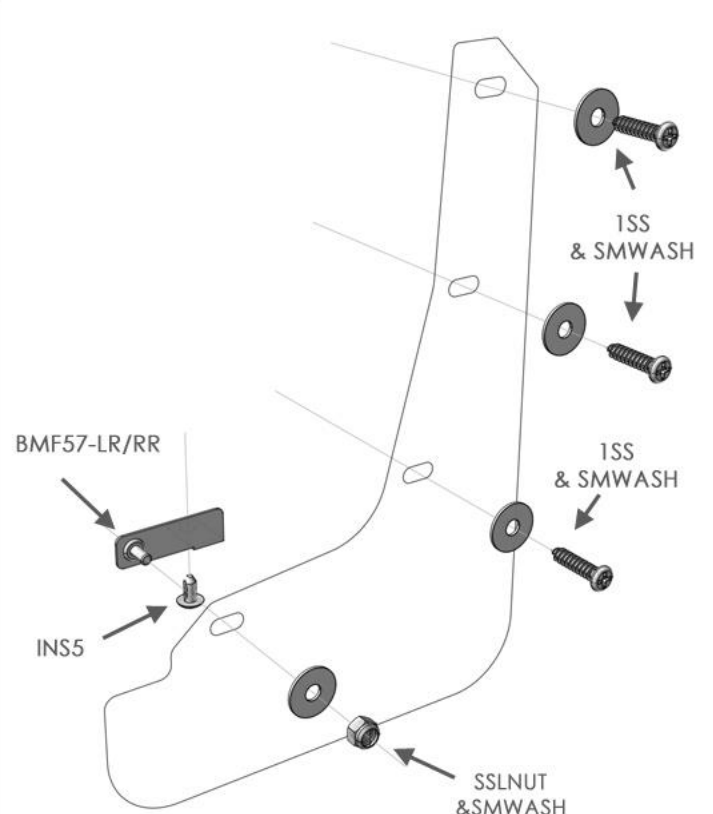
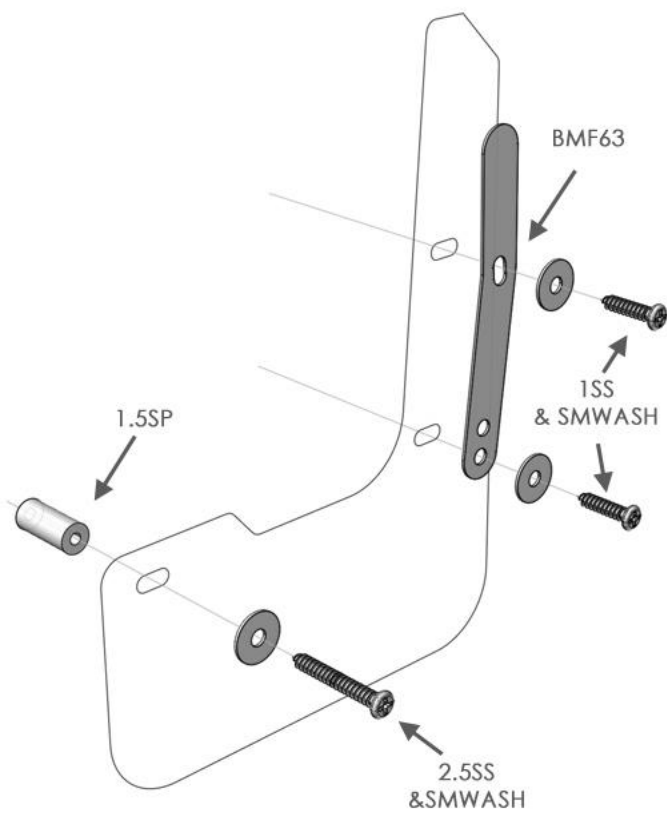
2022+ Hyundai Elantra N, N-Line Mud Flap Installation Instructions



FRONT



REAR



Content and images are copyright of Rally Armor® LLC