

2022+ Subaru Outback Wilderness Mud Flap Installation Instructions

NOT FOR 2020+ SUBARU OUTBACK

View instructions and photos online www.rallyarmor.com

CARE AFTER INSTALLATION Once installed, vehicle owner is responsible for condition of mud flaps and all costs associated with replacing damaged or lost parts. Warranty covers manufacturer defect on new, never installed parts.

- ⚠ Watch for blind spots when parking ⚠ Avoid contact with curbs and objects that compress flaps with excessive force. Check wheel clearances, especially on vehicles equipped with aftermarket wheels and suspensions.

QUESTION ON INSTALLATION? CONTACT www.rallyarmor.com/support

NEED TO PURCHASE REPLACEMENT PARTS? SEND RECEIPT OR PHOTO OF MUD FLAPS TO www.rallyarmor.com/support

IMPORTANT NOTES



INSTALLATION KIT CONTENTS

QUANTITY	PART	ITEM ID
2	SPACER	.25SP
2	MACHINE SCREW	1MCHSS
6	THIN SCREW	1SS#8
6	LONG SCREW	1.5SS
2	REAR BRACKET	BMF43-RE
2	EXPANSION ANCHOR	EXPANCH
6	ORANGE CLIP	ORCLP
4	POLYGON CLIP	POLCLP
14	WASHER	SMWASH
4	LOCK NUT	SSLNUT
2	STICKER	ST-MF43

SSLNUT
LOCK NUT



BMF43-RE
REAR BRACKET



1.5SS
LONG SCREW



ST-MF43
STICKER



1SS#8
THIN SCREW



.25SP
SPACER



1MCHSS
MACHINE
SCREW



EXPANCH
EXPANSION
ANCHOR



SMWASH
WASHER



POLCLP
POLYGON CLIP



ORCLP
ORANGE CLIP



Recommended Tools Low-profile offset or ratcheting screw driver, 7/16th wrench, flathead screwdriver.

Important Tips Installation should be done on an even surface. Do not use power tools to tighten hardware. Hand tools only. Avoid overtightening.

RALLY ARMOR - A BIT ABOUT OUR STANDARD IN MUD FLAPS

Rally Armor mud flaps are fabricated from a high grade polyurethane plastic that is rigorously reviewed for quality and consistency. As with all manufacturing processes, controlled conditions and multiple QC checkpoints minimize major irregularities, however certain very minor surface layer marks appear periodically. These are visual variations that do not affect construction nor do they impede the performance of the flaps. Most matte away as the material ages naturally with continued exposure to the outdoors. Each flap is unique in appearance yet all are equally structurally sound.

2022+ Subaru Outback Wilderness Mud Flap Installation Instructions

FRONT MUD FLAP

Bracket & Hardware 1 x Front Flap → 1 x .25SP; 3 x 1.5SS; 1 x EXPANCH; 2 x POLCLP; 3 x SMWASH

Turn the steering wheel towards the side you are working on to gain access to the inner wheel well area.

FIGURE A Remove factory fasteners 1-4. Coax liner away from the fender.

FIGURE B Install POLYGON CLIP POLCLP over upper and lower fender mounting points.

FIGURE C Replace liner. Replace original upper liner fastener.

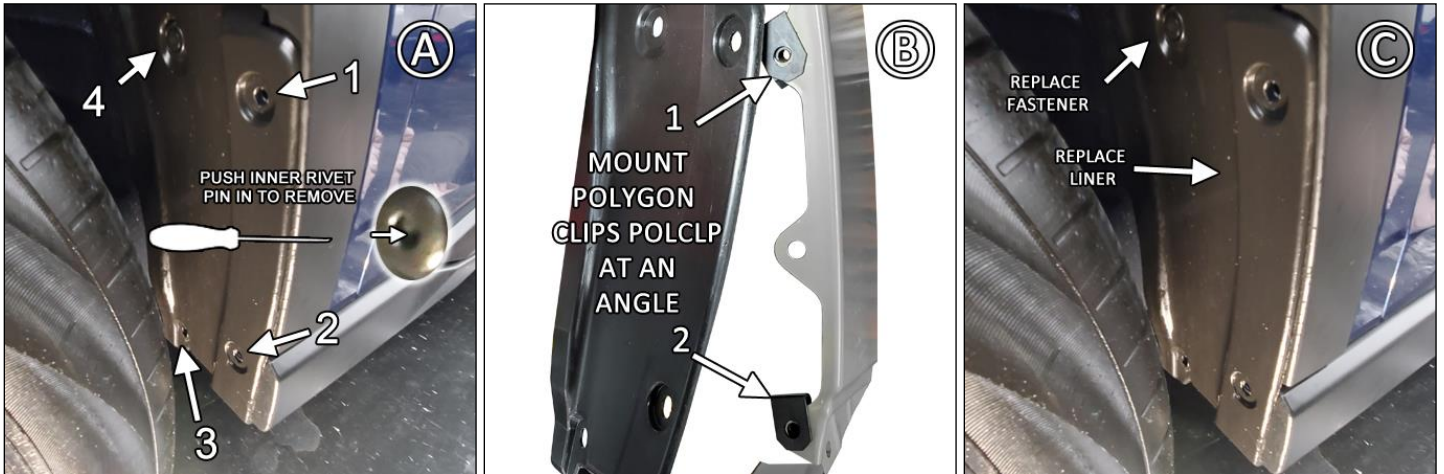
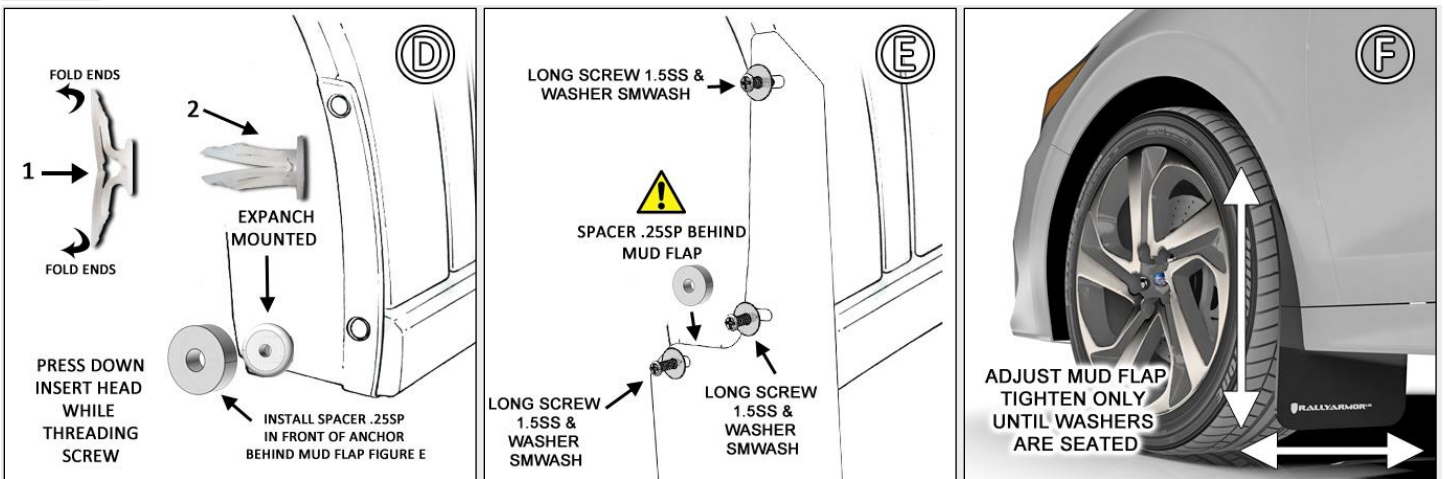


FIGURE D Noting placement of EXPANCH, SPACER.25SP installs in front of EXPANCH, behind mud flap. Fold EXPANCH ends, insert into factory mounting point.

FIGURE E Logo-side of flap faces rear of vehicle against the corresponding mounting points. Install two LONG SCREW 1.5SS with WASHER SMWASH into outer mounting points. Innermost mount utilizes LONG SCREW 1.5SS and SPACER .25SP BEHIND mud flap.

Firmly depress EXPANCH to prevent spinning. **Do not tighten completely.**

FIGURE F Ensure mud flap is parallel to even ground. Hand tighten only until washers seated against flap. **Adjust as needed.**



2022+ Subaru Outback Wilderness Mud Flap Installation Instructions

REAR MUD FLAP

Bracket & Hardware 1 x Rear Flap → 1 x BMF43-RE; 1 x 1MCHSS; 3 x 1SS#8; 3 X ORCLP; 4 x SMWASH; 2 X SSLNUT; 1 x ST-MF43

FIGURE G Clean then adhere STICKER ST-MF43 against the REAR BRACKET BMF43-RE.

FIGURE H Remove factory fasteners 1 and 2.

FIGURE I Mount BRACKET BMF43-RE to lower liner using MACHINE SCREW 1MCHSS and LOCK NUT SSLNUT, stud on bracket facing front of vehicle.

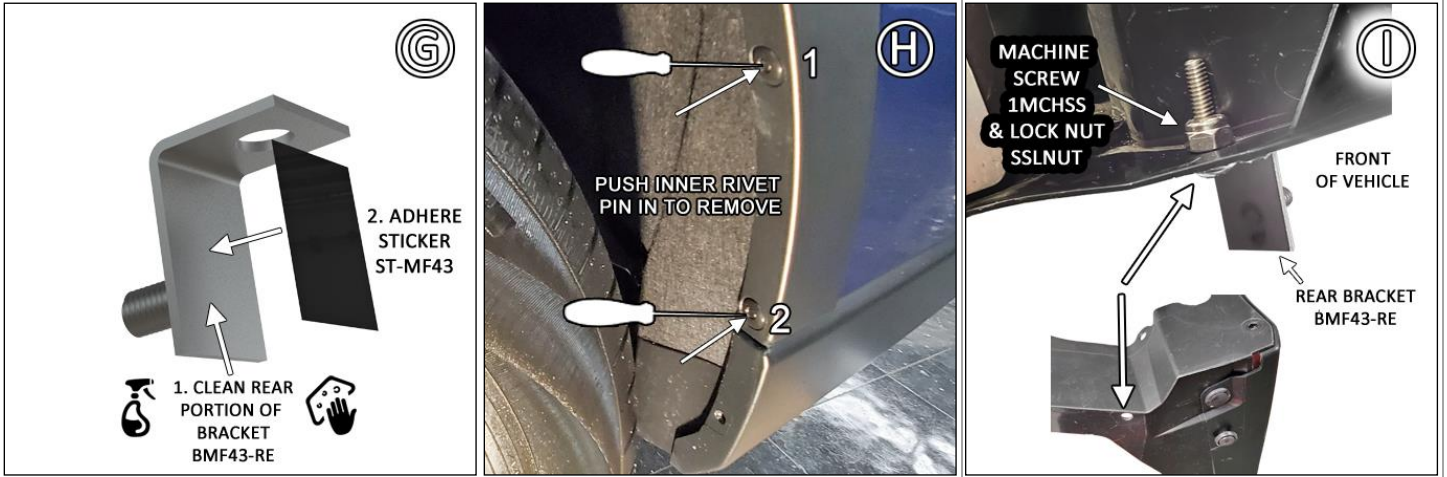
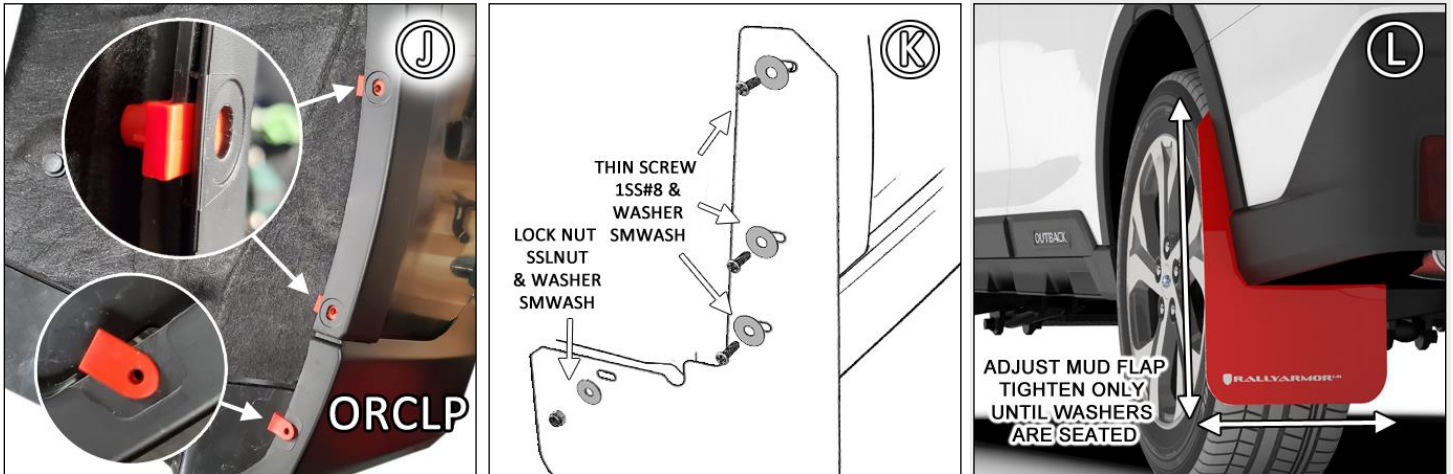


FIGURE J Install 3 ORANGE CLIP ORCLP to bumper mounting points. Upper 2 clips mount **behind** flare, lower clip mounts **over** flare.

FIGURE K Logo-side of flap faces rear of vehicle against the corresponding mounting points. Install 3 THIN SCREW 1SS#8 with WASHER SMWASH onto respective mounting points. Inner mount utilizes LOCK NUT and WASHER. **Do not tighten completely.**

FIGURE L Ensure mud flap is parallel to even ground. Hand tighten only until washers seated against flap. **Adjust as needed**



IMF76



2022+ Subaru Outback Wilderness Mud Flap Installation Instructions

FRONT REAR MF76 MOUNTING DIAGRAM

