



INSTALLATION INSTRUCTIONS

SUSPENSIONS

300 W. Pontiac Way Clovis, CA 93612 toll free: 1-800-595-7016 web: www.stsuspensions.com

50270 ADJUSTABLE FRONT ANTI-SWAYBAR 2009- Hyundai Genesis Coupe



Thank You!

You were selective enough to choose a ST Suspensions product. We have spent many hours developing our line of products so that you will receive maximum performance with minimum difficulty during installation.

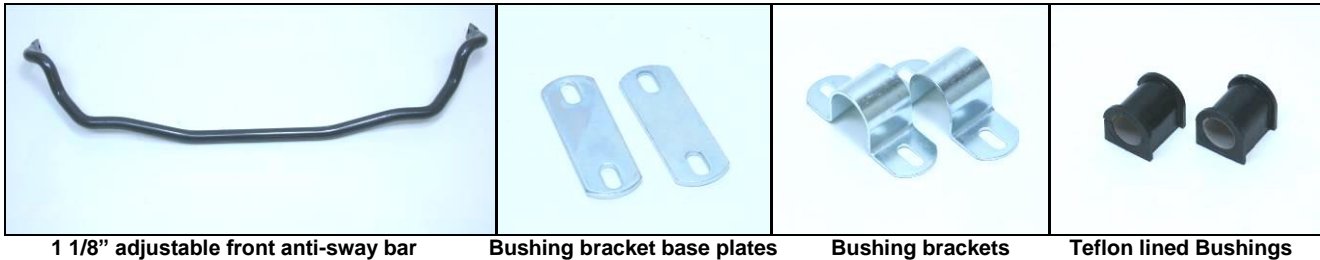
- Note: Confirm that all of the hardware listed in the parts list is in the kit. **Do not** begin installation if any part is missing. Read the instructions thoroughly before beginning this installation.
- Warning:** **DO NOT** work under a vehicle supported by only a jack. Place support stands securely under the vehicle in the manufacturer's specified locations unless otherwise instructed.
- Warning:** **DO NOT** drive vehicle until all work has been completed and checked. Torque all hardware to values specified.
- Reminder: Proper use of safety equipment and eye/face/hand protection is absolutely necessary when using these tools to perform procedures!
- Note: It is very helpful to have an assistant available during installation.
- Note: We **DO NOT RECOMMEND** using wheel ramps while performing this installation.

RECOMMENDED TOOLS

- Blocks and Wheel chocks
- Properly rated floor jacks and support stands
- Ratcheting Socket Wrench **(14)**
- Combination Wrench **(14)**
- Flat and Phillips head screwdrivers
- Safety Glasses
- Torque wrench: 0-75 lb ft. range

KIT CONTENTS

PART NO.	DESCRIPTION	QTY
50270-300	1-1/8" solid adjustable front anti-sway bar	1
113175	1-1/8" Teflon lined anti-sway bar bushing	2
114032-95	Anti-sway bar bushing bracket	2
114038-95	Bushing bracket base plate	2



KIT INSTALLATION

1. VEHICLE PREPERATION

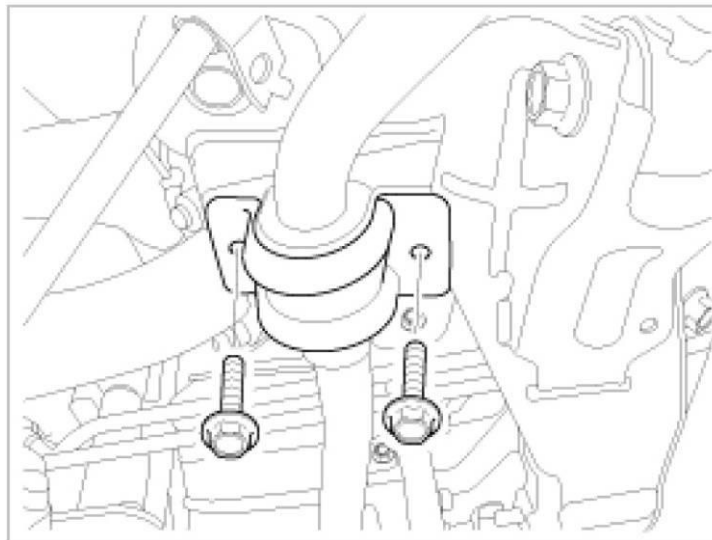
- 1a. Open the hardware kit and remove all of the contents. Refer to the part list to verify that all parts are present.
- 1b. Park the vehicle on a smooth, level concrete or seasoned asphalt surface and activate the parking brake. Block the **REAR** wheels of the vehicle with appropriate wheel chocks; making sure the vehicle's transmission is in 1st gear (manual) or "Park" (automatic).
- 1c. Using a properly rated floor jack, lift the **FRONT** wheels of the vehicle off the ground. Place the support stands, rated for the vehicle's weight, and in the factory specified locations. Refer to the vehicle Owner's Manual. Prior to lowering the vehicle onto the stands, make sure the supports will securely contact the chassis.
- 1d. It is very important that the vehicle is properly supported during this installation to prevent personal injury and chassis damage! Make sure that the supports stands are properly placed prior to performing the following procedures. We **DO NOT RECOMMEND** using wheel ramps while performing this installation.
- 1e. Slowly lower the vehicle onto the stands and, before placing the vehicle's entire weight on them, again check that they properly and securely contact the chassis as described above. Check for possible interference with any lines, wires, cables, or other easily damaged components.

2. REMOVING THE ORIGINAL EQUIPMENT ANTI-SWAY BAR

- 2a.** Remove both nuts securing the original equipment end-link from the ends of the anti-sway bar with a **17mm** wrench. Secure the end-link from spinning by using another open end **17mm** at the base of the end-link ball joint. Be careful to not damage the rubber boot. Do not remove the end-links from the bar for now.



- 2b.** Remove the original equipment bushing brackets as well using a **14mm** socket. Note the position of the anti-sway bar in the vehicle to ease in the installation of your new Suspension Techniques Adjustable Anti-Sway Bar. Carefully remove the original equipment anti-sway bar from the vehicle by sliding the end-link out of one side of the bar and pulling the bar out.



3. INSTALLING THE NEW ANTI-SWAY BAR

- 3a.** Spread and clip the ST bushings onto the ST anti-sway bar near the factory location.
- 3b.** Slide the new ST anti-sway bar above the lower control arm and into the original equipment location. Hang the bar on the vehicle with end-link and hand tighten both end-link nuts.
- 3c.** **Make sure to place the bracket base plate between the bushing bracket and the sub-frame.** Use the original equipment bushing bracket bolts and loosely secure the brackets.

- 3d. Push the bar assembly as far back as the slotted bushing brackets will allow before torquing to bolts to OE specification. Tighten the end-links nuts to OE specification. Be careful not to damage the end-link dust boot.
- 3e. Check that all components and fasteners have been properly installed, tightened and torqued.
- 3f. Check brake hoses, steering and other components for any possible interference.

4. **FINALIZING THE INSTALLATION**

- 4a. Lift vehicle and remove support stands. Carefully lower vehicle to ground and properly torque the wheel lugs.
- 4b. Test-drive the vehicle in a remote location so that you can become accustomed to the revised driving characteristics and handling. Be aware that the vehicle will handle substantially different now that it has been modified.
- 4c. Installation is complete. Check all of the hardware and re-torque at intervals for the first 10, 100, 1000 miles.

5. **SETUP INFORMATION**

The ST Adjustable Anti-Sway bar can be tuned for the desired roll resistance by connecting the anti-sway bar end-links to different attachment points on the bar. Each side of the bar has three different attachment points. Attaching the end-links to the holes furthest out on the bar tab will be the softest roll setting while attaching to the holes closer in will increase roll stiffness. Increasing the front roll stiffness will typically increase understeer. Below are the percentage increases in torsional stiffness over the stock bar for each end-link position.

