



INSTALLATION INSTRUCTIONS

PART#: SMX-15100/15150/15200

FITS: Chevrolet/GMC

•Trucks & SUVs equipped with
Air-Ride-Control



FIG. 1-1

INSTALLATION

1. Disconnect Air-Ride-Control linkage from bracket using a 10mm open end wrench. **(FIG 1.1)**
2. Bolt on relocation bracket with a 5mm allen wrench to hole **A**. Then relocate linkage arm into the bracket hole **B**.

NOTICE: Do not overtighten

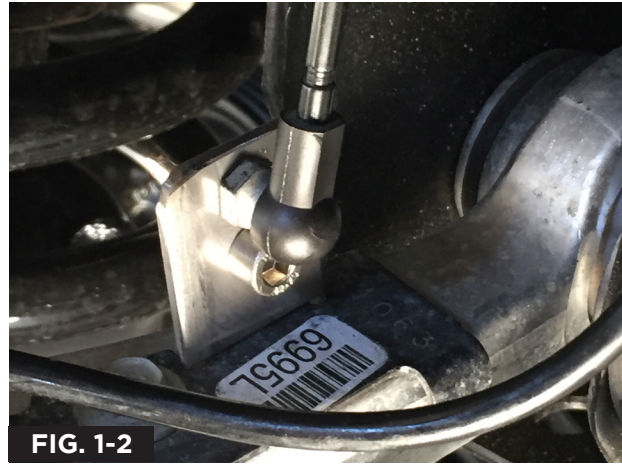
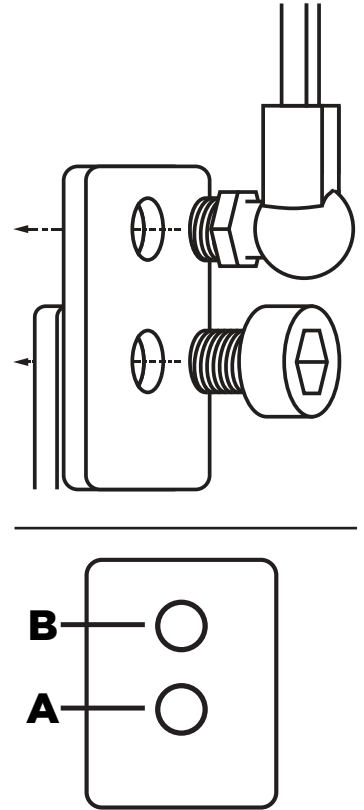


FIG. 1-2



Questions? E-mail us at tech@suspensionmaxx.com or call 1.888.629.9226



INSTALLATION INSTRUCTIONS

PART#: SMX-15100/15150/15200

FITS: Chevrolet/GMC

•Trucks & SUVs equipped with
Air-Ride-Control



FIG. 1-1

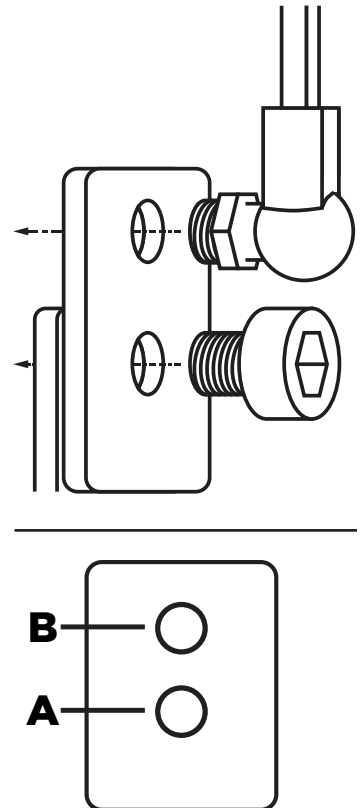
INSTALLATION

1. Disconnect Air-Ride-Control linkage from bracket using a 10mm open end wrench. **(FIG 1.1)**
2. Bolt on relocation bracket with a 5mm allen wrench to hole **A**. Then relocate linkage arm into the bracket hole **B**.

NOTICE: Do not overtighten



FIG. 1-2



Questions? E-mail us at tech@suspensionmaxx.com or call 1.888.629.9226