

10-Clutch Drum with Bearing GM Powerglide®

Part No.
28756-08

Patent Nos. 6,920,970 & 7,204,357

Sonnax 10-clutch drum with bearing **28756-08** features a piston bore that is .060" deeper for greater piston travel than was available from 10-clutch drums **28755-08** (discontinued). This discontinued drum was specifically for use with Sonnax 10-clutch piston **28765-04** (also discontinued).



Sonnax 10-clutch pistons and drums should **ONLY** be used as matched parts. Use the images below to properly identify your parts.



Thrust Bearing

10-Clutch Drum

Current 10-Clutch Parts

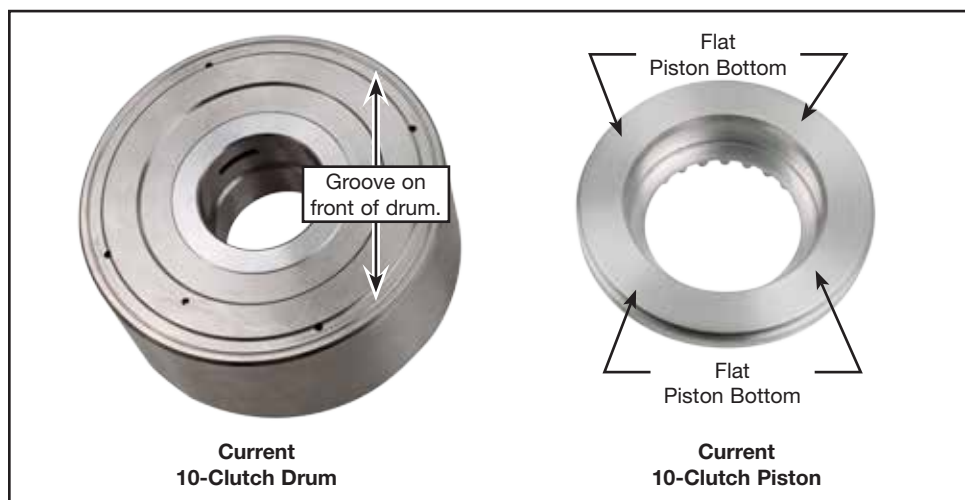
10-Clutch Piston
28765-05

10-Clutch Drums

28756-01

28756-08

With bearing



Current
10-Clutch Drum

Current
10-Clutch Piston

Discontinued 10-Clutch Parts

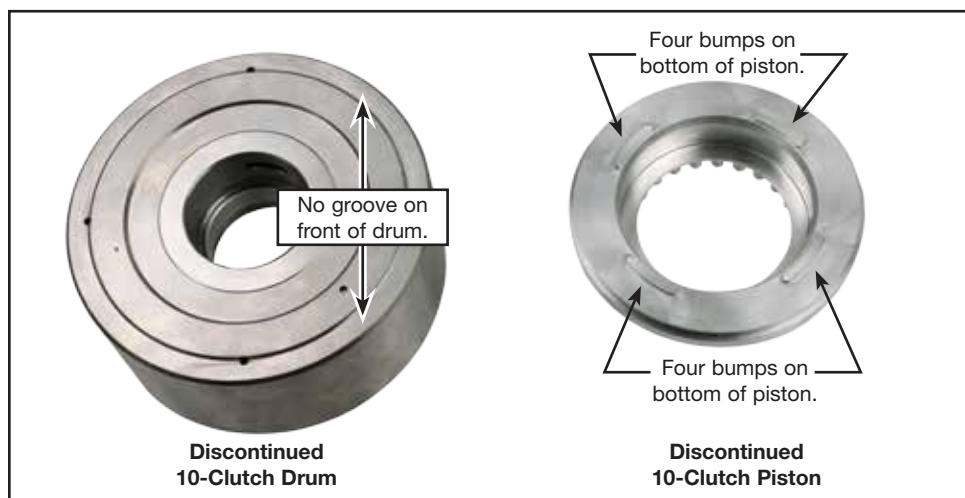
10-Clutch Piston
28765-04

10-Clutch Drums

28755-01

28755-08

With bearing



Discontinued
10-Clutch Drum

Discontinued
10-Clutch Piston

NOTES & CAUTIONS:

- Check clutch hub endplay. If excessive, install Sonnax shim **28304-30** between small wear plate and drum as shown to keep hub located closer to flange and ensure full clutch spline engagement with top of clutch hub. Some clutch hub endplay is required.
- A clutch stack up with 10 frictions requires the top friction to run against sun gear flange plate. When using non-Sonnax flanges, ensure the flange surface is smooth enough to run friction material directly on the flange surface (generally RA20 or better).

If sun gear flange plate is NOT suitable for running friction material directly on flange surface, replace top friction with steel plate for a total of nine frictions and 11 steel plates.

