



SOFT TRI-FOLD TONNEAU INSTALLATION GUIDE

The Rough Country Soft Tri-Fold Tonneau Cover comes fully assembled.

NOTE any damaged or missing parts? Parts will be shipped to you directly.

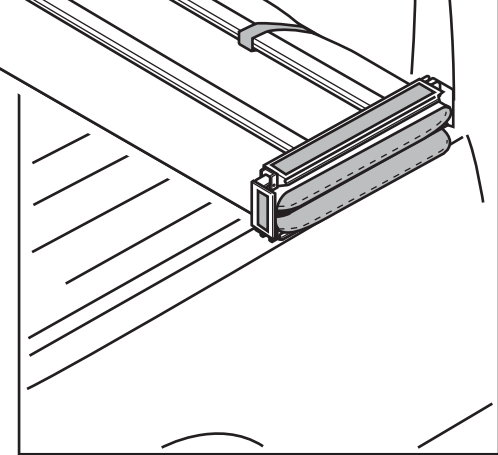
Call 1-800-222-7023, 7:00AM - 10:00PM M-Th, 7:00AM - 7:00PM Fri., 8:00AM - 5:00PM Sat. EST.

1 Wash truck bed.

2 Place assembled tonneau over cab end of truck box.

3 Unfold the tonneau fully and adjust position over the truck bed for proper cab/tail alignment.

Carefully refold the tonneau without shifting its position on the truck bed.



4 If your truck has a bed cap or bedliner that covers the metal bed flange, you will need to remove enough so that all the clamps make solid contact.

Trim only enough of the bed cap edge or liner wall so clamp contacts bottom of metal flange.

100mm

5 Ensure clamp is positioned under bed flange. Hand tighten until clamp contacts, then tighten an additional two turns.

Do not secure to only lip of bedliner or wall cap. **Do Not Use Wrench or Overtighten!**

6 With tailgate down, completely open the tonneau cover.

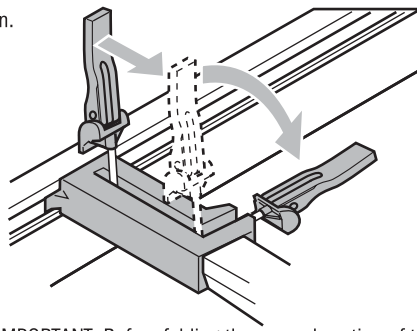
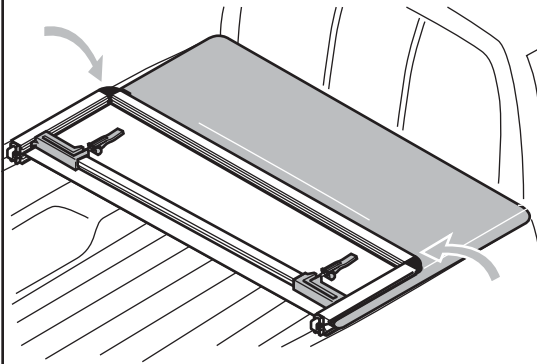
7

Slide rear clamps out to bed flange and position under bottom edge of bed flange.

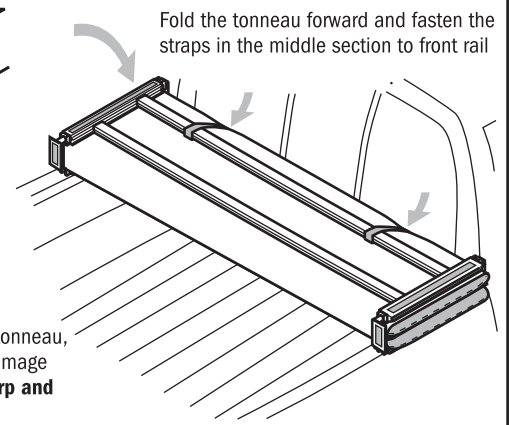
Pull clamp lever down to secure against bed flange



8 It is very convenient to drive with the Tri-Fold Tonneau open. Release the rear clamps and fold the tonneau forward.

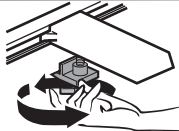
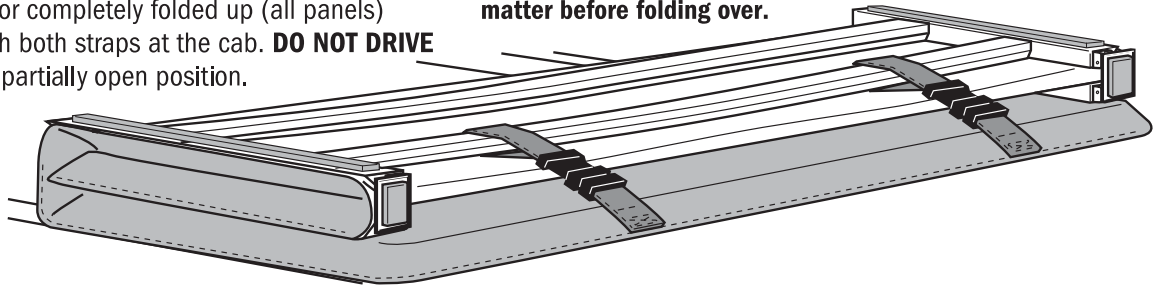


IMPORTANT: Before folding the second section of tonneau, rear clamps must be stowed into rail to prevent damage to fabric. **Failure to stow handle will puncture tarp and void warranty.**



IMPORTANT NOTICE: While driving, tonneau must be completely flat and secure with all 4 clamps in the closed position or completely folded up (all panels) and secured with both straps at the cab. **DO NOT DRIVE** with tonneau in partially open position.

NOTE: Tarp can not be removed from aluminum frame. Attempting to do so will cause damage and void the warranty. **Remove any snow or foreign matter before folding over.**



IMPORTANT
Re-tighten the front / cab clamps after the first week of driving the vehicle. Also periodically check the clamps to ensure they are secure.

LIMITED LIFETIME WARRANTY

The full hardware kit including rails, clamps and bows carries a lifetime warranty, while the fabric cover is warranted for 10 years. Warranty is to the original consumer purchaser and is not transferrable.

WARRANTY COVERAGE

This tonneau cover is warranted against defective materials or workmanship. This warranty is void if the product has been damaged by accident, unreasonable use, neglect, improper installation, service, or other cause not arising out of defects in material or other cause not arising out of defects in material or workmanship.

WARRANTY CONDITIONS

Failure to follow these care instructions will void warranty:

- Clean with soap and water only.
- Do not use any vinyl conditioners that contain silicone or petroleum (ie, Armor All[®]) as they may crack and shrink the vinyl.
- Tonneau cover must be secured at all points when vehicle is in motion. An unsecured tonneau will flap, resulting in damage or may even lift off of truck.
- Do not overload cargo. Protrusions in the tarp will stress fabric.
- Do not tow vehicle backwards with cover down. Tonneau cover must be folded and secured to buckles.



WARRANTY PERFORMANCE

If all warranty conditions are met, a defective tonneau cover, tarp, or hardware component will either be repaired or replaced (at our option). Rough Country reserves the right to substitute and offer the respective warranty discount on an entire replacement system or provide other remedies than those mentioned in this document. A Return Authorization number must be obtained from our Customer Service Department prior to returning any product. Rough Country may require the original item to be returned postage prepaid for final determination. Shipping charges will apply for any repair or replacement. Other than postage or shipping charges, no charge will be made for repair or replacement. The repaired or replaced tonneau will be covered by warranty based on the original date of purchase. This warranty gives you specific legal rights and you may also have other legal rights which vary from state to state.



SPECIAL INSTRUCTIONS FOR FACTORY RAILS/TRACKS

Vehicles with factory rail/track systems require the following clamp kits for installation..

PART NO:	VEHICLE DESCRIPTION
22440504	CHEVROLET/GMC SILVERADO/SIERRA with Track System
22440504	FORD F-150 with Track System
22440702	DODGE DAKOTA with Track System
22440304	NISSAN TITAN 2005-PRESENT with Track System
22440204	NISSAN FRONTIER 2005-PRESENT with Track System
22440104	TOYOTA TUNDRA 2007-PRESENT with Track System
22440104	TOYOTA TACOMA 2005-2015 with Track System
22440100	TOYOTA TACOMA 2016 with Track System

For all rail/track systems, remove any factory bolts from rail channel if they interfere with installing the slide nut into channel. After installation, reinstall factory bolts as necessary.

DODGE DAKOTA

CAB CLAMP
Add clamp plate as shown here

Add clamp plate as shown here

TAILGATE CLAMP
Hook clamp directly into the factory rail

Adjust tension by moving tension nut into handle 1/2" - 5/8"

Do Not Overtighten

NISSAN FRONTIER 2005-

CAB CLAMP
Add clamp plate as shown here

Add clamp plate as shown here

TAILGATE CLAMP

Do Not Overtighten

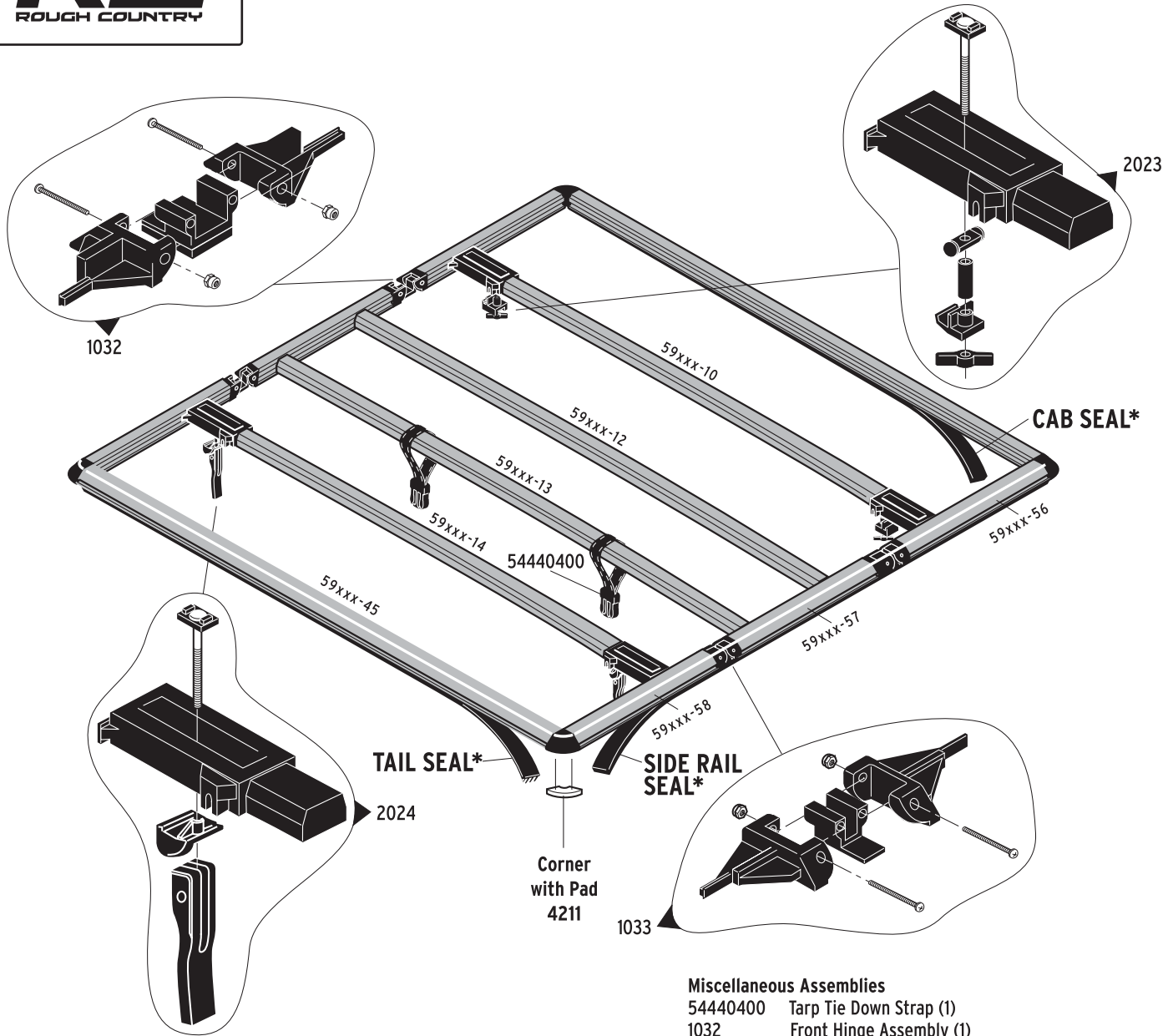
ALL OTHER CARGO MANAGEMENT EQUIPPED TRUCKS

Do Not Overtighten



PARTS

Replacement Parts Reference List



To order replacement parts, "XXX" represents the 3 digit vehicle application, as referenced on the application list or sales receipt. For assistance, contact Customer Service 800-222-7023.

58XXX Tri-Fold Replacement Tarp

Replacement Bows

- 59XXX-10 Cab Bow
- 59XXX-11 Cab Bow
(for short trucks that only have 3 bows: 59101, 59107, 59404 & 59501)
- 59XXX-12 Cab Center Bow
- 59XXX-13 Tail Center Bow
- 59XXX-14 Tail Bow

Rail Assemblies

- 59XXX-35 Cab Rail (includes Corners, Pads and Rail Seal)
- 59XXX-45 Tail Rail (includes Corners, Pads and Rail Seal)
- 59XXX-56 Cab Side Rail (includes Rail Seal)
- 59XXX-57 Center Side Rail (Includes Rail Seal)
- 59XXX-58 Tail Side Rail (Includes Rail Seal)
- 4211 Corners with pads (set of 2)

Miscellaneous Assemblies

- 54440400 Tarp Tie Down Strap (1)
- 1032 Front Hinge Assembly (1)
- 1033 Rear Hinge Assembly (1)
- 2023 Front Clamp Assembly (1)
- 2024 Rear Clamp Assembly (1)

Replacement Tail Seals*

- 32001768 Standard Tail Fin Seal (68") fits all trucks except Toyota Tacoma
- 32001668 1 3/8" Foam Seal (5' 5") fits Toyota Tacoma applications

Replacement Cab Seals*

- 32640100 Standard PE Foam Seal (8 ft) fits most applications
- 32561500 7/8" D Seal (6 ft) fits Ford F150 and Super Duty applications
- 32562569 3/4" Two-Fin Seal (69.5") fits Nissan Frontier applications
- 32001668 1 3/8" Foam Seal (5' 5") fits Toyota Tacoma applications
- 32440500 1/2" D Seal (6 ft) fits full size Chevy/GMC applications

Replacement Side Rail Seals

- 32640100 Standard PE Foam Seal (8 ft) fits most applications
- 32440500 1/2" D Seal (6 ft) fits full-size Ford & Chevy applications

*For best fit, please verify Seal Replacement part numbers with Customer Service.