



1974.5-1993 Dodge W Series Pickups 4WD  
 (W100, W150, W200, W250, W300 & W350)  
 1961-1974 Dodge W100 \ W200 Series 4WD  
 1974.5-1993 Dodge Ramcharger 4WD  
 1978-1981 Plymouth Trailduster 4WD

## Installation Instructions

### Required Tools List:

- SAE Sockets \ Wrenches
- Diagonal Cutting Pliers
- Adjustable Locking Pliers
- Alignment Bar or Screwdriver
- Cut-Off Tool or Hacksaw
- C-Clamps
- Jack Stands
- Floor Jack
- Torque Wrench
- Safety Glasses
- Wheel Chock
- Measuring Tape



Before beginning installation, read these instructions & enclosed driver's WARNING NOTICE thoroughly & completely. Also affix WARNING decal in passenger compartment in clear view of all occupants. Please refer to Parts List to insure that all parts & hardware are received prior to disassembly of vehicle. If any parts are found to be missing, contact SKYJACKER® Customer Service at 318-388-0816 to obtain needed items. If you have any questions or reservations about installing this product, contact SKYJACKER® Technical Assistance at 318-388-0816.

**Please Record Important Measurement Information Below for Reference.**

**It is very helpful on determining an Accurate Achieved Lift Height Measurement.**

Make sure you park vehicle on a level concrete or asphalt surface. Many times a vehicle is not level (side-to-side) from factory, but is usually not noticed until a lift kit has been installed which makes difference more visible. Using a measuring tape, measure front & rear (both sides) from ground up to center of fender opening above axle.

Driver Side Front: _____ / _____ BEFORE / AFTER	Passenger Side Front: _____ / _____ BEFORE / AFTER
Driver Side Rear: _____ / _____ BEFORE / AFTER	Passenger Side Rear: _____ / _____ BEFORE / AFTER

### Important Notes:

- Lift Kit Height is Based off of Front Lift Height with Less Rear Lift for a More Level Stance.
- If Larger Tires (10% More Than OEM Diameter) Are Installed, Speedometer Recalibration Will Be Necessary. Contact Your Local RAM Dealer or an Authorized Skyjacker® Dealer for Details.
- After Installation, a Qualified Alignment Facility Is Required to Align Vehicle to OEM Specifications.
- If Equipped With OEM Front Sway Bar, Sway Bar Relocation Brackets Must Be Ordered.  
 3"-4" Lift Height Part # SBL20.      6"-8" Lift Height Part # SBL40.
- On 6" Lift Kits, OEM Front Drive Shaft May Require Lengthening.
- On 8" Lift Kits, OEM Front Drive Shaft Will Require Lengthening.

**Component Box Breakdown:****Part # D200**

Item #	Description	Qty
D200S	SOFTTRIDE LEAF SPRINGS, 2"	2
SE12D	SPRING BUSHING KIT, 1961-1993	1

**Part # D200C**

Item #	Description	Qty
D200CS	SOFTTRIDE LEAF SPRINGS, 2.5"	2
SE12D	SPRING BUSHING KIT, 1961-1993	1

**Part # D240A**

Item #	Description	Qty
916X212X7U	9/16 X 2-1/2 X 7 U-BOLT, SQUARE	4
916X212X1312U	9/16 X 2-1/2 X 13-1/2 U-BOLT	4
RB20	TAPERED REAR BLOCK, 2"	2
HB-DA	HDWR BAG: DODGE 2", 4", 6", 8"	1

**Part # D240BA**

Item #	Description	Qty
916X3X712U	9/16 X 3 X 7-1/2 U-BOLT, ROUND	2
916X334X814U	9/16 X 3-3/4 X 8-1/4 U-BOLT, RD	1
916X3CTB	9/16 X 3 COARSE THREAD BOLT	2
916FTN	9/16 NYLON INSERT LOCK NUT	6
SE12D	SPRING BUSHING KIT, 1961-1993	1

**Part # D240BS**

Item #	Description	Qty
916X3X712U	9/16 X 3 X 7-1/2 U-BOLT, ROUND	2
916X334X814U	9/16 X 3-3/4 X 8-1/4 U-BOLT, RD	1
916X212X7U	9/16 X 2-1/2 X 7 U-BOLT, SQ	4
HB-DB	HDWR BAG: DODGE B KITS	1

**Part # D240CD**

Item #	Description	Qty
916X212X1312U	9/16 X 2-1/2 X 13-1/2 U-BOLT	4
916X4X912U	9/16 X 4 X 9-1/2 U-BOLT, ROUND	1
916X314X912U	9/16 X 3-1/4 X 9-1/2 U-BOLT	2
RB20	TAPERED REAR BLOCK, 2"	2
HB-DB	HDWR BAG: DODGE B KITS	1

**Part # D240CDA**

Item #	Description	Qty
916X4X912U	9/16 X 4 X 9-1/2 U-BOLT, ROUND	1
916X314X912U	9/16 X 3-1/4 X 9-1/2 U-BOLT	2
916X3CTB	9/16 X 3 COARSE THREAD BOLT	2
SE12D	SPRING BUSHING KIT, 1961-1993	1

**Part # D240CDS**

Item #	Description	Qty
916X4X912U	9/16 X 4 X 9-1/2 U-BOLT, ROUND	1
916X314X912U	9/16 X 3-1/4 X 9-1/2 U-BOLT	2
916X3CTB	9/16 X 3 COARSE THREAD BOLT	2
916X212X7	9/16 X 2-1/2 X 7 U-BOLT	4
SE12D	SPRING BUSHING KIT, 1961-1993	1
SE17D	SPRING BUSHING KIT, 1992-1993	1

**Component Box Breakdown:****Part # D240CS**

Item #	Description	Qty
916X212X7U	9/16 X 2-1/2 X 7 U-BOLT, SQUARE	4
916X4X912U	9/16 X 4 X 9-1/2 U-BOLT, ROUND	1
916X3X712U	9/16 X 3 X 7-1/2 U-BOLT, ROUND	2
HB-DB	HDWR BAG: DODGE B KITS	1

**Part # D400**

Item #	Description	Qty
D400CS	SOFTTRIDE LEAF SPRINGS, 4"	2
SE12D	SPRING BUSHING KIT, 1961-1993	1

**Part # D400BR**

Item #	Description	Qty
916X212X1512U	9/16 X 2-1/2 X 15-1/2 U-BOLT	4
916X334X814U	9/16 X 3-3/4 X 8-1/4 U-BOLT, RD	1
916X3X712U	9/16 X 3 X 7-1/2 U-BOLT, ROUND	2
RB35	TAPERED REAR BLOCK, 3.5"	2
HB-DB	HDWR BAG: DODGE B KITS	1

**Part # D400C**

Item #	Description	Qty
D400CS	SOFTTRIDE LEAF SPRINGS, 4"	2
SE12D	SPRING BUSHING KIT, 1961-1993	1

**Part # D492CDS**

Item #	Description	Qty
916X314X912U	9/16 X 3-1/4 X 9-1/2 U-BOLT	2
916X4X912U	9/16 X 4 X 9-1/2 U-BOLT, ROUND	1
916X3CTB	9/16 X 3 COARSE THREAD BOLT	2
916X212X1012U	9/16 X 2-1/2 X 10-1/2 U-BOLT	4
RBF20	FLAT REAR BLOCK, 2"	2
SE12D	SPRING BUSHING KIT, 1961-1993	1
SE17D	SPRING BUSHING KIT, 1992-1993	1
916FTN	9/16 NYLON INSERT LOCK NUT	14

**Part # D600C**

Item #	Description	Qty
D600CS	SOFTTRIDE LEAF SPRINGS, 6"	2
SE12D	SPRING BUSHING KIT, 1961-1993	1

**Part # D600CD**

Item #	Description	Qty
916X212X1512U	9/16 X 2-1/2 X 15-1/2 U-BOLT	4
916X4X912U	9/16 X 4 X 9-1/2 U-BOLT, ROUND	1
916X314X912U	9/16 X 3-1/4 X 9-1/2 U-BOLT	2
RB45	TAPERED REAR BLOCK, 4.5"	2
HB-DB	HDWR BAG: DODGE B KITS	1

**Component Box Breakdown:****Part # D600CDS**

Item #	Description	Qty
916X314X912U	9/16 X 3-1/4 X 9-1/2 U-BOLT	2
916X4X912U	9/16 X 4 X 9-1/2 U-BOLT, ROUND	1
916X3CTB	9/16 X 3 COARSE THREAD BOLT	2
916X212X1012U	9/16 X 2-1/2 X 10-1/2 U-BOLT	4
916FTN	9/16 NYLON INSERT LOCK NUT	8
SE12D	SPRING BUSHING KIT, 1961-1993	1
SE17D	SPRING BUSHING KIT, 1992-1993	1

**Part # D680A**

Item #	Description	Qty
916X212X7U	9/16 X 2-1/2 X 7 U-BOLT, SQUARE	4
916X212X1512U	9/16 X 2-1/2 X 15-1/2 U-BOLT	4
RB45	TAPERED REAR BLOCK, 4.5"	2
HB-DB	HDWR BAG: DODGE B KITS	1

**Part # D680AS**

Item #	Description	Qty
916X212X7U	9/16 X 2-1/2 X 7 U-BOLT, SQUARE	4
916X212X1012U	9/16 X 2-1/2 X 10-1/2 U-BOLT	4
HB-DA	HDWR BAG: DODGE 2", 4", 6", 8"	1

**Part # D680B**

Item #	Description	Qty
916X3X712U	9/16 X 3 X 7-1/2 U-BOLT, ROUND	2
916X334X814U	9/16 X 3-3/4 X 8-1/4 U-BOLT, RD	1
916X212X1512U	9/16 X 2-1/2 X 15-1/2 U-BOLT	4
RB45	TAPERED REAR BLOCK, 4.5"	2
HB-DB	HDWR BAG: DODGE B KITS	1

**Part # D680BR**

Item #	Description	Qty
916X3X712U	9/16 X 3 X 7-1/2 U-BOLT, ROUND	2
916X334X814U	9/16 X 3-3/4 X 8-1/4 U-BOLT, RD	1
916X212X1512U	9/16 X 2-1/2 X 15-1/2 U-BOLT	4
RB55	TAPERED REAR BLOCK, 5.5"	2
HB-DB	HDWR BAG: DODGE B KITS	1

**Part # D680BS**

Item #	Description	Qty
916X3X712U	9/16 X 3 X 7-1/2 U-BOLT, ROUND	2
916X334X814U	9/16 X 3-3/4 X 8-1/4 U-BOLT, RD	1
916X212X1012U	9/16 X 2-1/2 X 10-1/2 U-BOLT	4
HB-DB	HDWR BAG: DODGE B KITS	1

**Part # D692CD**

Item #	Description	Qty
916X314X912U	9/16 X 3-1/4 X 9-1/2 U-BOLT	2
916X4X912U	9/16 X 4 X 9-1/2 U-BOLT, ROUND	1
916X3CTB	9/16 X 3 COARSE THREAD BOLT	2
916X212X17U	9/16 X 2-1/2 X 17 U-BOLT, SQ	4
RB20	TAPERED REAR BLOCK, 2"	2
916FTN	9/16 NYLON INSERT LOCK NUT	14
SE12D	SPRING BUSHING KIT, 1961-1993	1

**Component Box Breakdown:****Part # D692CDS**

Item #	Description	Qty
916X314X912U	9/16 X 3-1/4 X 9-1/2 U-BOLT	2
916X4X912U	9/16 X 4 X 9-1/2 U-BOLT, ROUND	1
916X3CTB	9/16 X 3 COARSE THREAD BOLT	2
916X212X1312U	9/16 X 2-1/2 X 13-1/2 U-BOLT	4
916FTN	9/16 NYLON INSERT LOCK NUT	8
RB45	TAPERED REAR BLOCK, 4.5"	2
SE12D	SPRING BUSHING KIT, 1961-1993	1
SE17D	SPRING BUSHING KIT, 1992-1993	1
916X212X7U	9/16 X 2-1/2 X 7 U-BOLT, SQUARE	4
916X212X1512U	9/16 X 2-1/2 X 15-1/2 U-BOLT	4
RB45	TAPERED REAR BLOCK, 4.5"	2
HB-DB	HDWR BAG: DODGE B KITS	1

**Hardware Bag Breakdown:****Part # HB-DA**

Item #	Description	Qty
SP2029	SPRING BUSHINGS	8
SSDGE	SPRING BUSHING SLEEVES	4
916FTN	9/16 NYLON INSERT LOCK NUT	16

**Part # HB-DB**

Item #	Description	Qty
SP2029	SPRING BUSHINGS	8
SSDGE	SPRING BUSHING SLEEVES	4
916FTN	9/16 NYLON INSERT LOCK NUT	14
916X3CTB	9/16 X 3 COARSE THREAD BOLT	2

**Part # SE12D**

Item #	Description	Qty
SP2029	FRONT SPRING BUSHINGS	8
SSDGE	SLEEVE, .625 OD X 0.500 ID X 2.875 L	4

**Part # SE17D**

Item #	Description	Qty
SP2060	REAR SPRING BUSHINGS	8
SSDGE	SLEEVE, .625 OD X 0.500 ID X 2.875 L	4

## **Pre-Installation Tips: Install Spring Eye Bushings & Sleeves into Leaf Springs.**

1. Coat Spring Eye Bushings with a water resistant lithium-based grease. Press into each spring eye of Front Softride Leaf Springs.
2. **NOTE:** Some 1992-1993 Models Use 5/8" Bolts in OEM Front Leaf Spring Eyes (all others use a 9/16" bolts). If Your Model Has 5/8" Bolts, **Do Not Use Supplied Steel Sleeves** in Skyjacker Front Spring Eyes (Only Use OEM Shoulder Bolt).

Coat outside of 0.625 OD x 0.500 ID x 2.875" Long Sleeve with a water resistant lithium-based grease. Press into spring eye bushings.

## **Pre-Installation Tips: Install Shock Boots & Bushings.**

1. Install supplied Shock Boot over Skyjacker Shock. Attach boot to cylinder body with supplied Boot Cable Tie. Remove excess cable tie with diagonal cutting pliers.
2. Coat Hourglass Bushings with a water resistant grease & press into each shock eye. Coat Sleeve & press into cylinder eye bushings.

---

## **Front Installation: Note: Save all factory components & hardware for reuse, unless noted.**

1. With vehicle on flat level ground, set emergency brake & chock rear tires \ wheels.
2. Raise front of vehicle, support frame rails using jack stands at indicated lift points in OEM service manual.
3. Remove front tires \ wheels.
4. Place a floor jack underneath front axle for support. Put a slight load on axle \ jack to prevent axle from moving. Allow ample room to lower front axle.
5. Remove OEM front shocks. Disconnect shock upper & lower retaining nuts.
6. Remove OEM u-bolts & two (2) studs. Discard u-bolts & hardware. Retain upper OEM u-bolt plate.
7. While checking for appropriate slack in brake lines, differential vent hose, & etc, lower front axle to gain access to OEM front leaf springs.

## **Note: Perform Step 8-10 on One Side at a Time.**

8. Remove OEM front leaf spring in this sequence. (Note direction of OEM hardware.)  
Loosen front spring eye bolt. Loosen rear spring eye bolt. Loosen rear shackle eye bolt.  
Disconnect spring eye bolts & remove leaf spring.

**Tech Note:** A helping hand is recommended during removal & installation to keep leaf spring assembly from falling.

9. Attach 'UP-Turned Spring Eye' end of Skyjacker leaf spring to front frame mount with OEM hardware. **Tech Note:** Skyjacker 6" & 8" leaf springs have a bottom degree shim. Place taller end of shim toward front of vehicle.

Attach 'DOWN-Turned Spring Eye' end of Skyjacker leaf spring to shackle at rear frame mount with OEM hardware.

Secure OEM hardware, but **Do Not Completely Tighten** leaf spring hardware at this time.

**Tech Note:** To set bushings properly for ride height, these will be tightened once vehicle is on ground with full vehicle weight on tires \ wheels.



10. Clean spring pads of all debris. Raise axle to mate leaf spring to axle.

**Note:** Be sure that leaf spring center bolt head seats properly into axle pad.

**Tech Note:** On models equipped with three (3) u-bolts & two (2) studs, install supplied 9/16" x 3" Coarse Thread Bolts in place of OEM studs using a 13/16" socket \ wrench.

Install supplied Skyjacker 9/16" u-bolts over axle up into OEM upper u-bolt plate. Install supplied 9/16" Nylon Insert Nuts using a 13/16" socket \ wrench.

Torque u-bolts evenly using an 'X' crisscross tightening sequence. Torque to 130 ft-lbs.

**Note:** Perform Steps 8-10 on Opposite Side at a this Time, Then Proceed to Step 11.

11. Install Skyjacker front shock with OEM hardware at upper shock tower mount first. Secure, but **Do Not Completely Tighten** at this time. **Tech Note:** If shocks are gas charged & banded, leave band in place until ready to connect to lower mount.

Connect Skyjacker shock with OEM hardware at lower axle mount. Secure, but **Do Not Completely Tighten** at this time.

12. Install front tires \ wheels. Lower vehicle to ground. Torque lugs to OEM service manual specifications.

**Refer to Separate Instructions for Replacement Pitman Arm, Steering Arm and \ or Adjustable Drag Link Installation.**

**If Sway Bar Lowering Kit Part # SBL20 or # SBL40 Was Purchased, Refer to Separate Instructions at this Time.**

**NOTE:** If vehicle is equipped with a Saginaw or corporate type front drive shaft, rotate drive shaft & check for clearance on CV joint cluster next to transfer case. If binding occurs, remove OEM drive shaft & grind off ears \ tabs until needed clearance is obtained & no further binding occurs.

**Rear Installation: Note: Save all factory components & hardware for reuse, unless noted.**

1. Chock front tires \ wheels. Raise rear of vehicle & support frame rails using jack stands at indicated lift points in OEM service manual.
2. Remove front tires \ wheels.
3. Place a floor jack underneath rear axle for support. Put a slight load on axle \ jack to prevent axle from moving. Allow ample room to lower rear axle.
4. Remove OEM rear shocks. Retain factory mounting hardware for re-use.
5. Remove OEM u-bolts. Discard u-bolts & hardware. Retain lower OEM u-bolt plate.
6. While checking for appropriate slack in brake lines, differential vent hose, e-brake & etc, lower rear axle to gain access to OEM rear leaf springs.

**Rear Lift Option 1: Add-A-Leaf Installation**

**Note:** Perform Steps 7-12 on One Side at a Time.

7. Loosen OEM leaf spring mounts. Loosen front spring eye bolt. Loosen rear spring eye bolt. Loosen rear shackle eye bolt.

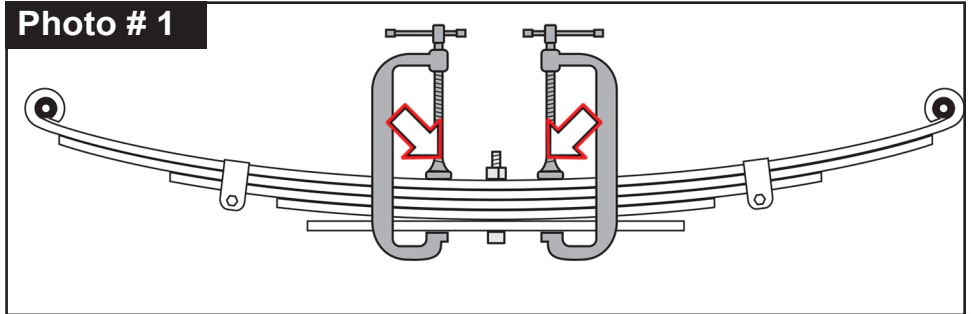
**Note:** Installation of Skyjacker Add-A-Leafs properly, you must use two (2) large C-clamps to contain elastic potential energy of OEM rear leaf springs when OEM tie bolts are being removed. **Tech Note:** Spray a good penetrating oil onto center tie bolt to help loosen nut.

8. Attach C-clamp on each side of OEM leaf spring center tie bolt to hold leaf spring assembly securely together. Tighten C-clamp equally on each side. (See Photo # 1)

Use locking pliers to hold head of OEM tie bolt. Use a wrench to loosen & remove nut. Remove tie bolt.

Carefully & slowly loosen C-clamps equally on each side until leaf spring expands completely. Remove C-clamps.

**Photo # 1**



**NOTE:** If installing # R1120 – Softride® Add-A-Leaf, Proceed to Step 9.

If installing # R225 – Heavy Duty Add-A-Leaf, Proceed to Step 15.

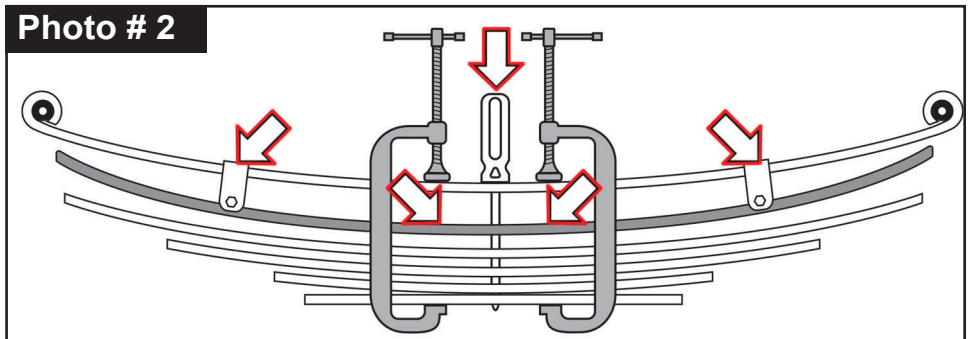
9. If equipped with bend clips \ straps that hold OEM leaf spring pack together, open up bend clips on each end of leaf spring. Separate leaves & install Skyjacker # R1120 – Softride® Add-A-Leaf into spring pack so leaves remain progressive (longest at top & shortest to bottom). # R1120 usually installs under spring top main leaf.

(See Photo # 2)

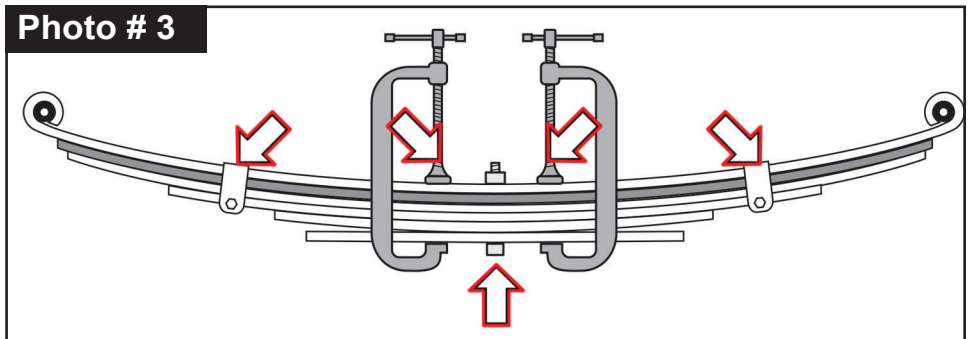
10. Use an alignment bar \ screwdriver to line up tie bolt hole in leaf spring pack. It is recommended to leave alignment bar \ screwdriver in to help keep leaves aligned as you tighten C-clamps.

(See Photo # 3)

**Photo # 2**



**Photo # 3**



**CAUTION: Do Not Use Skyjacker Tie Bolts to Draw OEM Leaf Springs Together. Failure of Any Component Can Cause an Explosive Disassembly & Possible Injury!**

11. Attach C-clamp on each side of Skyjacker tie bolt to hold leaf spring assembly. (See Photo # 3) Tighten C-clamps equally on each side until leaf spring compresses completely.
12. Once C-clamps have drawn leaves securely together, use locking pliers to hold tie bolt head & tighten tie bolt nut with a wrench. **Caution:** Do not use an air gun to tighten tie bolt. An air gun could strip or over torque \ stretch tie bolt.

**Torque Specifications:** 3/8" Tie Bolt= 17 ft lbs. \ 204 in-lbs.

**Note:** Make sure individual leaves are all in-line with each other. Re-form bend clips \ straps or install new bend clips. If heat is used on straps, allow straps to cool naturally & thoroughly before removing C-clamps.

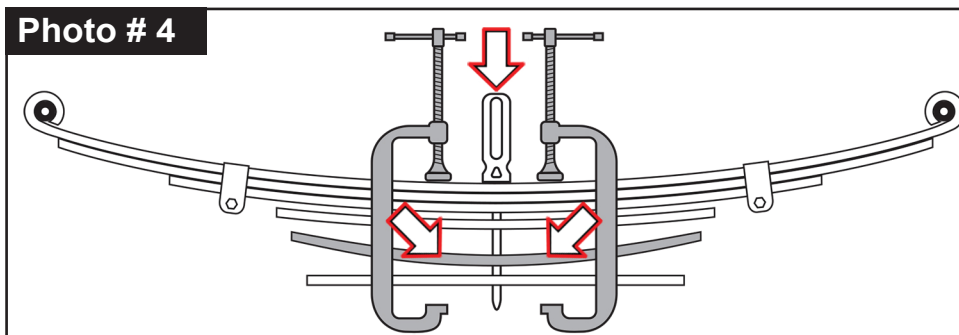
Remove C-clamps. Cut off any excess tie bolt length with cut-off tool or hacksaw.

**Note:** Perform Steps 7-12 on Opposite Side at a this Time, Then Proceed to Step 13.

13. Clean spring pads of all debris. Raise axle to mate leaf springs to OEM block. **Note:** Be sure that leaf spring center bolt head seats properly into OEM block & that OEM block pin seats properly into top of axle pad.
14. Install Skyjacker 9/16" u-bolts down over axle into OEM u-bolt plate. Install supplied 9/16" Nylon Insert Nuts using a 13/16" socket \ wrench. Tighten u-bolts evenly using an 'X' crisscross tightening sequence. Torque to 175 ft-lbs. **Proceed to Step 26.**

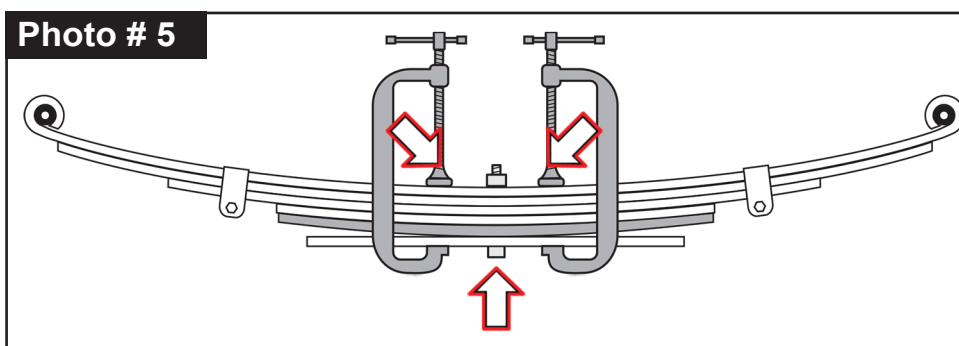
**Installing # R225 – Heavy Duty Add-A-Leaf. Perform Steps 15-18 on One Side at a Time.**

15. Separate leaves & install Skyjacker # R225 – Heavy Duty Add-A-Leaf between top spring pack & bottom overload leaf. (See Photo # 4)



16. Use an alignment bar \ screwdriver to line up tie bolt hole in leaf spring pack. It is recommended to leave alignment bar \ screwdriver in to help keep leaves aligned as you tighten C-clamps. (See Photo # 4)

**CAUTION: Do Not Use Skyjacker Tie Bolts to Draw OEM Leaf Springs Together. Failure of Any Component Can Cause an Explosive Disassembly & Possible Injury!**



17. Attach C-clamp on each side of Skyjacker tie bolt to hold leaf spring assembly. (See Photo # 5) Tighten C-clamps equally on each side until leaf spring compresses completely.
18. Once C-clamps have drawn leaves securely together, use locking pliers to hold tie bolt head & tighten tie bolt nut with a wrench. **Caution:** Do not use an air gun to tighten tie bolt. An air gun could strip or over torque \ stretch tie bolt.

**Torque Specifications:** 3/8" Tie Bolt = 17 ft-lbs. \ 204 in-lbs.

**Note:** Make sure individual leaves are all in-line with each other.

Remove C-clamps. Cut off any excess tie bolt length with cut-off tool or hacksaw.

**Note: Perform Steps 15-18 on Opposite Side at a Time, Then Proceed to Step 19.**

19. Clean spring pads of all debris. Raise axle to mate leaf springs to OEM block. **Note:** Be sure that leaf spring center bolt head seats properly into OEM block & that OEM block pin seats properly into top of axle pad.
20. Install Skyjacker 9/16" u-bolts down over axle into OEM u-bolt plate. Install supplied 9/16" Nylon Insert Nuts using a 13/16" socket \ wrench. Tighten u-bolts evenly using an 'X' crisscross tightening sequence. Torque to 175 ft-lbs. **Proceed to Step 26.**

## **Rear Lift Option 2: Rear Block & U-bolt Installation**

### **Perform Steps 21-22 on One Side at a Time.**

21. Clean spring pads of all debris.

Position Skyjacker Lift Block On Top of OEM block & axle pad.

**Note:** Place taller end of lift block toward rear of vehicle.

Raise axle to mate leaf springs to lift Skyjacker & OEM block. **Note:** Be sure that leaf spring center bolt head seats properly into Skyjacker block, Skyjacker Block seat properly into OEM block & that OEM block pin seats properly into top of axle pad.

22. Install Skyjacker 9/16" u-bolts down over axle into OEM u-bolt plate. Install supplied 9/16" Nylon Insert Nuts using a 13/16" socket \wrench. Tighten u-bolts evenly using an 'X' crisscross tightening sequence. Torque to 175 ft-lbs.

**Note:** Perform Steps 21-22 on Opposite Side at a this Time, Then Proceed to Step 26.

## **Rear Lift Option 3: Replacement Softride® Leaf Spring Installation**

### **Perform Step 23 on One Side at a Time.**

23. Remove OEM rear leaf spring. (Note direction of OEM hardware.)

Loosen front spring eye bolt. Loosen rear spring eye bolt. Loosen rear shackle eye bolt.

Disconnect spring eye bolts & remove leaf spring with rear shackle attached.

### **Install Correct Block Configuration with Replacement Rear Springs.**

#### **Vehicles With Gas Engines:**

2" Lift Remove OEM Blocks

4" Lift With # DR40 Leaf Spring, Install on Top of OEM Block

4" Lift With # DR60 Leaf Spring, Remove OEM Blocks

6" Lift Install on Top of OEM Block

8" Lift Install on Top of OEM Block

#### **Vehicles with Cummins® Diesel Engines:**

2.5" Lift Remove OEM Blocks

4" Lift With # DR60 Leaf Spring, Remove OEM Blocks & Install Supplied Skyjacker Block Kit.

6" Lift With # DR60 Leaf Spring, Remove OEM Blocks & Install Supplied Skyjacker Block Kit.

**Attention:** Some 1992-1993 Diesel Models Have Larger 3/4" Rear Spring Eye Bolts. If Your Model Does Have these 3/4" Bolts, You Must Remove Steel Encased Rubber Bushings from Skyjacker Rear Spring Eyes. Remove by Knocking Out or Pressing Out Bushings.

Use Supplied Part # SE17D Bushing Kit as Replacement Bushings. Coat Spring Eye Bushings with a water resistant lithium-based grease. Press into spring eye. Coat outside of 0.625 OD x 0.500 ID x 2.875" Long Sleeve with a water resistant lithium-based grease. Press into spring eye bushings.

Attach 'UP-Turned Spring Eye' end of Skyjacker leaf spring to front frame mount with OEM hardware. **Tech Note:** Some Skyjacker leaf springs have a bottom degree shim. Place taller end of shim toward rear of vehicle.

Attach 'DOWN-Turned Spring Eye' end of Skyjacker leaf spring to shackle at rear frame mount with OEM hardware.

Secure OEM hardware, but **Do Not Completely Tighten** leaf spring hardware at this time.

**Tech Note:** To set bushings properly for ride height, these will be tightened once vehicle is on ground with full vehicle weight on tires \wheels.



**Note: Perform Step 23 on Opposite Side at a this Time, Then Proceed to Step 24.**

24. Clean spring pads of all debris.

Raise axle to mate leaf springs to lift Skyjacker & OEM block. **Note:** Be sure that leaf spring center bolt head seats properly into Skyjacker block, Skyjacker Block seat properly into OEM block & that OEM block pin seats properly into top of axle pad.

25. Install Skyjacker 9/16" u-bolts down over axle into OEM u-bolt plate. Install supplied 9/16" Nylon Insert Nuts using a 13/16" socket \ wrench. Tighten u-bolts evenly using an 'X' crisscross tightening sequence. Torque to 175 ft-lbs. **Proceed to Step 26.**

26. Install Skyjacker rear shock with OEM hardware at upper shock tower mount first. Secure, but **Do Not Completely Tighten** at this time. **Tech Note:** If shocks are gas charged & banded, leave band in place until ready to connect to lower mount.

Connect Skyjacker shock with OEM hardware at lower axle mount. Secure, but **Do Not Completely Tighten** at this time.

27. Install rear tires \ wheels. Lower vehicle to ground. Torque lugs to OEM service manual specifications.

**Final Clearance Check & Torque Steps:**

1. Jounce vehicle a couple of times. This will help suspension settle to new ride height. Cycle steering lock-to-lock & check all components for proper operation & clearances. Pay special attention to clearance between tires \ wheels, shocks, brake hoses, ABS wiring, etc.

**2. Front Tighten & Torque Sequence.**

Tighten Shock Bushings until bushing starts to swell slightly.

Tighten Leaf Springs in this sequence:

Front spring eye bolt. Rear spring eye bolt. Rear shackle eye bolt.

**3. Rear Tighten & Torque Sequence.**

Tighten Shock Bushings until bushing starts to swell slightly.

Tighten Leaf Springs in this sequence:

Front spring eye bolt. Rear spring eye bolt. Rear shackle eye bolt.

**Final Notes:**

- After installation is complete, double check that all nuts & bolts are tight. Refer to following chart for proper torque specifications. (**Note:** Do not re-tighten nuts & bolts where thread lock compound was used.)
- With vehicle placed on ground, cycle steering lock to lock & inspect steering, suspension, brake lines, front & rear drivelines, fuel lines & wiring harnesses for proper operation, tightness & adequate clearance.
- Have headlights readjusted to proper settings.
- Have a qualified alignment center align vehicle to OEM specifications.
- After first 100 miles, check all hardware for proper torque & periodically thereafter.

**Seat Belts Save Lives, Please Wear Your Seat Belt.**

<b>TORQUE SPECIFICATIONS</b>					
<b>INCH SYSTEM</b>			<b>METRIC SYSTEM</b>		
<b>Bolt Size</b>	<b>Grade 5</b>	<b>Grade 8</b>	<b>Bolt Size</b>	<b>Class 8.8</b>	<b>Class 10.9</b>
5/16	180 in-lbs	240 in-lbs	6MM	60 in-lbs	108 in-lbs
3/8	30 ft-lbs	35 ft-lbs	8MM	216 in-lbs	23 ft-lbs
7/16	45 ft-lbs	60 ft-lbs	10MM	32 ft-lbs	45 ft-lbs
1/2	65 ft-lbs	90 ft-lbs	12MM	55 ft-lbs	75 ft-lbs
9/16	95 ft-lbs	130 ft-lbs	14MM	85 ft-lbs	120 ft-lbs
5/8	135 ft-lbs	175 ft-lbs	16MM	130 ft-lbs	165 ft-lbs
3/4	185 ft-lbs	280 ft-lbs	18MM	170 ft-lbs	240 ft-lbs
<b>The Above Specifications Are Not to Be Used When the Bolt Is Being Installed With a Bushing.</b>					

<b>STEERING CORRECTION RECOMMENDATIONS</b>				
<b>Lift Height</b>	<b>Drop Pitman Arm</b>	<b>3-Bolt Steering Arm</b>	<b>Steering Block for Open Knuckle Dana 60 Axle ONLY</b>	<b>Adjustable Drag Link</b>
<b>1981-1993 W250 &amp; W350 Pickup 4WD With Cummins® Diesel &amp; Power Steering</b>				
2.5"				DL10
4"	DA20			DL10
6"	DA45			DL10
<b>1981-1993 W250 &amp; W350 Pickup 4WD With Gas Engine &amp; Power Steering</b>				
2.5	DA20			DL10
3" - 4"	DA40			DL10
5" - 6"	DA40		SB60	DL10
7" - 8"	DA40		SB60	DL10
<b>1978-1980 W300 Pickup 4WD With Gas Engine &amp; Power Steering</b>				
3" - 4"	DA20			DL10
5" - 6"	DA40			DL10
7"-8"	DA40		SB60	DL10
<b>1961-1993 W100, W150 &amp; W200 Pickup 4WD With Gas Engine &amp; Power Steering</b>				
2.5"	DA20			DL10
4"	DA40			DL10
6"		DA60		DL10
8"	DA40	DA60		DL10
<b>1978-1993 Ramcharger &amp; 1978-1981 Trailduster With Gas Engine &amp; Power Steering</b>				
2.5"	DA20			DL10
4"	DA40			DL10
6"		DA60		DL10
8"		DA60		DL10
<b>1974-1977 Ramcharger With Gas Engine &amp; Power Steering</b>				
2.5"				DL10
4"		DA60		DL10
6"		DA60		DL10
8"	DA40	DA65		DL10