

ZZ454/440 Engine (12498777) Specifications

Specifications Part Number 19172103

This ZZ454/440 engine specification sheet should be used in conjunction with the 454 short block specification sheet, GM part number 19172101

Thank you for choosing GM Performance Parts as your high performance source. GM Performance Parts is committed to providing proven, innovative performance technology that is truly.... more than just power. GM Performance Parts are engineered, developed and tested to exceed your expectations for fit and function. Please refer to our catalog for the GM Performance Parts Authorized Center nearest you or visit our website at www.gmperformanceparts.com.

This publication provides general information on components and procedures that may be useful when installing or servicing a ZZ454/440 engine. Please read this entire publication before starting work. Also, please verify that all of the components listed in the Package Contents section below were shipped in the kit.

The information below is divided into the following sections: package contents, engine fastener torque specifications, component information, start-up and break-in procedures, ZZ454/440 engine specifications, additional parts that you may need to purchase, and a service parts list.

The ZZ454/440 base engine is a fully assembled long block. This engine is assembled using brand new, premium quality components. The ZZ454/440 engine is manufactured on current production tooling; consequently you may encounter dissimilarities between the ZZ454/440 engine assembly and previous versions of the big block V8. In general, items such as motor mounts, accessory drives, exhaust manifolds, etc. can be transferred to a ZZ454/440 engine when installed in a vehicle originally equipped with a big block V8 engine. However, as noted in the following sections, there may be significant differences in the water pump, torsional damper, etc., between a ZZ454/440 engine and an older big block V8 engine. These differences may require modifications or additional components not included with the ZZ454/440 engine. When installing the ZZ454/440 engine in a vehicle not originally equipped with a big block V8, it may be necessary to adapt or fabricate various components for the cooling, fuel, electrical, and exhaust systems. Due to the wide variety of vehicles in which a ZZ454/440 engine can be installed, some procedures and recommendations may not apply to specific applications.

It is not the intent of these specifications to replace the comprehensive and detailed service practices explained in the GM service manuals.

For information about warranty coverage, please contact your local GM Performance Parts dealer.

Observe all safety precautions and warnings in the service manuals when installing a ZZ454/440 engine in any vehicle. Wear eye protection and appropriate protective clothing. Support the vehicle securely with jackstands when working under or around it. Use only the proper tools. Exercise extreme caution when working with flammable, corrosive, and hazardous liquids and materials. Some procedures require special equipment and skills. If you do not have the appropriate training, expertise, and tools to perform any part of this conversion safely, this work should be done by a professional.

TITLE 454 Short Block Specifications	REV 15JA08	PART NO. 19172103	PAGE 1 OF 21
---	-------------------	--------------------------	---------------------

ALL INFORMATION WITHIN ABOVE BORDER TO BE PRINTED EXACTLY AS SHOWN ON 8 1/2 x 11 WHITE 16 POUND BOND PAPER. PRINT ON BOTH SIDES, EXCLUDING TEMPLATES. TO BE UNITIZED IN ACCORDANCE WITH GMSPO SPECIFICATIONS.	DATE	REVISION	AUTH
	16AP07	Initial Release - Rusty Sampsel	
	15JA08	Revised - Rusty Sampsel	

The information contained in this publication is presented without any warranty. All the risk for its use is entirely assumed by the user. Specific component design, mechanical procedures, and the qualifications of individual readers are beyond the control of the publisher, and therefore the publisher disclaims all liability incurred in connection with the use of the information provided in this publication.

Legal and Emissions Information

This publication is intended to provide information about the ZZ454/440 engine and related components. This manual also describes procedures and modifications that may be useful during the installation of a ZZ454/440 engine. It is not intended to replace the comprehensive service manuals and parts catalogs which cover General Motors engines and components. Rather, it is designed to provide supplemental information in areas of interest to "do-it-yourself" enthusiasts and mechanics.

This publication pertains to engines and vehicles which are used off the public highways except where specifically noted otherwise. Federal law restricts the removal of any part of a federally required emission control system on motor vehicles. Further, many states have enacted laws which prohibit tampering with or modifying any required emission or noise control system. Vehicles which are not operated on public highways are generally exempt from most regulations, as are some special interest and pre-emission vehicles. The reader is strongly urged to check all applicable local and state laws.

Many of the parts described or listed in this manual are merchandised for off-highway application only, and are tagged with the "Special Parts Notice" reproduced here:

Special Parts Notice

This part has been specifically designed for Off-Highway application only. Since the installation of this part may either impair your vehicle's emission control performance or be uncertified under current Motor Vehicle Safety Standards, it should not be installed in a vehicle used on any street or highway. Additionally, any such application could adversely affect the warranty coverage of such an on-street or highway vehicle

Chevrolet, Chevy, the Chevrolet Bow Tie Emblem, General Motors, and GM are all registered trademarks of the General Motors Corporation.

Package contents:

<u>Item</u>	<u>Description</u>	<u>Quantity</u>	<u>Part Number</u>
1	Base Engine Assembly	1	12496963
2	Short Block Instructions	1	19172101
3	Long Block Instructions	1	19172103

ZZ454/440 Engine Torque Specifications:

Cylinder head bolt /screw	Long / Short Bolts
First pass	25/20 ft.-lbs. / 34/27 N·m
Second pass	50/40 ft.-lbs. / 68/54 N·m
Final pass	75/65 ft.-lbs. / 102/88 N·m
Distributor bolt/screw	18 ft.-lbs. / 25 N·m
Engine block oil gallery plug	15 ft.-lbs. / 20 N·m
Engine front cover bolt screw	106 in.-lbs. / 12 N·m
Flywheel bolt/screw	65 ft.-lbs. / 90 N·m
Intake manifold bolt/screw	
First pass	10 ft.-lbs. / 14 N·m
Second pass	25 ft.-lbs. / 34 N·m
Oil filter adapter bolt/screw	18 ft.-lbs. / 25 N·m
Oil level indicator tube bolt/screw	106 in.-lbs. / 12 N·m
Oil pan assembly bolt/screw	18 ft.-lbs. / 25 N·m
Oil baffle nut	30 ft.-lbs. / 40 N·m
Oil pan drain plug	15 ft.-lbs. / 20 N·m
Oil pump bolt/screw to rear crankshaft bearing cap	66 ft.-lbs. / 90 N·m
Oil pump cover bolt/screw	106 in.-lbs. / 12 N·m
Spark plug	22 ft.-lbs. / 30 N·m
Starter motor bolt/screw	35 ft.-lbs. / 48 N·m
Valve lifter guide retainer bolt/screw	18 ft.-lbs. / 25 N·m
Water pump bolt/screw	30 ft.-lbs. / 40 N·m

Note: These torque values are in addition to those documented within the short block instructions.

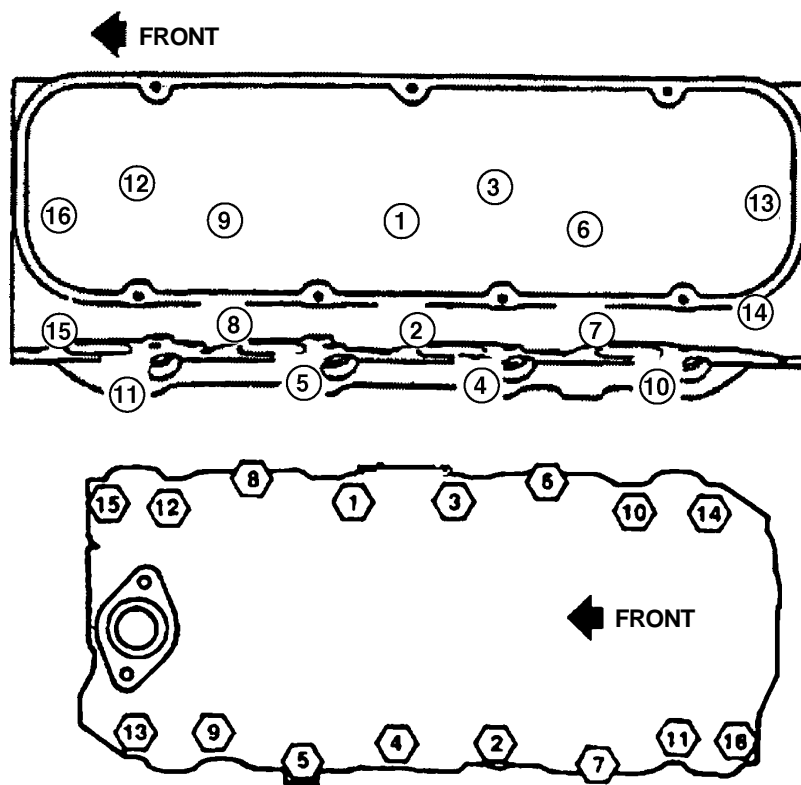
Component Information:

Cylinder heads:

The ZZ454/440 engine comes with fully assembled cylinder heads, GM Part Number 12363392. These cylinder heads are aluminum, oval port heads with 110cc combustion chambers, 2.19" stainless steel intake valves, and 1.88" stainless steel exhaust valves.

Cylinder Head Installation:

Installation is the same as for original equipment cylinder heads. Be sure to thoroughly clean the surface of the block and the surface of the cylinder head prior to installing. Apply liquid Teflon to all head bolts that protrude into coolant passages. Tighten the bolts alternately per the sequence and pattern shown below. Apply torque in 25 ft.lb. increments over two repetitions with the third repetition to the final tightening specification. A re-torque of the cylinder head bolts is recommended after heat cycling the engine.



Caution

This engine assembly needs to be filled with oil and primed. You should add the specified oil (see start-up instructions) to your new engine. Check the engine oil level on the dipstick and add accordingly.

Start-up and Break-in Procedures

1. After installing the engine, ensure the crankcase has been filled with 5W30 motor oil (non-synthetic) to the recommended oil fill level on the dipstick. Also check and fill as required any other necessary fluids such as coolant, power steering fluid, etc.
2. The engine should be primed with oil prior to starting. Follow the instructions enclosed with the tool. To prime the engine, first remove the distributor to allow access to the oil pump drive shaft. Note the position of the distributor before removal. Install the oil priming tool, GM part number 12368084. Using a 1/2" drill motor, rotate the engine oil priming tool clockwise for three minutes. While you are priming the engine, have someone else rotate the crankshaft clockwise to supply oil throughout the engine and to all the bearing surfaces before the engine is initially started. This is the sure way to get oil to the bearings before you start the engine for the first time. Also, prime the engine if it sits for extended periods of time. Reinstall the distributor in the same orientation as it was removed.
3. Safety first. If the vehicle is on the ground, be sure the emergency brake is set, the wheels are chocked and the car cannot fall into gear. Verify everything is installed properly and nothing was missed.
4. Start the engine and adjust the initial timing. If using the HEI distributor P/N 93440806, set the ignition timing to 4° before top dead center (BTDC) at 650 rpm with the vacuum advance line to the distributor disconnected and plugged. This setting will produce 26° of total advance at wide-open throttle (WOT) when using the HEI distributor P/N 93440806. The HEI vacuum advance canister should remain disconnected. This engine is designed to operate using only the internal centrifugal advance to achieve the correct timing curve. Rotate the distributor counterclockwise to advance the timing. Rotate the distributor clockwise to retard the timing.

DATE	REVISION	AUTH

5. When possible, you should always allow the engine to warm up prior to driving. It is a good practice to allow the oil sump and water temperature to reach 180°F before towing heavy loads or performing hard acceleration runs.
6. Once the engine is warm, Double check the total advance timing is 26° at 4000 RPM if using the HEI distributor P/N 93440806.
7. The engine should be driven at varying loads and conditions for the first 30 miles or one hour without wide open throttle (WOT) or sustained high RPM accelerations.
8. Run five or six medium throttle (50%) accelerations to about 4000 RPM and back to idle (0% throttle) in gear.
9. Run two or three hard throttle (WOT 100%) accelerations to about 4000 RPM and back to idle (0% throttle) in gear.
10. Change the oil and filter. Replace with 5W30 motor oil (not synthetic) and a PF1218 AC Delco oil filter. Inspect the oil and the oil filter for any foreign particles to ensure that the engine is functioning properly.
11. Drive the next 500 miles under normal conditions or 12 to 15 engine hours. Do not run the engine at its maximum rated engine speed. Also, do not expose the engine to extended periods of high load.
12. Change the oil and filter. Again, inspect the oil and oil filter for any foreign particles to ensure that the engine is functioning properly.
13. Do not use synthetic oil for break-in. It would be suitable to use synthetic motor oil after the second recommended oil change and mileage accumulation. In colder regions, a lower viscosity oil may be required for better flow characteristics.

ZZ454/440 Engine Specifications:

Compression9.6:1
 Cylinder Head:Cast aluminum, oval port
 Valve Diameter (Intake/Exhaust):2.19"/1.88"
 Chamber Volume:110cc
 Camshaft:Hydraulic roller tappet
 Lift:510" intake, .540" exhaust
 Duration:211(intake, 230(exhaust @ .050" tappet lift
 Centerline:112(ATDC intake, 112(BTDC exhaust
 Rocker Arm Ratio:1.7:1, stamped steel
 Oil Pressure (Minimum):6 psig @ 1000 RPM
 18 psig @ 2000 RPM
 24 psig @ 4000 RPM
 Recommended Oil:5w30 synthetic racing oil (after break-in)
 Oil Filter:AC Delco part # - PF 1218
 Valve Lash1/8 turn down from 0
 Fuel:Premium unleaded - 92 (R+M/2)
 Maximum Engine Speed:5500 RPM
 Spark Plugs:AC Delco Rapidfire # 4
 Spark Plug Gap040"
 Firing Order:1-8-4-3-6-5-7-2

Information may vary with application. All specifications listed are based on the latest production information available at the time of printing.

Additional parts that may be needed:

Flywheel / Flexplate:

Like all big block V8 engines, the ZZ454/440 engine has 3.58" diameter flywheel flange bolt pattern. This engine comes equipped with a 14" diameter flexplate with a 168 tooth ring gear, GM Part Number 10185034. If your application requires a flywheel, GM Part Number 14096987, should be used. This flywheel is 14" diameter, 168 tooth ring gear, and is a for 11" diameter clutch. Use flywheel bolt GM Part Number 12337973 (6 required).

Pilot Bearing:

You must install a pilot bearing in the rear of the crankshaft if the engine will be used with a manual transmission. The pilot bearing aligns the transmission input shaft with the crankshaft centerline. A worn or misaligned pilot bearing can cause shifting problems and rapid clutch wear. A roller pilot bearing, GM Part Number 14061685, is recommended for this engine. This heavy-duty bearing adds an extra margin of reliability to a high performance drivetrain.

Oil Pan:

The ZZ454/440 engine includes oil pan, GM Part Number 10240721. This six-quart pan was originally designed for marine and truck usage and may cause interference problems when installed in certain applications. Check for clearance before installation of the engine. If the six-quart pan will not fit into your application, GM Part Number 12495360 is recommended as a substitute. This is a four-quart, right-hand dipstick oil pan, which comes with the gasket, four main cap bolts, oil pump screen, dipstick and tube.

Headers:

A ZZ454/440 engine should be equipped with a header exhaust system for maximum performance in applications where a non-production exhaust system is legal. For street performance and limited competition applications, the recommended header configuration is 2" diameter primary pipes, 36 inches long, with 3 1/2" diameter collectors. Use 3" diameter tailpipes with a balance tube ("H" pipe) and low restriction mufflers.

Rocker Covers:

The ZZ454/440 engine comes equipped with die cast rocker covers, GM Part Numbers 12553666 and 12553667. Additional tall and short valve covers are available. Please see the website at www.GMPerformanceparts.com or your local GM Performance Parts dealer. When using either the cast aluminum or the tall, chrome rocker covers; ensure that enough clearance exists between the cover and the brake booster.

ALL INFORMATION WITHIN ABOVE BORDER TO BE PRINTED EXACTLY AS SHOWN ON 8 1/2 x 11 WHITE 16 POUND BOND PAPER. PRINT ON BOTH SIDES, EXCLUDING TEMPLATES. TO BE UNITIZED IN ACCORDANCE WITH GMSPO SPECIFICATIONS.	DATE	REVISION	AUTH

ZZ454/440 Service Parts List:

Part #	Quantity	Name
6264902	1	Seal-Cr/Shf #5 Brg Cap Oil
10181306	1	Bearing-Cr/Shf Upr/Lwr #1
12529885	3	Bearing-Cr/Shf Upr/Lwr #2-3-4
10181307	1	Bearing-Cr/Shf Upr/Lwr Thrust
14096983	1	Crankshaft Asm
10101164	1	Seal Asm-Cr/Shf Rr Oil
14097040	1	Deflector Asm-Cr/Shf Oil
10216339	1	Balancer Asm-Cr/Shf
10114166	1	Key-Cr/Shf Bal
10126796	1	Bolt/Screw-Cr/Shf Bal
3864814	1	Washer-Cr/Shf Bal
10185034	1	Flywheel Asm
3727207	6	Bolt/Screw-Flywhl
10198922	8	Rod Asm-Conn
10215228	8	Piston Asm,Std (W/Pin)
14089095	8	Ring Kit, Pstn
10181277	16	Bearing-Conn Rod
10240721	1	Pan Asm-Oil
10106407	1	Gasket-Oil Pan
12555167	1	Pump Asm-Oil (W/Scrn)
3998289	1	Shaft-O/Pmp Drv
3764554	1	Retainer-O/Pmp Drv Shf
10105879	2	Pin-O/Pmp Loc
10230954	1	Cover Asm-Eng Frt (W/ Tmg Ind)
10191640	1	Seal Asm,Cr/Shf Frt Oil
10198910	1	Gasket,Eng Frt Cvr
12498778	1	454 Engine Asm, Partial
12363392	2	Head Asm,Cyl (Oval Port) W/Val
12363399	1	Cylinder Head
12366986	4	Intake Valves

Part #	Quantity	Name
12366988	8	Exhaust Valves
12495690	4	Valve Stem Seals
12462970	4	Outer/Inner Valve Spring
3947880	16	Valve Locks
3875916	8	Valve Spring Shim
3921912	8	Rocker Arm Stud
3860038	4	Guideplate
12555728	2	Gasket-Cyl Hd
88960334	8	Bolt/Screw,Cyl Hd (Short)
88960333	16	Bolt/Screw,Cyl Hd (Long)
12484890	1	Pump Asm-Wat
3860039	2	Gasket-W/Pmp
3860039	2	Gasket-W/Pmp
12363420	1	Manifold Pkg,Int*Q-Jet Base No
12366985	1	Gasket Pkg,Int Manif
24502611	1	Camshaft Asm
12560176	1	Sprocket-Cm/Shf
9424877	3	Bolt-Hex
12560177	1	Sprocket-Cr/Shf
10114177	1	Chain Asm-Tmg
10227762	8	Rod Asm-Vlv Push
10227763	8	Rod,Exh Vlv Push
17120061	16	Lifter Asm-Vlv
12551399	1	Retainer-Vlv Lifter
12562369	8	Guide-Vlv Lftr Push Rod
12553667	1	Cover Asm-Vlv Rkr Arm
12553666	1	Cover Asm-Vlv Rkr Arm
12368082	16	Arm Kit,Vlv Rkr(Qty 1)
10114123	16	Bolt/Screw-Vlv Rkr Arm Piv
19145286	1	Sparkplug

ALL INFORMATION WITHIN ABOVE BORDER TO BE PRINTED EXACTLY AS SHOWN ON 8 1/2 x 11 WHITE 16 POUND BOND PAPER. PRINT ON BOTH SIDES, EXCLUDING TEMPLATES. TO BE UNITIZED IN ACCORDANCE WITH GMSPO SPECIFICATIONS.	DATE	REVISION	AUTH

Caractéristiques techniques du moteur ZZ454/440 (12498777)

Numéro de pièce de caractéristiques techniques 19172103

Cette fiche de caractéristiques techniques du moteur ZZ454/440 devrait être utilisée conjointement avec la fiche de caractéristiques techniques de moteur embiellé 454, numéro de pièce GM 19172101.

Merci d'avoir choisi les pièces de GM Performance Parts. GM Performance Parts s'est engagée à offrir une technologie de rendement éprouvée et novatrice qui est réellement... beaucoup plus que de la puissance. Les pièces de GM Performance Parts ont été conçues, élaborées et mises à l'essai de manière à dépasser vos attentes d'ajustage précis et de fonction. Prière de se reporter à notre catalogue pour trouver le centre de GM Performance Parts agréé le plus près, ou aller sur notre site Web à www.gmperformanceparts.com.

La présente publication offre de l'information d'ordre général sur les composants et les procédures pouvant s'avérer utile lors de l'installation ou de l'entretien du moteur ZZ454/440. Prière de lire cette publication tout entière avant d'entamer le travail. S'assurer également que tous les composants énumérés sous la rubrique Contenu de l'emballage ci-dessous ont été expédiés dans la trousse.

Les renseignements ci-dessous sont répartis sous les rubriques suivantes : le contenu de l'emballage, les couples de serrage des attaches du moteur, les renseignements sur les composants, les procédures de démarrage et de rodage, les caractéristiques techniques du moteur ZZ454/440, les pièces supplémentaires que l'on pourrait devoir acheter et une liste de pièces de rechange.

Le moteur standard ZZ454/440 est un moteur à bloc-cylindres avec culasse entièrement assemblé. L'assemblage de ce moteur est effectué en utilisant des composants neufs de première qualité. Le moteur ZZ454/440 est fabriqué à l'aide de l'outillage de la production en cours; par conséquent, on pourrait rencontrer certaines dissimilitudes entre l'ensemble du moteur ZZ454/440 et les versions antérieures du moteur V-8 à gros bloc. En général, des composants tels que les supports du moteur, les entraînements des organes secondaires, les collecteurs d'échappement, etc., peuvent être transférés à un moteur ZZ454/440 lorsque celui-ci est installé dans un véhicule qui était muni à l'origine d'un moteur V8 à gros bloc. Toutefois, tel que mentionné aux sections suivantes, il peut exister des différences significatives de la pompe à eau, de l'amortisseur à torsion, etc., d'un moteur ZZ454/440 et d'un moteur V8 plus ancien à gros bloc. Ces différences peuvent nécessiter des modifications ou des composants supplémentaires qui ne sont pas compris avec le moteur ZZ454/440. Lors de l'installation du moteur ZZ454/440 dans un véhicule qui n'était pas muni à l'origine d'un moteur V8 à gros bloc, il peut s'avérer nécessaire d'adapter ou de fabriquer différents composants pour les systèmes de refroidissement, d'alimentation, électrique et d'échappement. Compte tenu de la grande variété de véhicules dans lesquelles un moteur ZZ454/440 peut être installé, certaines procédures et recommandations peuvent ne pas s'appliquer à certaines applications.

Ces caractéristiques techniques ne sont pas destinées à remplacer les pratiques d'entretien complètes et détaillées expliquées dans les manuels d'atelier GM.

Pour obtenir de l'information sur l'étendue de la garantie, prière de communiquer avec le concessionnaire GM Performance Parts de sa localité.

Observer toutes les mises en garde des manuels d'atelier relatives à la sécurité lors de l'installation d'un moteur ZZ454/440 dans tout véhicule. Porter des lunettes de sécurité et des vêtements de protection appropriés. Soutenir le véhicule sur des chandelles lors des manœuvres en dessous ou à proximité du véhicule. N'utiliser que les outils appropriés. Faire preuve d'une extrême prudence lors de la manipulation de liquides et de matières inflammables, corrosifs et dangereux. Certaines procédures exigent de l'équipement et des compétences spéciaux. Si l'on ne possède pas la formation, l'expérience ou les outils appropriés pour effectuer quelque manœuvre de conversion que ce soit en toute sécurité, prière de faire effectuer le travail par un professionnel.

TITLE 454 Short Block Specifications	REV 15JA08	PART NO. 19172103	PAGE 8 OF 21
---	-------------------	--------------------------	----------------------------

ALL INFORMATION WITHIN ABOVE BORDER TO BE PRINTED EXACTLY AS SHOWN ON 8 1/2 x 11 WHITE 16 POUND BOND PAPER. PRINT ON BOTH SIDES, EXCLUDING TEMPLATES. TO BE UNITIZED IN ACCORDANCE WITH GMSPO SPECIFICATIONS.	DATE	REVISION	AUTH

L'information contenue dans la présente publication est présentée sans garantie. L'utilisateur assume tout le risque de son utilisation. La conception des composants particuliers, les procédures mécaniques et les compétences des lecteurs individuels sont indépendantes de la volonté de l'éditeur et, ainsi, ce dernier se décharge de toute responsabilité liée à l'utilisation de l'information fournie dans la présente publication.

Information juridique et en matière d'émissions

La présente publication a pour objet d'offrir des renseignements sur le moteur ZZ454/440 et les composants connexes. Ce guide décrit également les procédures et les modifications pouvant s'avérer utiles lors de l'installation d'un moteur ZZ454/440. Ces renseignements ne sont pas destinés à remplacer les manuels d'atelier complets et les catalogues de pièces en matière de moteurs et de composants de la General Motors. Plutôt, ce guide a été conçu pour offrir des renseignements supplémentaires sur les matières pouvant intéresser les «bricoleurs» et les mécaniciens.

Cette publication s'applique aux moteurs et aux véhicules qui sont utilisés hors des voies publiques, sauf indication contraire expresse. Les règlements fédéraux restreignent la dépose des véhicules automobiles de toute partie d'un système antipollution exigé par la loi fédérale. En outre, de nombreux États ont établi des lois qui interdisent le traficage ou la modification de tout système antipollution ou antibruit exigé par la loi. En règle générale, les véhicules qui ne roulent pas sur les voies publiques, tout comme certains véhicules d'intérêt spécial et pré-émissions, sont exempts de la plupart de la réglementation. On suggère fortement au lecteur de consulter tous les règlements municipaux et provinciaux applicables.

Plusieurs des pièces qui sont décrites ou énumérées dans le présent ouvrage sont commercialisés à des fins hors autoroute seulement et ils portent l'étiquette «Special Parts Notice» (avis spécial sur les pièces) qui est reproduite ici.

«Special Parts Notice» (avis spécial sur les pièces)

Cette pièce a été conçue spécifiquement pour une application hors autoroute seulement. Puisque l'installation de cette pièce pourrait nuire au rendement antipollution du véhicule ou donner lieu à son manque d'homologation en vertu des normes de sécurité actuelles des véhicules automobiles, celle-ci ne doit pas être installée dans un véhicule qui sera utilisé sur une voie publique ou une autoroute. En outre, une telle application pourrait donner lieu à l'annulation de la garantie d'un tel véhicule hors route ou hors autoroute.

Chevrolet, Chevy, l'emblème du nœud papillon Chevrolet, General Motors et GM sont tous des marques déposées de la société General Motors.

Contenu de l'emballage :

<u>Article</u>	<u>Description</u>	<u>Quantité</u>	<u>Numéro de pièce</u>
1	Ensemble de moteur standard	1	12496963
2	Consignes en matière du bloc moteur embiellé	1	19172101
3	Consignes relatives au bloc moteur à bloc-cylindres avec culasse	1	19172103

Couple de serrage des attaches du moteur ZZ454/440 :

Boulon / vis de culasse	Boulons longs / courts
Première passe de serrage	34 à 27 Nm / 25 à 20 pi-lb
Deuxième passe de serrage	68 à 54 Nm / 50 à 40 pi-lb
Dernière passe de serrage	102 à 88 Nm / 75 à 65 pi-lb
Boulon / vis de l'allumeur	25 Nm / 18 pi-lb
Bouchon de canalisation d'huile du bloc moteur	20 Nm / 15 pi-lb
Boulon / vis de carter de distribution	12 Nm / 106 po-lb
Boulon / vis de volant moteur	90 Nm / 65 pi-lb
Boulon / vis de tubulure d'admission	
Première passe de serrage	14 Nm / 10 pi-lb
Deuxième passe de serrage	34 Nm / 25 pi-lb
Boulon / vis d'adaptateur de filtre à huile	25 Nm / 18 pi-lb
Boulon / vis du tube indicateur de niveau d'huile	12 Nm / 106 po-lb
Boulon / vis du carter d'huile	25 Nm / 18 pi-lb
Écrou du déflecteur d'huile	40 Nm / 30 pi-lb
Bouchon de vidange de carter d'huile	20 Nm / 15 pi-lb
Boulon / vis de pompe à huile au chapeau de palier arrière de vilebrequin	90 Nm / 66 pi-lb
Boulon / vis de couvercle de pompe à huile	12 Nm / 106 po-lb
Bougie d'allumage	30 Nm / 22 pi-lb
Boulon / vis de démarreur	48 Nm / 35 pi-lb
Boulon / vis du dispositif de retenue du guide de poussoir de soupape	25 Nm / 18 pi-lb
Boulon / vis de pompe à eau	40 Nm / 30 pi-lb

Nota : Ces valeurs de serrage sont outre celles qui sont précisées dans les consignes relatives au bloc moteur embiellé.

Renseignements sur les composants :

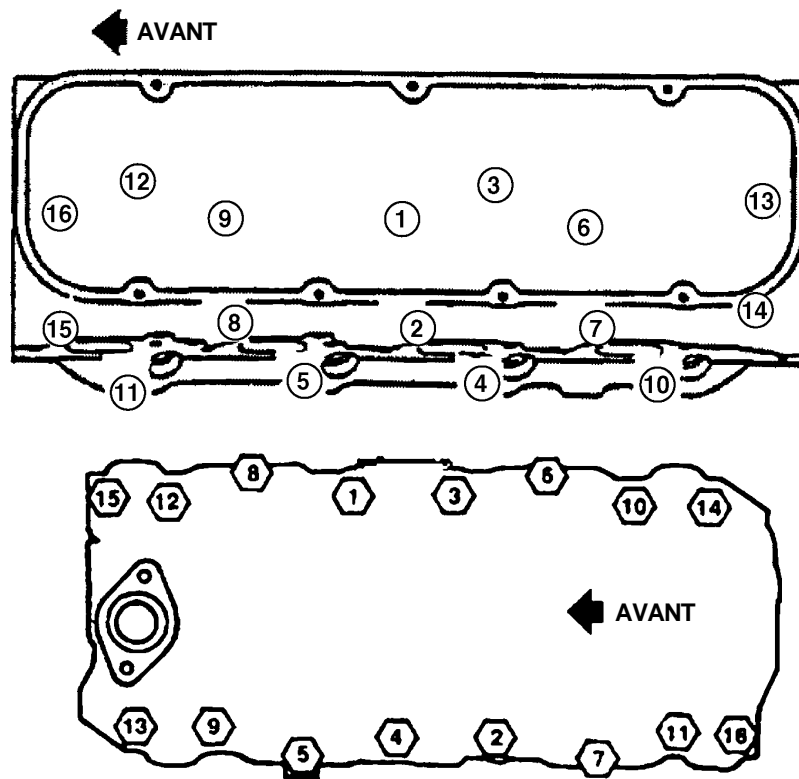
Culasses :

Le moteur ZZ454/440 est pourvu de culasses entièrement assemblées, numéro de pièce GM 12363392. Ces culasses en aluminium sont de style à orifices ovales avec chambres de combustion de 110 cc, des soupapes d'admission de 55,6 mm (2,19 po) en acier inoxydable et des soupapes d'échappement de 47,8 mm (1,88 po) en acier inoxydable.

Installation de la culasse :

L'installation est la même que pour les culasses d'origine. S'assurer de nettoyer la surface du bloc à fond, ainsi que la surface de la culasse préalablement à l'installation. Appliquer du Téflon liquide sur tous les boulons à tête qui font saillie dans les conduits de refroidissement. Serrer les boulons en alternance selon la séquence et la configuration illustrées ci-dessous. Serrer en incréments de 25 pi-lb à deux reprises, puis serrer à nouveau jusqu'à la valeur de serrage ultime. Il est conseillé de resserrer les boulons de la culasse suite au cyclage de chaleur du moteur.

DATE	REVISION	AUTH



Attention

Ce moteur doit être rempli d'huile et amorcé. L'huile spécifiée (se reporter aux consignes de démarrage) doit être ajoutée dans le moteur neuf. Vérifier le niveau d'huile à moteur sur la jauge et ajouter de l'huile en conséquence.

Procédures de démarrage et de rodage

1. Après avoir installé le moteur, s'assurer que le carter moteur a été rempli d'huile à moteur (non synthétique) 5W30 jusqu'au niveau de remplissage d'huile recommandé sur la jauge. En outre, vérifier et faire le plein, selon le besoin, de tout autre liquide nécessaire comme le liquide de refroidissement, le liquide de direction assistée, etc.
2. Le moteur doit être amorcé d'huile préalablement au démarrage. Suivre les directives accompagnant l'outil. Pour amorcer le moteur, retirer d'abord l'allumeur pour permettre l'accès à l'arbre d'entraînement de la pompe à huile. Prendre note de la position de l'allumeur avant de le retirer. Installer l'outil d'amorce d'huile, numéro de pièce GM 12368084. À l'aide d'un moteur de perceuse de 12,7 mm (1/2 po), faire tourner l'outil d'amorce d'huile à moteur dans le sens des aiguilles d'une montre pendant trois minutes. Pendant que l'on amorce le moteur, on doit demander à une autre personne de faire tourner le vilebrequin dans le sens des aiguilles d'une montre pour alimenter le moteur et les surfaces de tous les paliers en huile avant de faire démarrer le moteur pour la première fois. De cette façon, on s'assure de l'alimentation en huile des paliers avant le premier démarrage du moteur. Il faut également amorcer le moteur si celui-ci n'est pas utilisé pendant de longues périodes. Réinstaller l'allumeur dans le même sens que lors de sa dépose.
3. La sécurité d'abord. Si le véhicule repose sur le sol, s'assurer que le frein d'urgence est serré, que des cales sont placées sous les roues et que la boîte de vitesses de la voiture ne peut passer en prise. S'assurer que tout est installé de manière appropriée et que rien n'a été oublié.
4. Faire démarrer le moteur et régler le calage initial. Si la configuration de l'allumeur «HEI» (n/p 93440806) est utilisée, régler le calage de l'allumage à 4 ° avant le PMH à 650 tr/mn et s'assurer que la conduite d'avance à dépression vers l'allumeur est débranchée et bouchée. Ce réglage produit 26 ° de l'avance totale en position de pleins gaz lorsque l'allumeur «HEI», n/p 93440806, est utilisé. Le réservoir d'avance à dépression «HEI» doit demeurer débranché. Ce moteur a été conçu pour fonctionner en utilisant uniquement l'avance centrifuge interne pour atteindre la courbe d'avance à l'allumage appropriée. Faire tourner l'allumeur dans le sens antihoraire pour avancer l'allumage. Faire tourner l'allumeur dans le sens horaire pour retarder l'avance à l'allumage.

DATE	REVISION	AUTH

5. Dans la mesure du possible, toujours laisser réchauffer le moteur avant de se mettre à conduire. Une bonne pratique consiste à permettre à la température du carter d'huile et de l'eau d'atteindre 180 °F avant de remorquer de lourdes charges ou d'effectuer une accélération brusque.
6. Une fois le moteur réchauffé, revérifier l'avance totale à l'allumage à 26 ° à 4 000 tr/mn si l'allumeur «HEI», n/p 93440806, est utilisé.
7. Le moteur devrait tourner sous différentes charges et dans des conditions diverses pendant les 30 premiers milles, ou pendant une heure, sans papillon grand ouvert ou accélérations soutenues à régime élevé.
8. Effectuer cinq ou six accélérations à gaz moyens (50 %) jusqu'à environ 4 000 tr/mn puis retourner à la marche au ralenti (0 % des gaz) en prise.
9. Effectuer deux ou trois accélérations dures (pleins gaz à 100 %) jusqu'à environ 4 000 tr/mn puis retourner à la marche au ralenti (0 % des gaz) en prise.
10. Vidanger l'huile et remplacer le filtre. Remplacer par de l'huile à moteur (non synthétique) 5W30 et un filtre à huile PF1218 d'AC Delco. Inspecter l'huile et le filtre à huile afin de déceler toute particule étrangère pour s'assurer que le moteur fonctionne de manière appropriée.
11. Conduire la prochaine distance de 500 milles, ou de 12 à 15 heures moteur, dans des conditions normales. Ne pas laisser le moteur tourner à son régime nominal maximal. En outre, ne pas exposer le moteur à des périodes prolongées sous une charge élevée.
12. Vidanger l'huile et remplacer le filtre. Inspecter à nouveau l'huile et le filtre à huile afin de déceler toute particule étrangère pour s'assurer que le moteur fonctionne de manière appropriée.
13. Ne pas utiliser d'huile synthétique pour le rodage. Il serait approprié d'utiliser de l'huile à moteur synthétique après la deuxième vidange d'huile et l'accumulation de kilométrage recommandées. Dans les régions plus froides, l'utilisation d'une huile de viscosité plus faible peut s'avérer nécessaire pour obtenir de meilleures caractéristiques de débit.

Caractéristiques techniques du moteur ZZ454/440 :

Compression:9,6 à 1
 Culasse : Aluminium moulé, orifice ovale
 Diamètre des soupapes (d'admission et d'échappement) : 55,6 mm/47,8 mm (2,19 po/1,88 po)
 Volume de la chambre : 110 cc
 Arbre à cames : Poussoir à galet hydraulique
 Levée : Admission 13 mm (0,510 po), échappement 13,7 mm (0,540 po)
 Durée : Admission 211 °, échappement 230 ° à levée de poussoir de 1,3 mm (0,050 po)
 Axe central : Admission de 112 ° après PMH, échappement de 112 ° avant PMH
 Rapport des culbuteurs : 1,7 à 1, acier embouti
 Pression d'huile (minimale) : 6 psig à 1 000 tr/mn
 18 psig à 2 000 tr/mn
 24 psig à 4 000 tr/mn
 Huile recommandée : Huile synthétique de course 5W30 (après le rodage)
 Filtre à huile : N/P PF 1218 d'AC Delco
 Jeu de soupape : 1/8 tour depuis un jeu de 0
 Carburant : Supercarburant sans plomb - 92 (R+M/2)
 Régime maximal du moteur : 5 500 tr/mn
 Bougies d'allumage : AC Delco Rapidfire n° 4
 Écartement des électrodes : 1 mm (0,040 po)
 Ordre d'allumage : 1-8-4-3-6-5-7-2

L'information peut varier selon l'application. Toutes les caractéristiques techniques énumérées sont basées sur les plus récentes données de production disponibles à la date d'impression.

Pièces supplémentaires pouvant être requises :

Volant moteur / tôle d'entraînement :

Comme pour tous les moteurs V8 à gros bloc, le moteur ZZ454/440 possède une position de boulonnage d'épaulement de volant moteur de 90,9 mm (3,58 po). Ce moteur est pourvu d'une tôle d'entraînement d'un diamètre de 355,6 mm (14 po) avec couronne à 168 dents, numéro de pièce GM 10185034. Si l'application nécessite un volant moteur, le numéro de pièce GM 14096987 devrait être utilisé. Ce volant moteur est de 355,6 mm (14 po) de diamètre, se compose d'une couronne à 168 dents et doit être utilisé avec un embrayage d'un diamètre de 279,4 mm (11 po). Utiliser le boulon de volant moteur de numéro de pièce GM 12337973 (6 requis).

Roulement-guide :

On doit installer un roulement-guide derrière le vilebrequin si l'on prévoit utiliser le moteur conjointement avec une boîte manuelle. Le roulement-guide aligne l'arbre primaire de la boîte de vitesses avec l'axe central du vilebrequin. Un roulement-guide usé ou désaligné peut provoquer des anomalies de changement de vitesse et une usure rapide de l'embrayage. Un roulement-guide de numéro de pièce GM 14061685 est recommandé pour ce moteur. Ce roulement robuste ajoute une marge supplémentaire de fiabilité à une transmission haute performance.

Carter d'huile :

Le moteur ZZ454/440 comprend un carter d'huile, numéro de pièce GM 10240721. Ce carter d'une capacité de six pintes a été conçu à l'origine pour les applications marines et de camions et celui-ci peut causer des problèmes d'interférence lorsqu'il est installé dans certaines applications. Vérifier le jeu avant l'installation du moteur. Si le carter à six pintes ne peut être ajusté dans l'application, on recommande le numéro de pièce GM 12495360 comme substitut. Il s'agit d'un carter d'huile d'une capacité de quatre pintes, avec jauge à la droite; celui-ci est muni d'un joint d'étanchéité, de quatre boulons de bouchon principal, d'un tamis de pompe à huile, d'une jauge et d'un tube.

Collecteurs d'échappement tubulaires :

Un moteur ZZ454/440 devrait être muni d'un système d'échappement à collecteur d'échappement tubulaire pour offrir un rendement maximal dans les applications où un système d'échappement non-production est légal. Pour un rendement sur route et dans les applications de compétition limitée, la configuration conseillée du collecteur d'échappement tubulaire est de 50,8 mm (2 po) de diamètre pour les tuyaux primaires, d'une longueur de 914,4 mm (36 po), avec collecteurs de 88,9 mm (3,5 po). Utiliser des tuyaux arrière d'un diamètre de 76,2 mm (3 po) avec tube d'équilibrage (tuyau en «H») et des silencieux à faible restriction.

Cache-culbuteurs :

Le moteur ZZ454/440 est muni de cache-culbuteurs coulés, numéros de pièce GM 12553666 et 12553667. Des cache-culbuteurs longs et courts sont également disponibles. Aller sur le site Web www.GMPerformanceparts.com ou consulter le concessionnaire de GM Performance Parts de sa localité. Lorsque les cache-culbuteurs en aluminium moulé ou longs sont utilisés, s'assurer qu'il existe un jeu suffisant entre le cache-culbuteurs et le servo de freinage.

Liste de pièces de rechange ZZ454/440 :

N° de pièce	Quantité	Nom	N° de pièce	Quantité	Nom
6264902	1	Bague d'étanchéité de couvercle de palier de vilebrequin n° 5	12366988	8	Soupapes d'échappement
10181306	1	Palier supérieur/inférieur de vilebrequin n° 1	12495690	4	Joints d'étanchéité de tige de soupape
12529885	3	Palier supérieur/inférieur de vilebrequin N°s 2-3-4	12462970	4	Ressort de soupape extérieur/intérieur
10181307	1	Palier de butée supérieur/inférieur de vilebrequin	3947880	16	Verrous de soupape
14096983	1	Ens. de vilebrequin	3875916	8	Cale de ressort de soupape
10101164	1	Ensemble de bagues d'étanchéité arrière de vilebrequin	3921912	8	Goujon de culbuteur
14097040	1	Ens. de déflecteur d'huile de vilebrequin	3860038	4	Plaque-guide
10216339	1	Ens. d'amortisseur de vibrations	12555728	2	Joint d'étanchéité de culasse
10114166	1	Clavette d'amortisseur de vilebrequin	88960334	8	Boulon / vis de culasse (court)
10126796	1	Boulon / vis d'amortisseur du vilebrequin	88960333	16	Boulon / vis de culasse (long)
3864814	1	Rondelle d'amortisseur de vilebrequin	12484890	1	Ens. de pompe à eau
10185034	1	Ens. de volant moteur	3860039	2	Joint d'étanchéité de pompe à eau
3727207	6	Boulon / vis de volant moteur	3860039	2	Joint d'étanchéité de pompe à eau
10198922	8	Ensemble de bielle	12363420	1	Emb. de collecteur Int*Q- Jet Base No
10215228	8	Ensemble de piston std (avec axe)	12366985	1	Emb. de joint d'étanchéité de tubulure d'admission
14089095	8	Trousse de segments de piston	24502611	1	Ens. d'arbre à cames
10181277	16	Palier de bielle	12560176	1	Roue dentée d'arbre à cames
10240721	1	Carter d'huile	9424877	3	Boulon hexagonal
10106407	1	Joint de carter d'huile	12560177	1	Roue dentée de vilebrequin
12555167	1	Ens. de pompe à huile (avec tamis)	10114177	1	Ens. de chaîne de distribution
3998289	1	Arbre d'entraînement de pompe à huile	10227762	8	Ens. de tige-poussoir de soupape
3764554	1	Dispositif de retenue d'arbre d'entraînement de pompe à huile	10227763	8	Tige-poussoir de soupape d'échappement
10105879	2	Ergot d'arrêt de pompe à huile	17120061	16	Ens. de poussoir de soupape
10230954	1	Ens. de couvercle de distribution avant (avec ind. de distribution)	12551399	1	Dispositif de retenue de poussoir de soupape
10191640	1	Ens. de bagues d'étanchéité avant de vilebrequin	12562369	8	Guide de tige-poussoir de soupape
10198910	1	Joint d'étanchéité de couvercle de distribution avant	12553667	1	Ens. de culbuteurs
12498778	1	Moteur 454 partiel	12553666	1	Ens. de culbuteurs
12363392	2	Ens. de culasse (orifice ovale) avec soupape	12368082	16	Trousse de cache-culbuteurs (qté de 1)
12363399	1	Culasse	10114123	16	Boulon / vis de pivot de culbuteur
12366986	4	Soupapes d'admission	19145286	1	Bougie d'allumage

Especificaciones del motor ZZ454/440 (12498777)

Especificaciones del número de parte 19172103

Esta hoja de especificaciones del bloque largo ZZ454/440 se debe utilizar junto con la hoja de especificaciones del bloque corto 454, número de parte de GM 19172101.

Gracias por elegir GM Performance Parts como su proveedor de alto rendimiento. GM Performance Parts tiene el compromiso de brindar tecnología de alto desempeño innovadora comprobada que sea verdaderamente más que únicamente rendimiento. GM Performance Parts están diseñadas, desarrolladas y probadas para superar sus expectativas en cuanto a adaptación y funcionalidad. Consulte nuestro catálogo para conocer el Centro autorizado de GM Performance Parts más cercano a usted o visite nuestro sitio Web www.gmperformanceparts.com.

Esta publicación brinda información general sobre los componentes y procedimientos que pueden ser útiles al instalar o dar servicio a un motor ZZ454/440. Lea toda la documentación antes de empezar a trabajar. Verifique también que todos los componentes enumerados en la sección Contenido del paquete que se encuentra a continuación, se hayan enviado con el kit.

La siguiente información se divide en las siguientes secciones: Contenido del paquete, especificaciones de torque de afianzador del motor, información de componentes, procedimientos de arranque e interrupción, especificaciones del motor ZZ454/440, partes adicionales que posiblemente deba comprar y lista de partes de servicio.

El motor base ZZ454/440 es un bloque largo completamente ensamblado. Este motor se ensambla utilizando componentes nuevos de primera calidad. El motor ZZ454/440 está fabricado con mecanismos de producción actuales, por consiguiente puede encontrar diferencias entre el ensamble del motor ZZ454/440 y versiones anteriores del V8 de bloque grande. En general, los artículos como soportes del motor, transmisiones auxiliares, distribuidores de escape, etc. se pueden transferir a un motor ZZ454/440 cuando se instalan en un vehículo originalmente equipado con un motor V8 de bloque grande. Sin embargo, según se indicó en las secciones siguientes, es posible que haya diferencias significativas en la bomba de agua, amortiguador de torsión, etc., entre un motor ZZ454/440 y un motor V8 de bloque grande más antiguo. Estas diferencias pueden requerir modificaciones o componentes adicionales que no se incluyen con el motor ZZ454/440. Cuando instale el motor ZZ454/440 en un vehículo que no está equipado originalmente con un V8 de bloque grande, puede ser necesario adaptarle o fabricar varios componentes para los sistemas de enfriamiento, combustible, eléctrico y de escape. Debido a la amplia variedad de vehículos en los que se puede instalar un motor ZZ454/440, es probable que algunos procedimientos y recomendaciones no apliquen a las aplicaciones específicas.

Estas especificaciones no pretenden reemplazar las completas y detalladas prácticas de servicio que se describen en los manuales de servicio de GM.

Para obtener información acerca de la cobertura de la garantía, comuníquese con su distribuidor local de GM Performance Parts.

Observe todas las advertencias y precauciones de seguridad que se encuentran en los manuales de servicio cuando instale un motor ZZ454/440 en cualquier vehículo. Utilice protección para los ojos y ropa protectora apropiada. Sostenga el vehículo de manera segura con soportes de gato cuando trabaje debajo o alrededor del mismo. Utilice únicamente las herramientas adecuadas. Tenga mucho cuidado cuando esté trabajando con materiales y líquidos inflamables, corrosivos y peligrosos. Algunos procedimientos necesitan de destrezas o equipo especial. Si no tiene las herramientas, experiencia y capacitación adecuadas para realizar alguna parte de la instalación de manera segura, este trabajo lo debe realizar un profesional.

TITLE 454 Short Block Specifications	REV 15JA08	PART NO. 19172103	PAGE 15 OF 21
---	-------------------	--------------------------	----------------------

ALL INFORMATION WITHIN ABOVE BORDER TO BE PRINTED EXACTLY AS SHOWN ON 8 1/2 x 11 WHITE 16 POUND BOND PAPER. PRINT ON BOTH SIDES, EXCLUDING TEMPLATES. TO BE UNITIZED IN ACCORDANCE WITH GMSPO SPECIFICATIONS.	DATE	REVISION	AUTH

La información que se encuentra en esta publicación se presenta sin ninguna garantía. El usuario asume en su totalidad los riesgos derivados del uso del mismo. La habilidad de los lectores individuales, los procedimientos mecánicos y el diseño de componentes específicos van más allá del control del editor y, por lo tanto, el editor renuncia a toda responsabilidad incurrida relacionada con el uso de la información que se proporciona en esta publicación.

Información legal y sobre emisiones

El objetivo de esta publicación es proporcionar información acerca del motor ZZ454/440 y componentes relacionados. Este manual también describe los procedimientos y las modificaciones que podrían ser útiles durante la instalación de un motor ZZ454/440. No pretende reemplazar los manuales de servicio completo y los catálogos de partes que abarcan los componentes y motores de General Motors. Más bien está diseñado para proporcionar información adicional en las áreas de interés para los entusiastas y mecánicos de "Hágalo usted mismo".

Esta publicación corresponde a los motores y vehículos que no se utilizan en autopistas públicas excepto donde se haya observado específicamente. La ley federal prohíbe la desinstalación de algunas partes del sistema de control de emisiones que son requeridas federalmente en los vehículos motorizados. Además, en varios estados hay decretos ley que prohíben alterar o modificar los sistemas de control de ruido o emisiones necesarios. Los vehículos que no son para uso en autopistas públicas, por lo general están exentos de la mayoría de normas, al igual que algunos vehículos están exentos de intereses especiales y regulaciones de emisiones previas. Se recomienda encarecidamente al lector a que revise todas las leyes estatales y locales aplicables.

Muchas de las partes descritas o enumeradas en este manual se comercializan sólo para la aplicación fuera de autopistas y están etiquetadas con el "Aviso de partes especiales" que se muestra a continuación:

Aviso de partes especiales

Esta parte se diseñó específicamente para la aplicación fuera de autopista. Ya que la instalación de esta parte puede perjudicar el funcionamiento de control de emisiones de su vehículo o no estar certificada bajo los estándares de seguridad de automotores, no se debe instalar en un vehículo para uso en calles o autopistas. Además, cualquier aplicación similar podría afectar adversamente la cobertura de la garantía de un vehículo para uso en calles o autopista.

Chevrolet, Chevy, el emblema de corbatín de Chevrolet, General Motors y GM son todas marcas comerciales registradas de General Motors Corporation.

Contenido del paquete:

<u>Artículo</u>	<u>Descripción</u>	<u>Cantidad</u>	<u>Número de parte</u>
1	Ensamble del motor base	1	12496963
2	Instrucciones del bloque corto	1	19172101
3	Instrucciones del bloque largo	1	19172103

Especificaciones de torque del motor ZZ454/440:

Tornillo/perno de la culata de cilindros	Pernos largos/cortos
Primer apriete	25/20 pies-lb/34/27 N·m
Segundo apriete	50/40 pies-lb/68/54 N·m
Apretado final	75/65 pies-lb/102/88 N·m
Perno/tornillo del distribuidor	18 pies-lb/25 Nm
Tapón de la galería de aceite del bloque del motor:	15 pies-lb/20 Nm
Tornillo/perno de la cubierta delantera del motor	106 pulgadas lb/12 Nm
Perno/tornillo del volante	65 pies-lb/90 Nm
Tornillo/perno del distribuidor de admisión	
Primer apriete	10 pies -lb/14 N·m
Segundo apriete	25 pies lb/34 N·m
Tornillo/perno del adaptador del filtro de aceite	18 pies-lb/25 Nm
Tornillo/perno del tubo indicador de nivel de aceite	106 pulgadas lb/12 Nm
Tornillo/perno del ensamble del cárter de aceite	18 pies-lb/25 Nm
Tuerca del deflector de aceite	30 pies-lb/40 N·m
Tapón de drenaje del cárter de aceite	15 pies- lb/20 Nm
Tornillo/perno de la bomba de aceite a la tapa del cojinete del cigüeñal trasero	66 pies-lb/90 N·m
Tornillo/perno de la cubierta de la bomba de aceite	106 pulgadas lb/12 Nm
Bujía	22 pies-lb/30 N·m
Tornillo/perno del motor de arranque	35 pies-lb/48 N·m
Tornillo/perno del retenedor de la guía del elevador de la válvula	18 pies-lb/25 Nm
Tornillo/perno de la bomba de agua	30 pies-lb/40 N·m

Nota: Estos valores de torque son adicionales a los que se mencionan en las instrucciones del bloque corto.

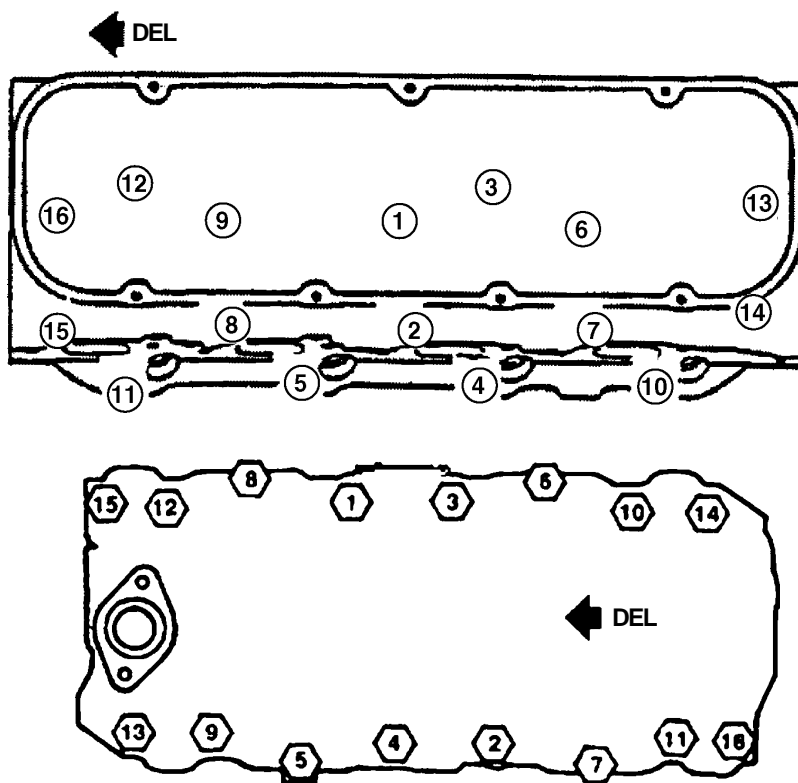
Información del componente:

Culatas de cilindros:

El motor base ZZ454/440 viene con culatas de cilindros completamente ensambladas, número de parte de GM 12363392. Estas culatas de cilindro son de aluminio, culatas de puerto ovalado con cámaras de combustión de 110cc, válvulas de admisión de acero inoxidable de 2.19" y válvulas de escape de acero inoxidable de 1.88".

Instalación de culata de cilindros:

La instalación es igual que las culatas de cilindros del equipo original. Asegúrese de limpiar completamente la superficie del bloque y la superficie de la culata de cilindros antes de la instalación. Aplique teflón líquido a todos los pernos de la culata que sobresalgan de los conductos del refrigerante. Apriete los pernos alternamente según la secuencia y el patrón que se muestran a continuación. Aplique torque en incrementos de 25 pies-lb dos veces y la tercera vez de acuerdo con la especificación de apriete final. Se recomienda volver a apretar los pernos de la culata de cilindros después de poner a funcionar el ciclo de calentamiento del motor.



Precaución:

Este ensamble del motor se debe llenar con aceite y luego imprimir. Debe agregar el aceite especificado (consulte las instrucciones de arranque) para su nuevo motor. Revise el nivel de aceite del motor en la varilla de medición y agregue lo necesario.

Procedimientos de arranque e interrupción

1. Después de instalar el motor, asegúrese de que el cárter del cigüeñal se ha llenado con aceite para motor 5W30 (no sintético) al nivel de llenado recomendado en la varilla de medición. Además, revise y llene según se requiera, cualquier otro líquido necesario, como refrigerante, líquido para dirección hidráulica, etc.
2. El motor se debe imprimir con aceite, antes de arrancar. Siga las instrucciones que vienen con la herramienta. Para imprimir el motor, primero desinstale el distribuidor para obtener acceso al eje impulsor de la bomba de aceite. Observe la posición del distribuidor antes de la desinstalación. Instale la herramienta de imprimación del aceite, número de parte de GM 12368084. Utilice un barreno de 1/2" para girar la herramienta de imprimación de aceite para motores hacia la derecha por tres minutos. Mientras imprime el motor, pídale a alguien que gire el cigüeñal a la derecha para suministrar aceite a través del motor y a todas las superficies del cojinete antes que el motor arranque por primera vez. Esta es la manera segura para que los cojinetes obtengan aceite, antes de arrancar el motor la primera vez. Además, imprime el motor si éste se ha quedado estacionado por mucho tiempo. Vuelva a instalar el distribuidor en la misma orientación de la que se desinstaló.
3. Primero está la seguridad. Si el vehículo está estacionado, asegúrese de que el freno de emergencia esté aplicado y que las ruedas tengan cuñas para que el vehículo no se mueva. Verifique que todo esté debidamente instalado y que no falte nada.
4. Arranque el motor y ajuste la regulación inicial. Si utiliza el distribuidor HEI, número de parte 93440806, establezca la regulación de ignición en 4° antes de que alcance el punto muerto de ignición (BTDC) a 650 rpm con la línea de avance de vacío al distribuidor desconectada y tapada. Esta configuración producirá 26° de avance total en acelerador abierto (WOT) cuando utiliza el distribuidor número de parte HEI 93440806. El depósito de avance de vacío HEI debe permanecer desconectado. Este motor está diseñado para funcionar utilizando únicamente el avance centrífugo interno para alcanzar la curva de regulación correcta. Gire el distribuidor a la izquierda para que la regulación avance. Gire el distribuidor a la derecha para retrasar la regulación.

5. Cuando sea posible, deberá dejar que el motor se caliente antes de conducir. Es una buena práctica dejar que la temperatura del cárter de aceite y del agua alcance los 82°C (180°F) antes de remolcar cargas pesadas o acelerar fuertemente.
6. Una vez que el motor esté caliente, revise dos veces que la regulación de avance total sea 26° a 4000 RPM si utiliza el distribuidor HEI P/N 93440806.
7. El motor se debe conducir en condiciones y cargas variables durante las primeras 30 millas o una hora sin el acelerador abierto (WOT) o a aceleraciones continuas a altas RPM.
8. Realice cinco o seis aceleraciones con el acelerador hasta la mitad (50%) a aproximadamente 4000 RPM y otra vez a ralentí (acelerador en 0%).
9. Realice dos o tres aceleraciones fuertes (WOT 100%) a aproximadamente 4000 RPM y otra vez a ralentí (acelerador en 0%).
10. Cambie el aceite y el filtro. Reemplace con aceite de motor 5W30 (no sintético) y un filtro de aceite PF1218 AC Delco. Inspeccione si el aceite y el filtro de aceite tienen partículas extrañas para asegurarse de que el motor funcione correctamente.
11. Conduzca las siguientes 500 millas bajo condiciones normales o en 12 a 15 horas del motor. No ponga a funcionar el motor a su máxima capacidad de velocidad. Además, no exponga el motor a períodos prolongados de carga alta.
12. Cambie el aceite y el filtro. Inspeccione de nuevo si el aceite y el filtro de aceite tienen partículas extrañas para asegurarse de que el motor esté funcionando correctamente.
13. No utilice aceite sintético para la interrupción. Después del segundo cambio de aceite recomendado y la acumulación de millas, será adecuado utilizar aceite sintético de motor. En regiones más frías, un aceite con poca viscosidad puede requerir mejores características de flujo.

Especificaciones del motor ZZ454/440:

Compresión 9.6:1
 Culata de cilindros: Aluminio fundido, puerto ovalado
 Diámetro de la válvula (admisión/escape): 2.19"/1.88"
 Volumen de la cámara: 110cc
 Árbol de levas: Alzaválvulas de rodillo hidráulicas
 Elevación:510" admisión, .540" escape
 Duración: 211(admisión, 230(escape @ .050" elevador de alzaválvulas
 Línea central: 112 (ATDC admisión, 112 (BTDC escape
 Relación del balancín: 1.7:1, acero
 Presión de aceite (mínima): 6 psig a 1000 RPM
 18 psig a 2000 RPM
 24 psig a 4000 RPM
 Aceite recomendado: Aceite sintético 5W30 para carreras (después de interrupción)
 Filtro de aceite: No. de parte AC Delco - PF 1218
 Juego de válvula 1/8 de giro hacia abajo desde 0
 Combustible: Premium sin plomo - 92 (R+ M/2)
 Velocidad máxima del motor: 5500 RPM
 Bujías: AC Delco Rapidfire No. 4
 Separación entre bujías040"
 Orden de explosión: 1-8-4-3-6-5-7-2

La información puede variar con la aplicación. Todas las especificaciones enumeradas se basan en la información de producción más reciente, disponible al momento de la impresión.

Es posible que necesite partes adicionales:

Volante del motor:

Como todos los motores V8 de bloque grande, el motor ZZ454/440 tiene un patrón de perno de brida de volante de 3.58" de diámetro. Este motor está equipado con un volante de 14" de diámetro con un engranaje anular de 168 dientes, Número de parte de GM 10185034. Si su aplicación necesita un volante debe utilizar el número de parte de GM 14096987. Este volante tiene 14" de diámetro, engranaje anular de 168 dientes y es para un embrague de 11" de diámetro. Utilice el perno para volante número de parte de GM 12337973 (necesitará 6).

Cojinete guía:

Deberá instalar un cojinete guía en la parte trasera del cigüeñal si el motor se va a utilizar con una transmisión manual. El cojinete guía alinea el eje de entrada de la transmisión con la línea central del cigüeñal. Un cojinete guía desalineado o desgastado podría ocasionar problemas de cambio y desgaste acelerado del embrague. Se recomienda un cojinete guía de rodillo, número de parte GM 14061685 para este motor. Este cojinete para trabajo pesado agrega un margen adicional de confiabilidad a un tren motriz de alto rendimiento.

Cárter de aceite:

El motor ZZ454/440 incluye cárter de aceite, número de parte de GM 10240721. Este cárter de seis cuartos se diseñó originalmente para uso marino y de camiones y puede ocasionar problemas de interferencia cuando se instala en algunas aplicaciones. Revise el espacio antes de la instalación del motor. Si el cárter de seis cuartos no cabe en su aplicación, se recomienda que lo sustituya por el número de parte de GM 12495360. Éste es un cárter de aceite de cuatro cuartos, con varilla medidora a la derecha y que incluye empaque, cuatro pernos ciegos principales, filtro de bomba de aceite, varilla medidora y tubo.

Múltiple de escape:

Un motor ZZ454/440 debe estar equipado con un sistema de escape de culata para rendimiento máximo en aplicaciones donde un sistema de escape de no producción es legal. Para rendimiento en la calle y aplicaciones limitadas de competencia, la configuración recomendada para múltiple de escape es de tubos primarios de 2" de diámetro, de 36 pulgadas de largo con colectores de 3 1/2" de diámetro. Utilice tubos de escape de 3" de diámetro con un tubo de balance (tubo en "H") y silenciadores de restricciones bajas.

Cubiertas del balancín:

El motor ZZ454/440 viene equipado con cubiertas de balancín de aluminio fundido, número de parte de GM 12553666 y 12553667. Las cubiertas para válvula larga y corta están disponibles. Consulte el sitio web en www.GMPerformanceparts.com o al distribuidor de GM Performance Parts de su localidad. Cuando utiliza ya sea las cubiertas de balancín cromadas altas o las de aluminio fundido, asegúrese de que haya suficiente espacio entre la cubierta y el reforzador del freno.

TITLE 454 Short Block Specifications	REV 15JA08	PART NO. 19172103	PAGE 20 OF 21
---	-------------------	--------------------------	-----------------------------

ALL INFORMATION WITHIN ABOVE BORDER TO BE PRINTED EXACTLY AS SHOWN ON 8 1/2 x 11 WHITE 16 POUND BOND PAPER. PRINT ON BOTH SIDES, EXCLUDING TEMPLATES. TO BE UNITIZED IN ACCORDANCE WITH GMSPO SPECIFICATIONS.	DATE	REVISION	AUTH

Lista de partes de servicio ZZ454/440:

<u>No. de parte</u>	<u>Cantidad</u>	<u>Nombre</u>	<u>No. de parte</u>	<u>Cantidad</u>	<u>Nombre</u>
6264902	1	Sello, aceite de tapa del cojinete No.5 del cigüeñal	12366988	8	Válvulas de escape
10181306	1	Cojinete, cigüeñal inferior/superior No.1	12495690	4	Sello del vástago de la válvula
12529885	3	Cojinete, cigüeñal inferior/superior No.2, 3, 4	12462970	4	Resorte de la válvula interior/exterior
10181307	1	Cojinete, empuje del cigüeñal inferior/superior	3947880	16	Bloqueos de las válvulas
14096983	1	Ensamble del cigüeñal	3875916	8	Laminilla del resorte de la válvula
10101164	1	Ensamble del sello, aceite trasero del cigüeñal	3921912	8	Espárrago del balancín
14097040	1	Ensamble del deflector, aceite del cigüeñal	3860038	4	Placa guía
10216339	1	Ensamble del balanceador, cigüeñal	12555728	2	Empaques, culata de cilindros
10114166	1	Llave, balanceador del cigüeñal	88960334	8	Pernos/tornillos, culata de cilindros (cortos)
10126796	1	Perno/tornillo, balanceador del cigüeñal	88960333	16	Pernos/tornillos, culata de cilindros (largos)
3864814	1	Arandela, balanceador del cigüeñal	12484890	1	Ensamble de bomba, agua
10185034	1	Ensamble del volante	3860039	2	Empaque, con bomba
3727207	6	Perno/tornillo, volante	3860039	2	Empaque, con bomba
10198922	8	Ensamblados de bielas	12363420	1	Paquete del distribuidor, No de base Q-Jet int*
10215228	8	Ensamblados de pistones, estándar (con pasador)	12366985	1	Paquete de empaques, distribuidor de admisión
14089095	8	Kit de anillos, pistón	24502611	1	Ensamble del árbol de levas
10181277	16	Cojinete, biela	12560176	1	Rueda dentada, árbol de levas
10240721	1	Ensamble del cárter, aceite	9424877	3	Perno hexagonal
10106407	1	Empaque, cárter de aceite	12560177	1	Rueda dentada, cigüeñal
12555167	1	Ensamble de bomba de aceite (con filtro)	10114177	1	Ensamble de cadena, tiempo
3998289	1	Eje, transmisión bomba de aceite	10227762	8	Ensamble de la varilla, empujadora de la válvula
3764554	1	Retenedor, eje de transmisión de la bomba de aceite	10227763	8	Varillas, empujadoras de válvula de escape
10105879	2	Pasador bloqueo de la bomba aceite	17120061	16	Ensamblados de elevadores, válvula
10230954	1	Ensamble de cubierta, delantera del motor (con indicador de regulación)	12551399	1	Retenedor, elevador de válvula
10191640	1	Ensamble del sello, aceite delantero del cigüeñal	12562369	8	Guías, varilla empujadora del elevador de válvula
10198910	1	Empaque, cubierta delantera del motor	12553667	1	Ensamble de la cubierta, balancín de la válvula
12498778	1	Ensamble del motor 454, parcial	12553666	1	Ensamble de la cubierta, balancín de la válvula
12363392	2	Ensamble de la culata, cilindros (puerto ovalado) con válvula	12368082	16	Kit del balancín de la válvula (cantidad 1)
12363399	1	Culata de cilindros	10114123	16	Pernos/tornillos, pivote del balancín de la válvula
12366986	4	Válvulas de admisión	19145286	1	Bujía

DATE	REVISION	AUTH