



RHINO-RACK®

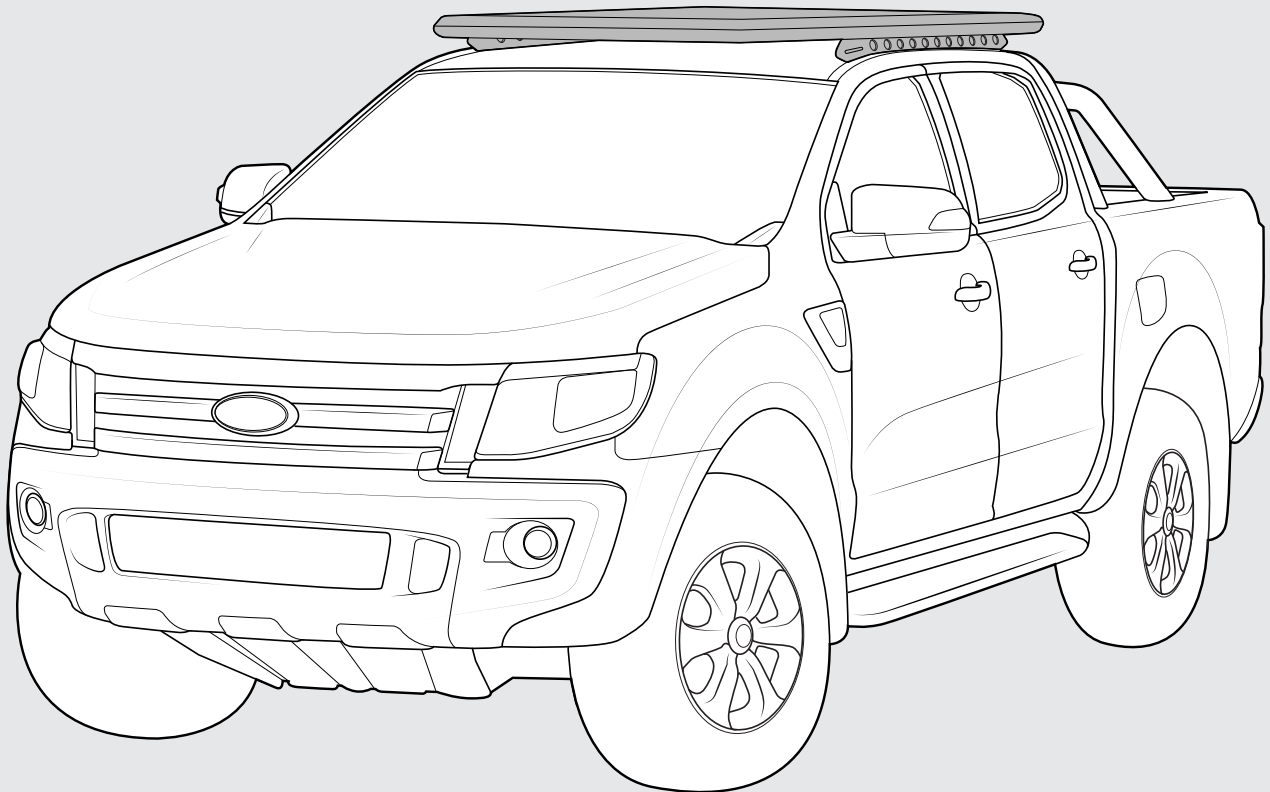
FORD Ranger PX / MAZDA BT-50 Gen 2

RFRB1

Important:

1. Check the Rhino-Rack website to ensure you have the latest issue of these instructions.
2. Please refer to your fitting instruction to ensure that the roof racks are installed in the correct locations.
3. Check the contents of kit before commencing fitment and report any discrepancies.
4. Place these instructions in the vehicle's glove box after installation is complete.
5. These instructions must be followed for warranty to be upheld.

Fit Time: 1 hour



FORD RANGER SHOWN
ALSO COMPATIBLE WITH
MAZDA BT-50 GEN2

Rhino-Rack AUSTRALIA
22A Hanson Pl,
Eastern Creek, NSW, 2766
(02) 8846 1900
rhinorack.com.au

Rhino-Rack USA
Unit D, 2450 Airport Blvd,
Aurora, CO, 80011
877-744-6622
rhinorack.com

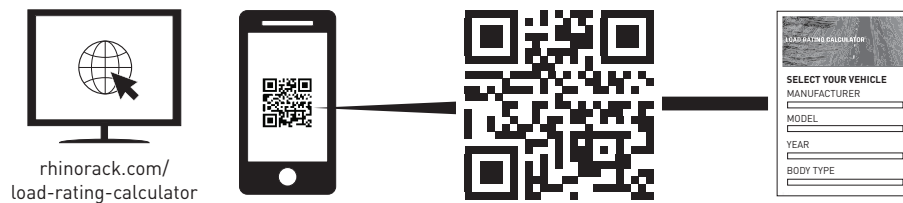
Rhino-Rack CANADA
19100 Airport Way
Pitt Meadows, BC V3Y OE2
rhinorack.ca

Document No: R1071
Issue No: 08
Issue Date: 13/09/2021

RFRB1 Backbone Instructions

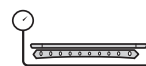
Carrying Capacity

Check the website and the vehicle owners hand book for your vehicle manufacturer's maximum carrying capacity. Load must be evenly distributed over the system.



Cargo Load Limit

Total permissible weight allowed on top, and attached to the rack whilst the vehicle is in motion.



System Weight

Total weight of the rack system. (e.g. Crossbars, Backbone, Platform)



Max System Load Capacity

Please ensure you use the vehicle manufacturer's maximum roof allowance if it is lower than the figure listed in the fitting chart/supplement.



Vehicle Manufacturer's Load Limit

Total permissible weight attached to the rack. This is inclusive of the weight of the rack system.

Warning

- Check part number or kit is correct for use with your vehicle.
- Do not attempt to fit the rack system to your vehicle unless you fully understand these fitting instructions. Please direct any questions regarding fitting to the dealer from where the roof racks were purchased.
- Off-road conditions can be much more rigorous. Extreme care must be taken on any driven path that does not contain a surface protection layer (tar/bitumen).
- Racks must be removed when vehicle is put through an automatic car wash.
- With utility/pick up vehicles, the cabin and the utility tray/truck bed move independently. Racks and vehicle can be damaged if the item transported is rigidly fixed at points on both the cabin and utility tray/truck bed. Instead, rigidly fix to either the utility tray/bed racks or the canopy roof racks.
- Always ensure you fasten your load securely.
- Use only non-stretch fastening ropes or straps to attach cargo to your load.

In service maintenance checks

- All bolt connections should be checked after driving a short distance when you first install your roof racks.
- All bolted connections should be checked again at regular intervals (weekly is recommended, depending on road conditions, usage, loads and distances travelled).
- All bolted connections should be checked each time they are re-fitted.
- Off-road conditions are more rigorous. Check all bolted connections and your load more regularly.
- Ensure that your vehicle manufacturer's GVM, and gross axle weights are not exceeded (refer to vehicle owner's manual).

Torque Settings

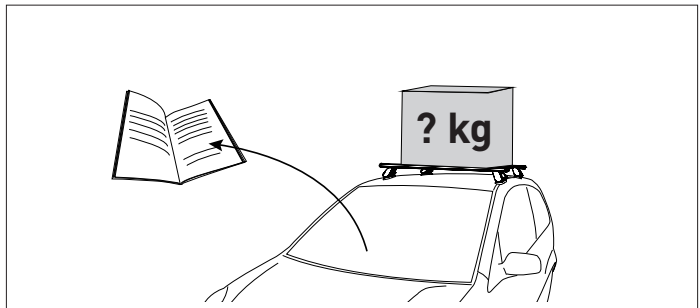
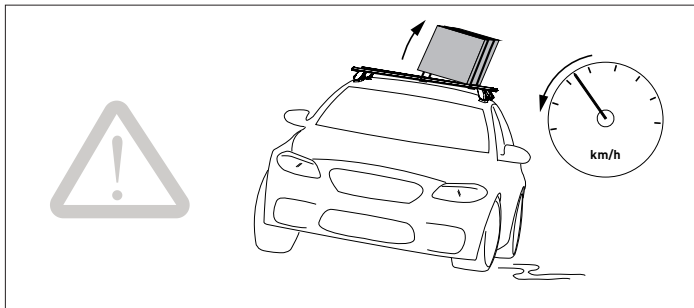
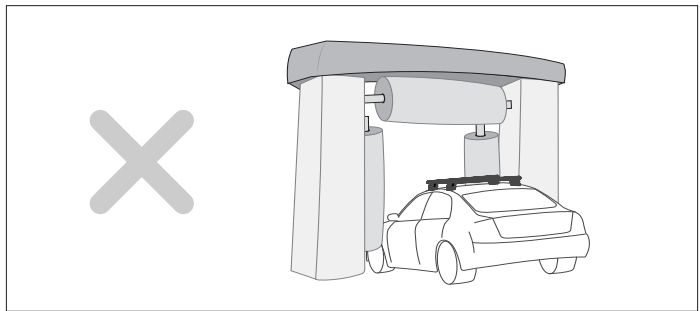
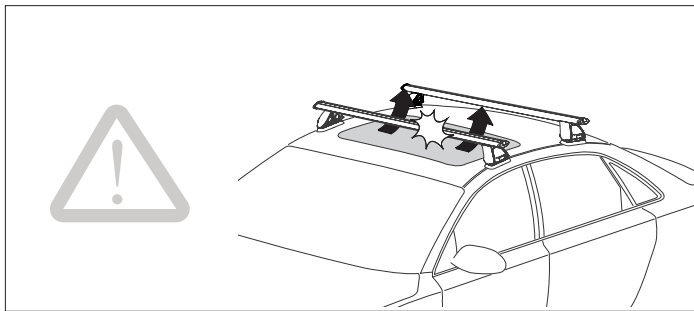
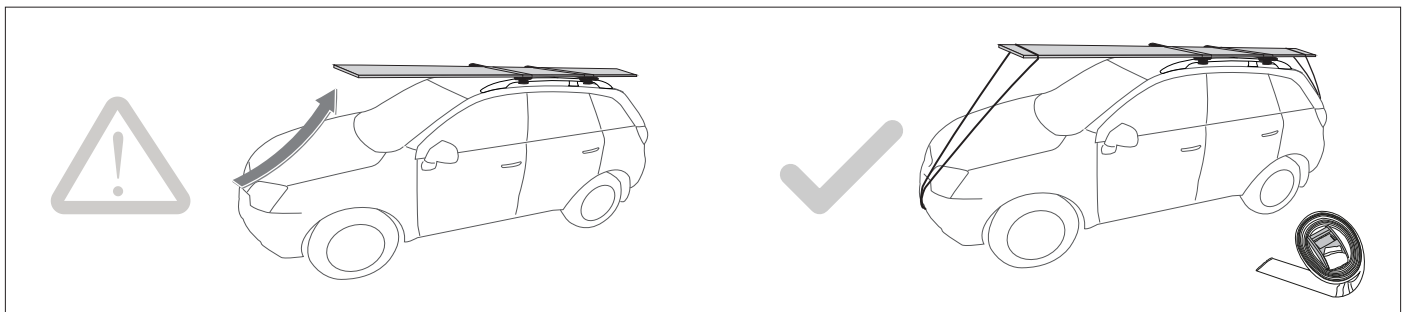
Unless stated otherwise in these instructions, all fasteners should be set to the following torque settings:

- M6: 4-5Nm (3-4lbs/ft),
- M8: 8-10Nm (6-7.5lbs/ft)
- M10: 16-18Nm (12-13lbs/ft).

Note for Dealers and Fitters

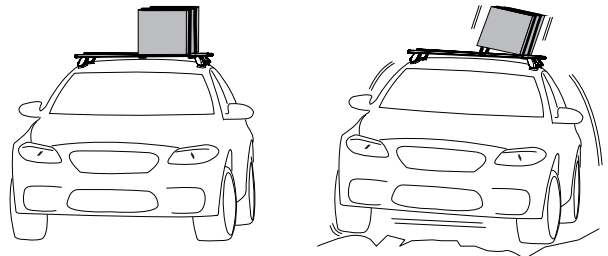
It is your responsibility to ensure these fitting instructions are given to the end user or client. These instructions remain the property of Rhino-Rack Australia Pty. Ltd. and may not be used or changed for any other purpose than intended.

RFRB1 Backbone Instructions

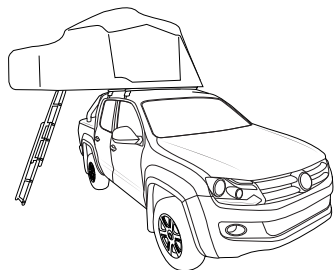


The handling characteristics of the vehicle changes when a load is transported on the roof. Exercise extreme care when transporting wind-resistant loads. Special consideration must be taken when cornering and braking.

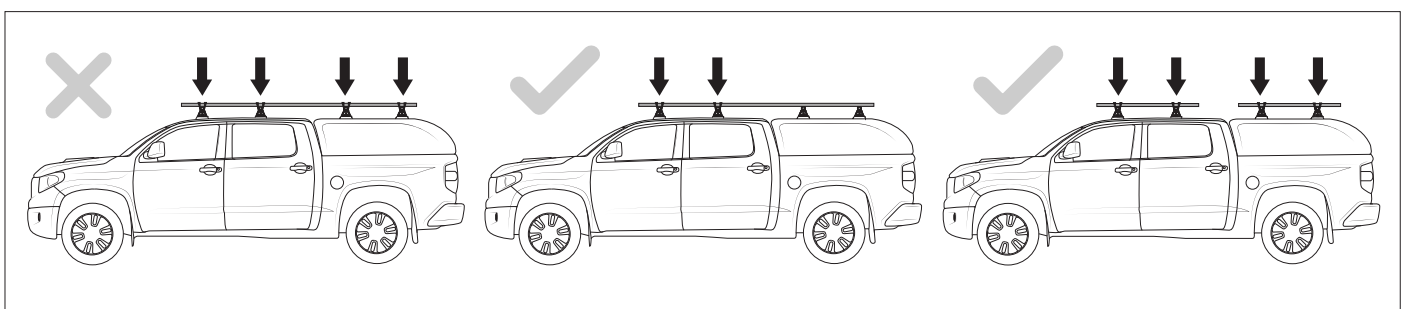
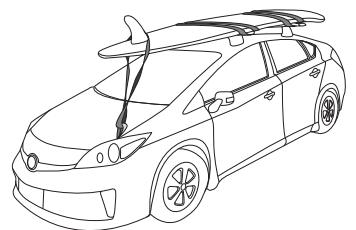
Off-road conditions can be much more rigorous. Extreme care must be taken in off-road conditions.



Ensure Ladder is well supported on the ground to support tent. Take extreme caution when climbing heights above 1.2m/4ft.

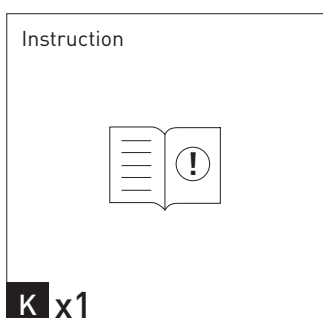
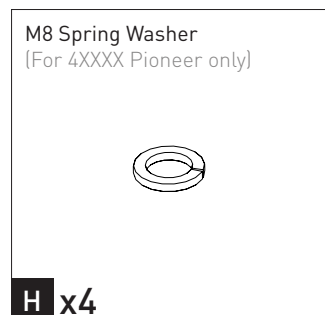
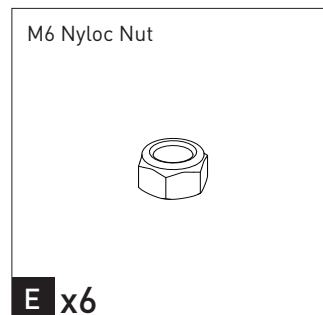
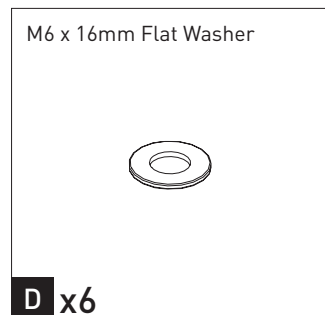
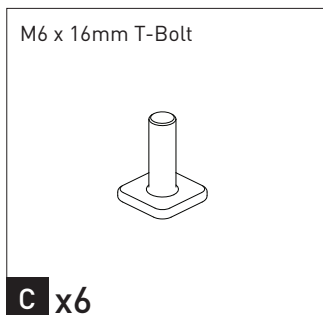
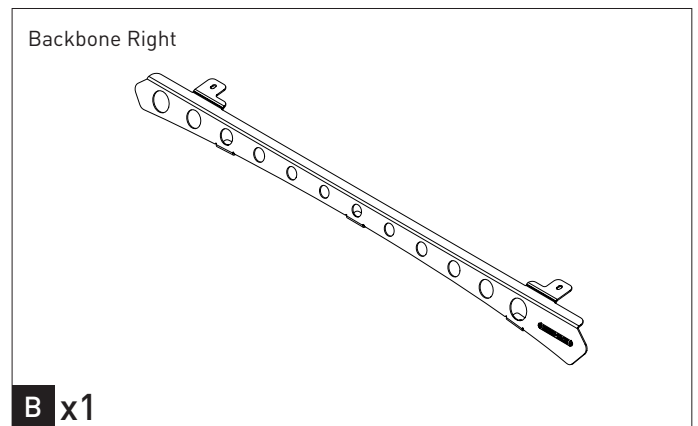
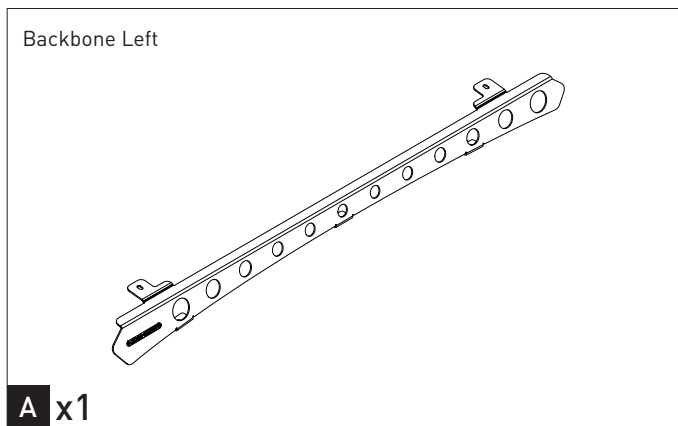


Paddle/ Surfboards should be fixed to the front of the vehicle.



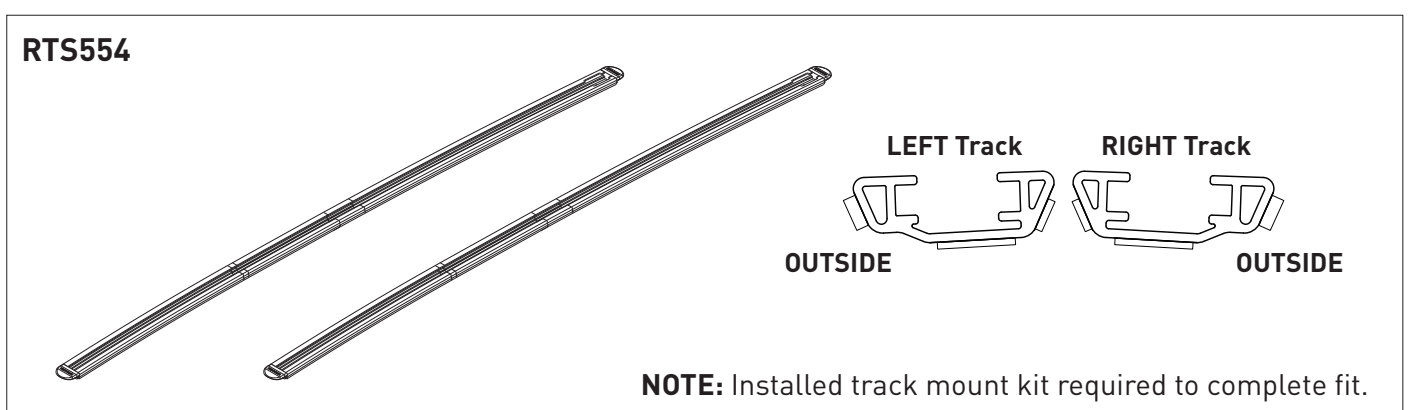
RFRB1 Backbone Instructions

Parts List

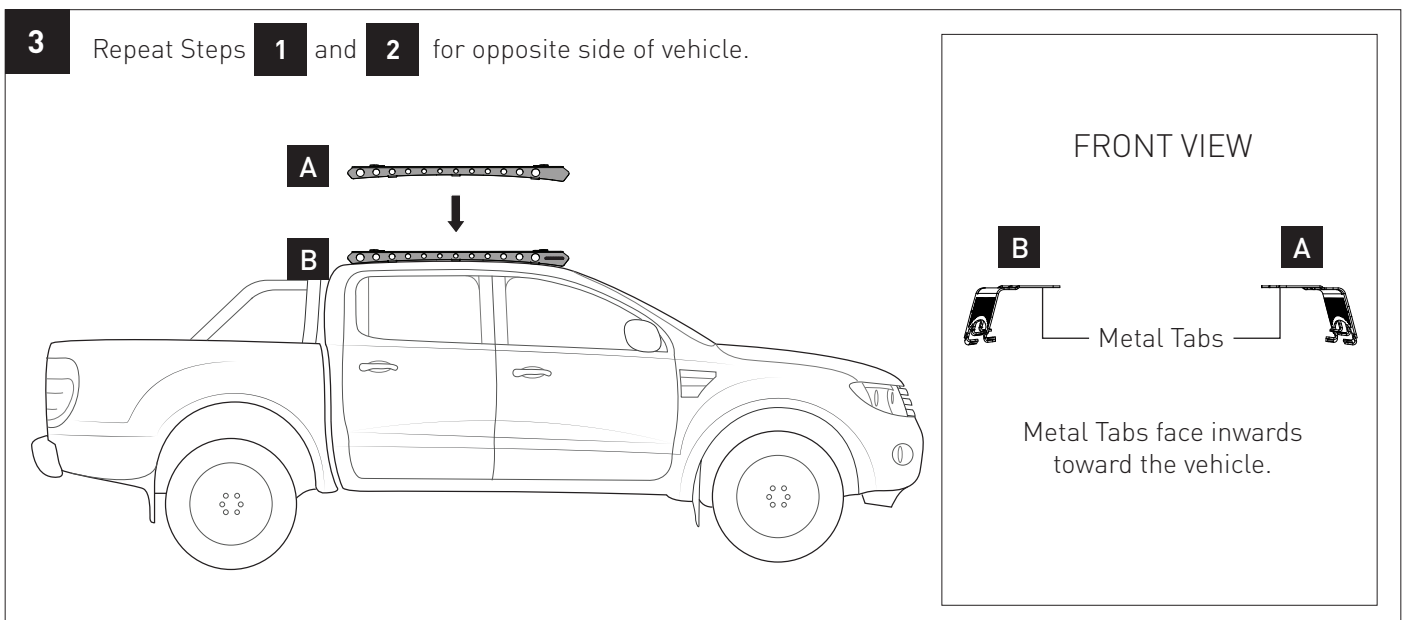
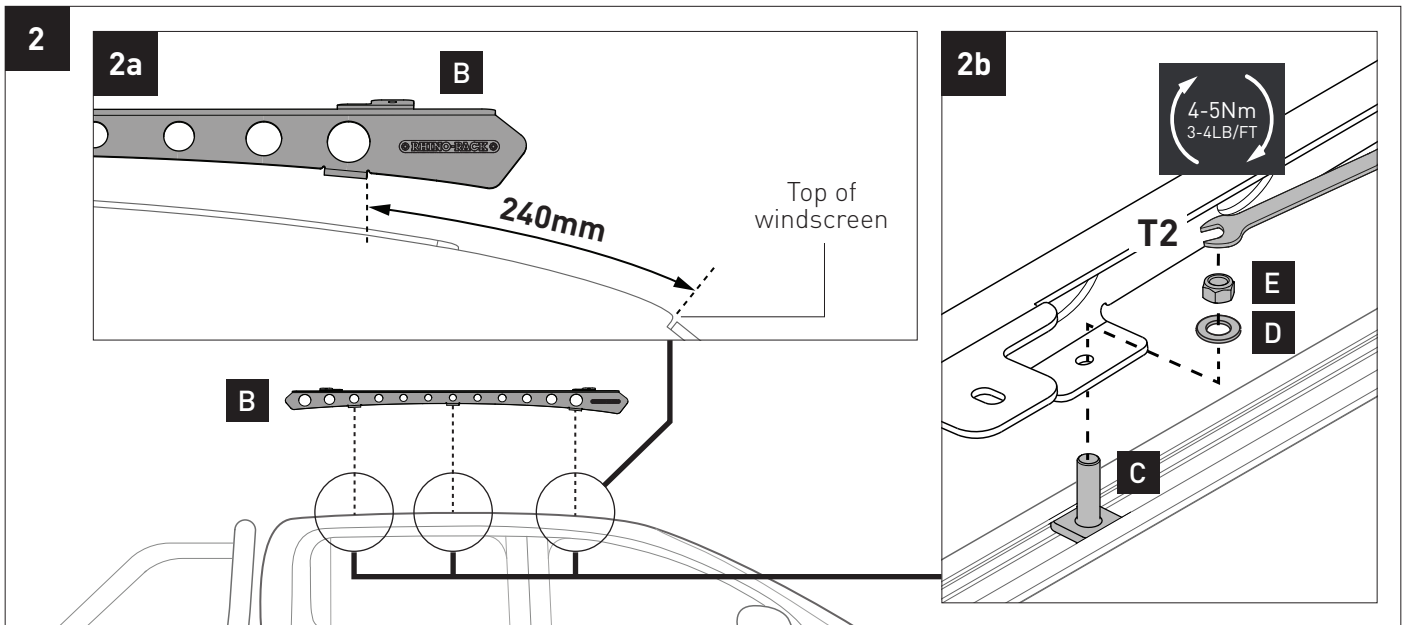
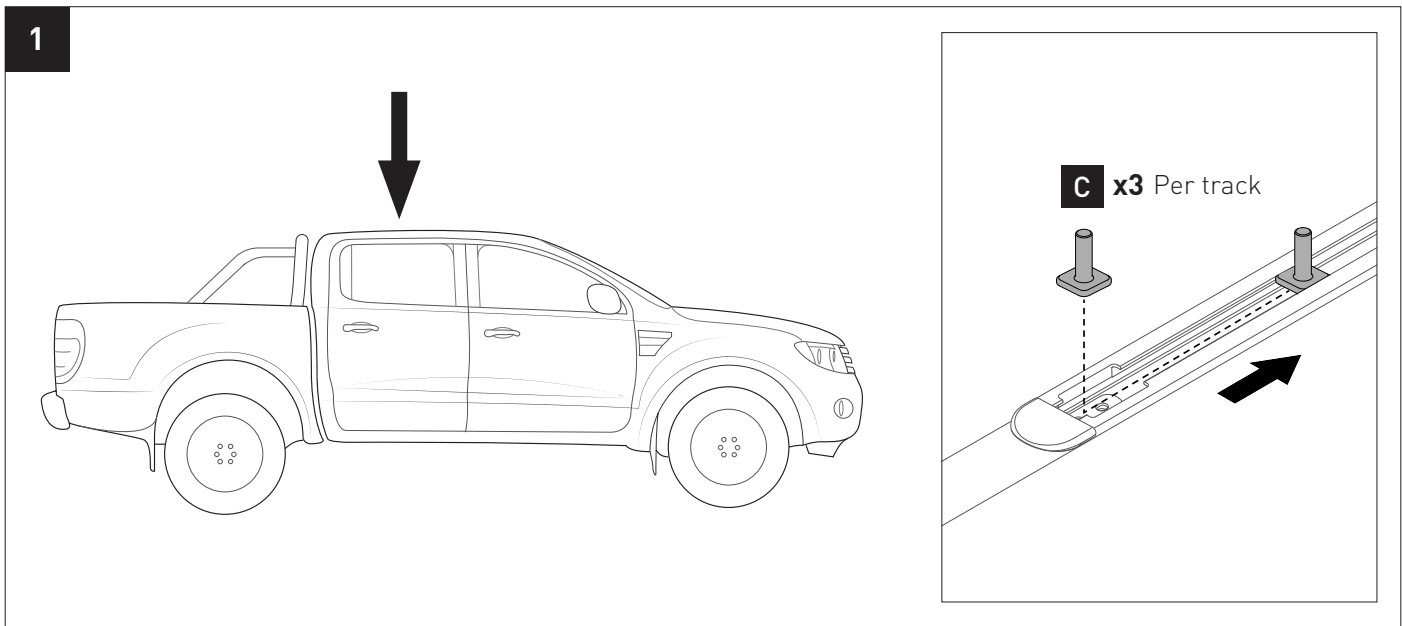


Tools Required:

- T1 - 13mm Socket Wrench/ Spanner
- T2 - 10mm Socket Wrench/ Spanner
- T3 - Power Drill (4XXXX Series Pioneers only)
- T4 - 8.5mm Drill Bit (4XXXX Series Pioneers only)



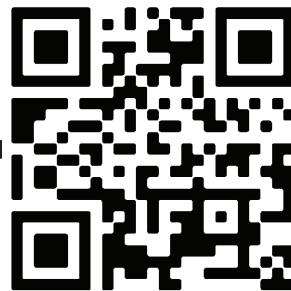
RFRB1 Backbone Instructions



4 PLATFORM INSTALLATION



rhinorack.com/roof



EXAMPLE ONLY

RHINO-RACK | PIONEER VEHICLE FITTING INFORMATION

VEHICLE	YEAR	MAKE	MODEL
2015	2016	2017	2018
2019	2020	2021	2022
2023	2024	2025	2026
2027	2028	2029	2030

NOTE: THE ONLINE LOAD LIMIT IS BASED ON THE CURRENT LOAD LIMIT.

USE THE VEHICLE MANUFACTURER'S RECOMMENDED ROOF LOAD LIMIT IF IT IS LOWER THAN THE FRAME LIMIT.

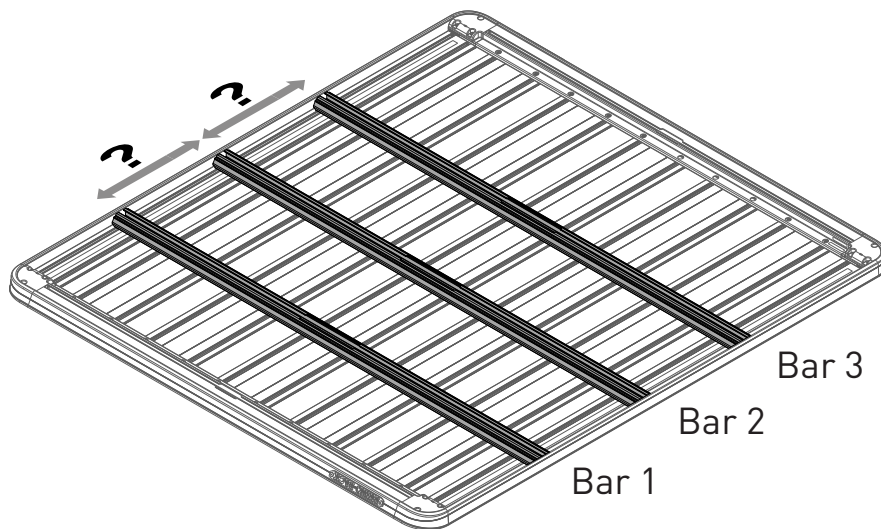
UNWEIGHTED LOAD LIMIT: UP TO 96 Kg (212 lbs) + 24 Kg (53 lbs) = UP TO 120 Kg (265 lbs)

VEHICLE MANUFACTURER'S ROOF LOAD LIMIT

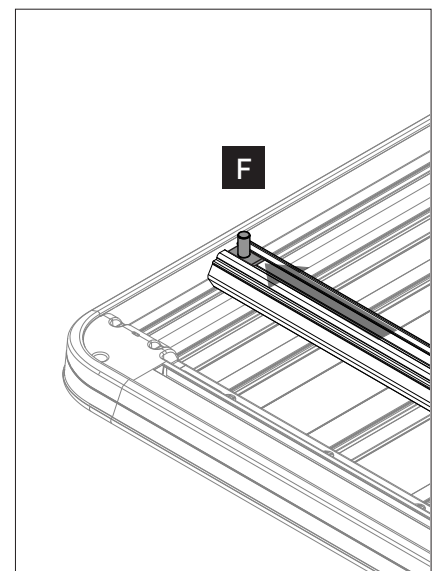
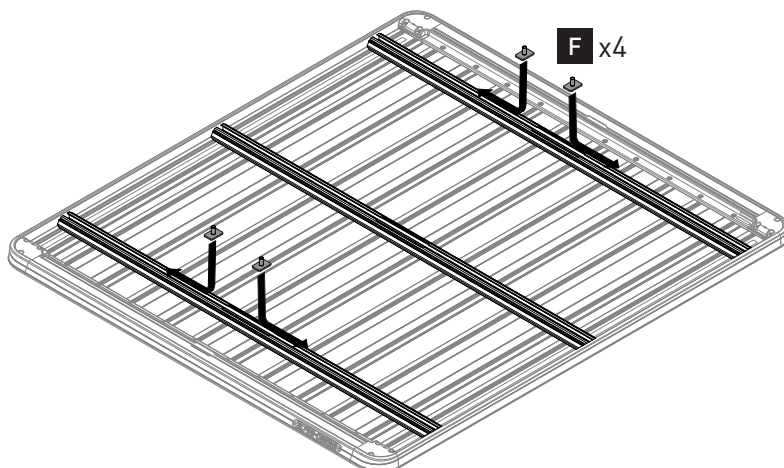
UNDERBAR SPACING

BAR NO.	A	B	C	D	E	F	G
UNDERBAR SPACING	100	100	100	100	100	100	100
CONNECTOR	100	100	100	100	100	100	100

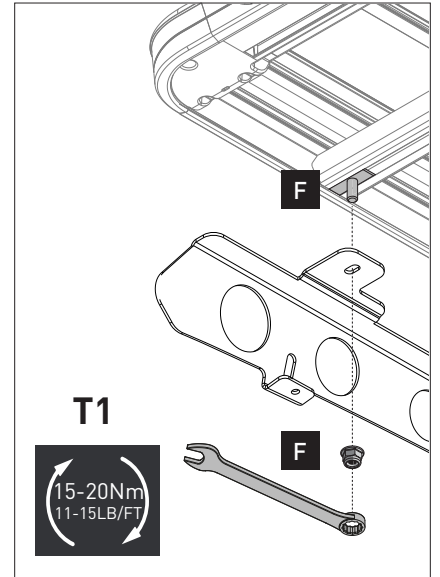
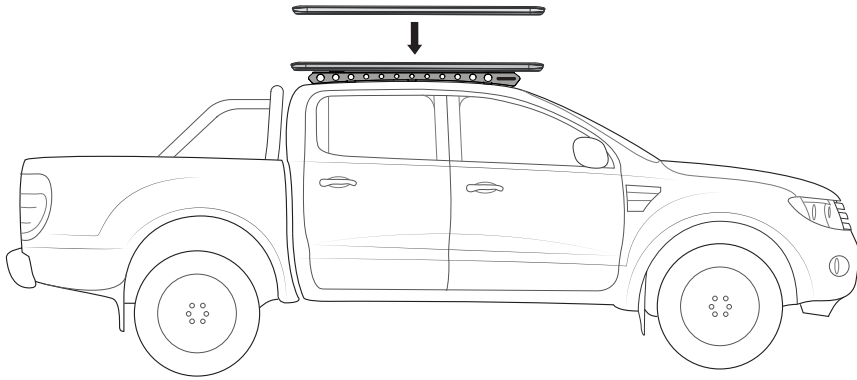
View Fitting Chart



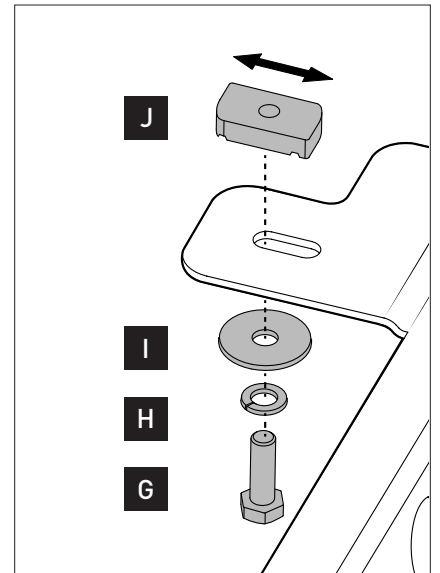
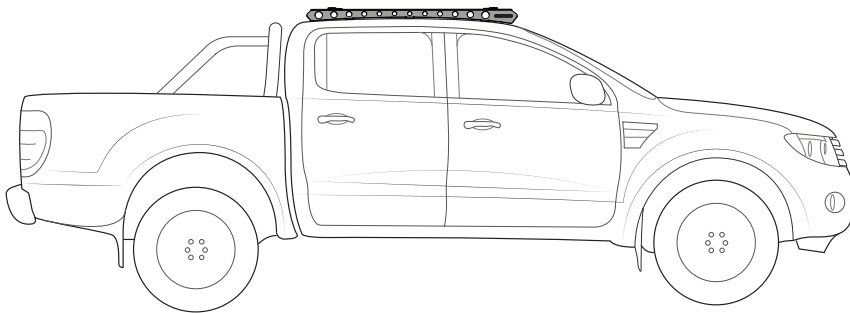
5 For 5XXXX Series Platform



6 For 5XXXX Series Platform



7 For 4XXXX Series Platform



8 For 4XXXX Series Platform

