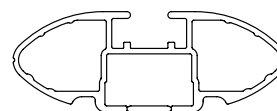
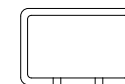




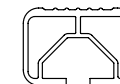
CROSSBAR IDENTIFICATION



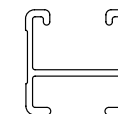
VA crossbar





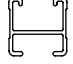
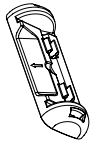

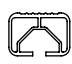

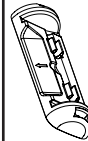
Steel Euro crossbar



EURO crossbar



HD crossbar

			FRONT CROSSBAR					REAR CROSSBAR						
			 VA	 EURO	 HD					 VA	 EURO	 HD		
Vehicle	Date	Crossbar	Front Right Pad/Clamp	Front Left Pad/Clamp	Measurement strip length per side	Measurement strip length per side	Measurement Distance (x)	Foot plate arrow direction	Rear Right Pad/Clamp	Rear Left Pad/Clamp	Measurement strip length per side	Measurement strip length per side	Measurement Distance (x)	Foot plate arrow direction
FORD F250,F350, F450 4dr Crew Cab	17-	1500mm	M368 SUB0797	M368 SUB0797	199mm	86mm	1286mm / 50, 5/8"	OUT	M368 SUB0797	M368 SUB0797	195mm	82mm	1278mm / 50, 5/16"	OUT
			Pad Arrow OUT					Pad Arrow OUT						



Rhino Rack 2500 Series - DK498 instruction

CONTROLLED

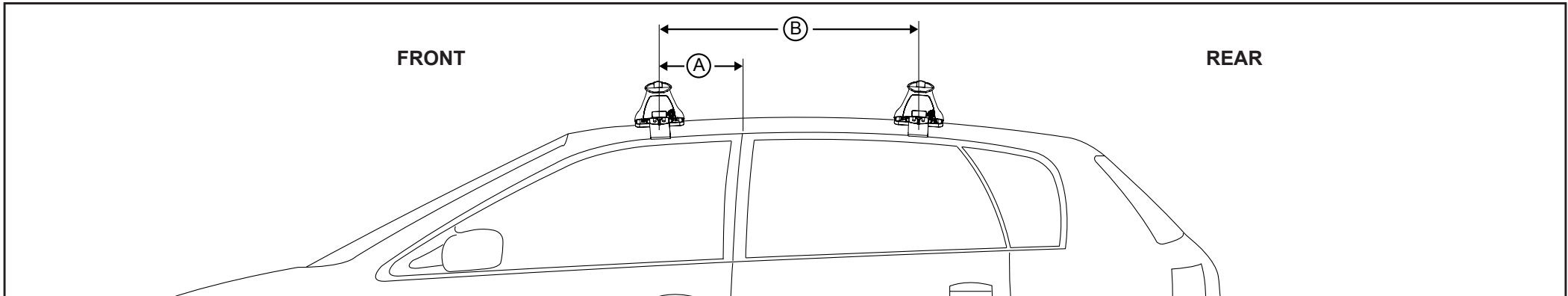
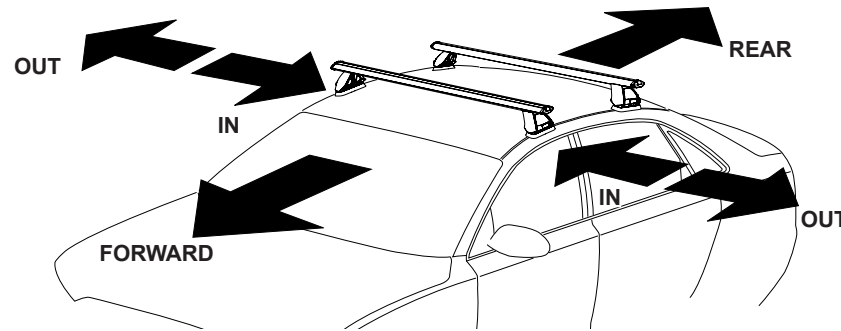
Measurement A: CENTRE of door jamb to CENTRE arrow of leg foot plate.

Measurement B: CENTRE of Front leg foot plate arrow to CENTRE of Rear leg foot plate arrow.

Carrying capacity: Roof rack is rated up to 75kg. Please refer to manufacturers handbook for your vehicles maximum roof load capacity. Always use the lower of the two figures.

If your vehicle is not listed on this fitting instruction please refer to your countries Rhino-Rack web site for the latest information.

Direction of Pad Arrow and Foot Plate Arrow



VEHICLE	Date	Measurement A	Measurement B	Load Rating up to (includes racks 5kg/ 11lbs)
FORD F250,F350,F450 4dr Crew Cab	17-	250mm / 9,13/16"	850mm / 33,7/16"	75kg / 165lbs