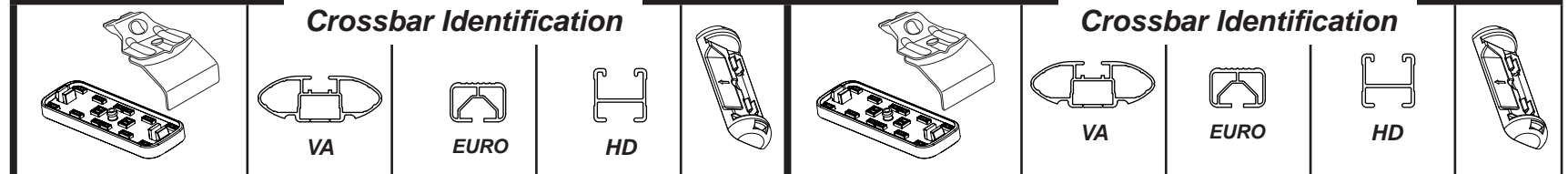


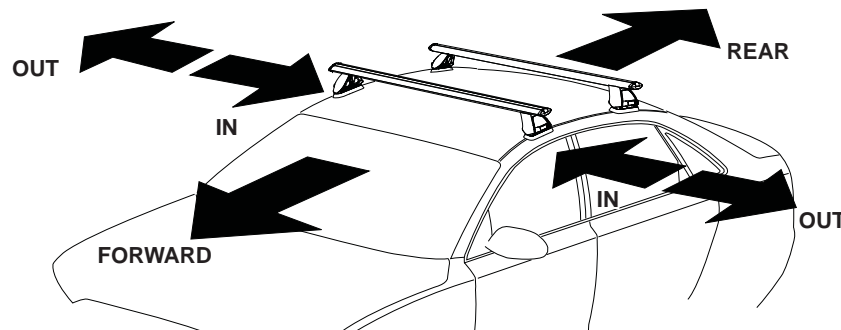


FRONT **REAR**



Vehicle	Date	Crossbar	Front		FRONT				Rear		REAR			
			Front Right Pad/Clamp	Front Left Pad/Clamp	Measurement strip length per side	Measurement strip length per side	Measurement Distance (x)	Foot plate arrow direction	Rear Right Pad/Clamp	Rear Left Pad/Clamp	Measurement strip length per side	Measurement strip length per side	Measurement Distance (x)	Foot plate arrow direction
KIA Forte 4dr Sedan (3rd Gen)	14-	1180mm	M282 SUB0368	M281 SUB0368	187mm	132mm	942mm / 37,3/32"	OUT	M284 SUB0515	M283 SUB0515	175mm	120mm	918mm / 36,9/64"	OUT
KIA Cerato 4dr Sedan (3rd Gen)	13-		Pad Arrow FORWARD						Pad Arrow FORWARD					

Table above refers to Direction of Pad Arrow and Foot Plate Arrow when fitted on the vehicle.





Rhino-Rack 2500 Series - DK401 and RS617 instruction

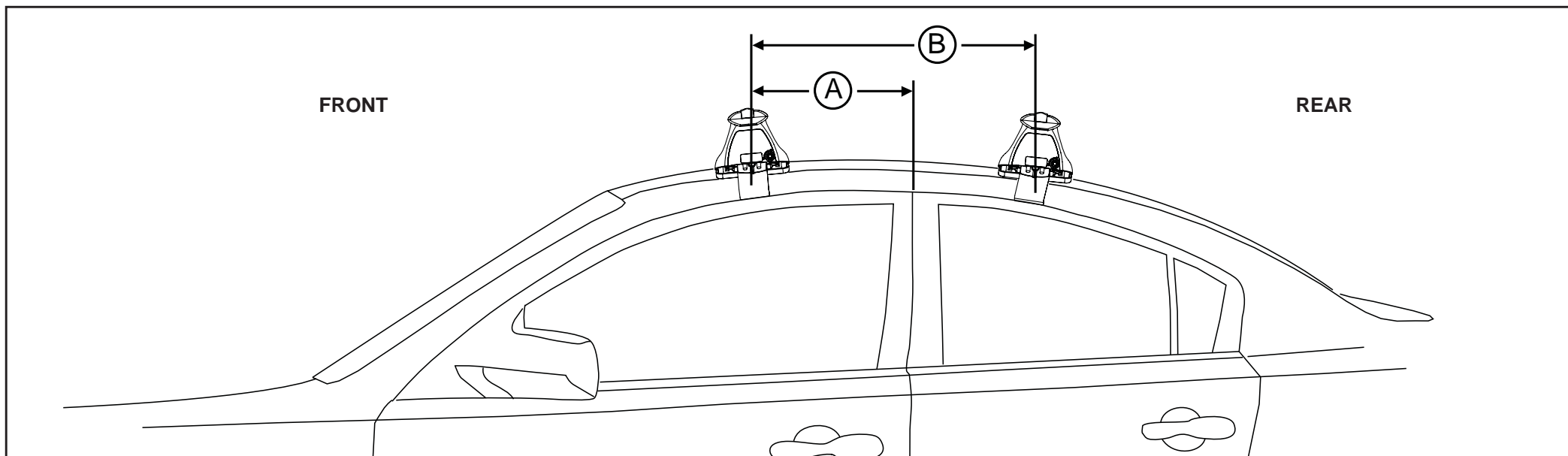
CONTROLLED

Measurement A: CENTRE of door jamb to CENTRE arrow of leg foot plate.

Measurement B: CENTRE of Front leg foot plate arrow to CENTRE of Rear leg foot plate arrow.

Carrying capacity: Roof rack is rated up to 75kg. Please refer to manufacturers handbook for your vehicles maximum roof load capacity. Always use the lower of the two figures.

If your vehicle is not listed on this fitting instruction please refer to your countries Rhino-Rack web site for the latest information.



VEHICLE	Date	Measurement A	Measurement B	Load Rating up to (includes racks 5kg/ 11lbs)
KIA Forte 4dr Sedan (3rd Gen)	14-	250mm / 9,27/32"	700mm / 27,9/16"	50kg / 110lbs
KIA Cerato 4dr Sedan (3rd Gen)	13-			