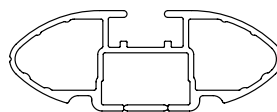


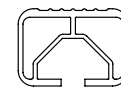


DK329 Rhino-Rack VA, Euro & HD crossbar instruction

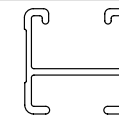
IDENTIFICATION CHART



VA crossbar



EURO crossbar



HD crossbar

Vehicle	Date	Crossbar	FRONT CROSSBAR					REAR CROSSBAR					
			Front Right Pad/ Clamp	Front Left Pad/ Clamp	Measurement strip length per side	Measurement strip length per side	Measurement Distance (x)	Foot plate arrow direction	Rear Right Pad/ Clamp	Rear Left Pad/ Clamp	Measurement strip length per side	Measurement strip length per side	Measurement Distance (x)
Toyota Yaris (131) 3dr hatch	11-20	1180mm	142697 SUB0146	142696 SUB0146	172mm	117mm	912mm / 35,29/32"	OUT	M368 SUB0146	148mm	93mm	864mm / 34,1/64"	OUT
			Pad Arrow OUT						Pad Arrow OUT				
Toyota Yaris (130) 5dr hatch	11-20	1180mm	142697 SUB0146	142696 SUB0146	167mm	112mm	902mm / 35,33/64"	OUT	M368 SUB0146	138mm	83mm	844mm / 33,15/64"	OUT
			Pad Arrow OUT						Pad Arrow OUT				



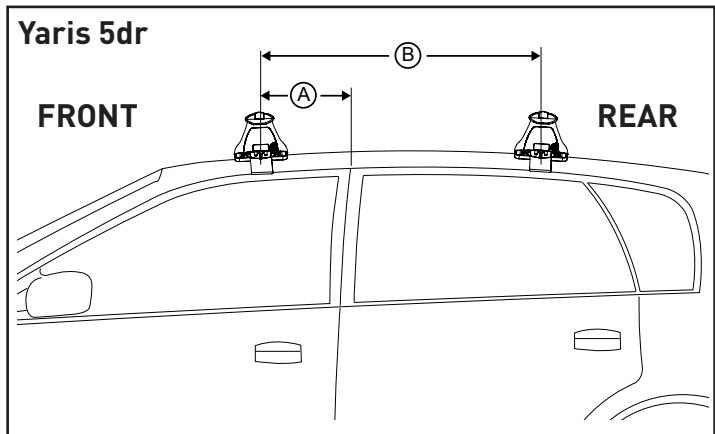
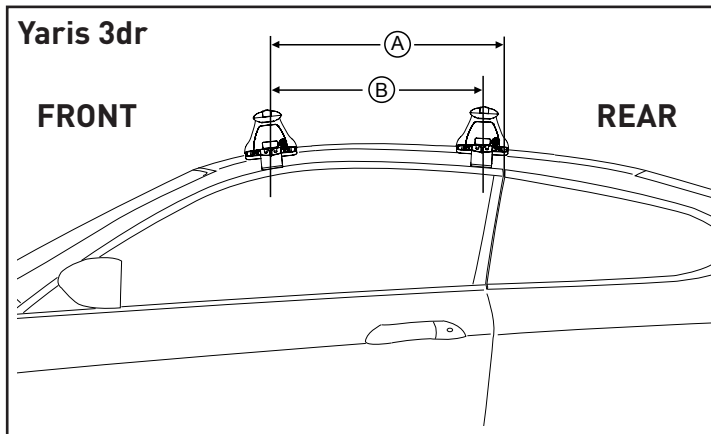
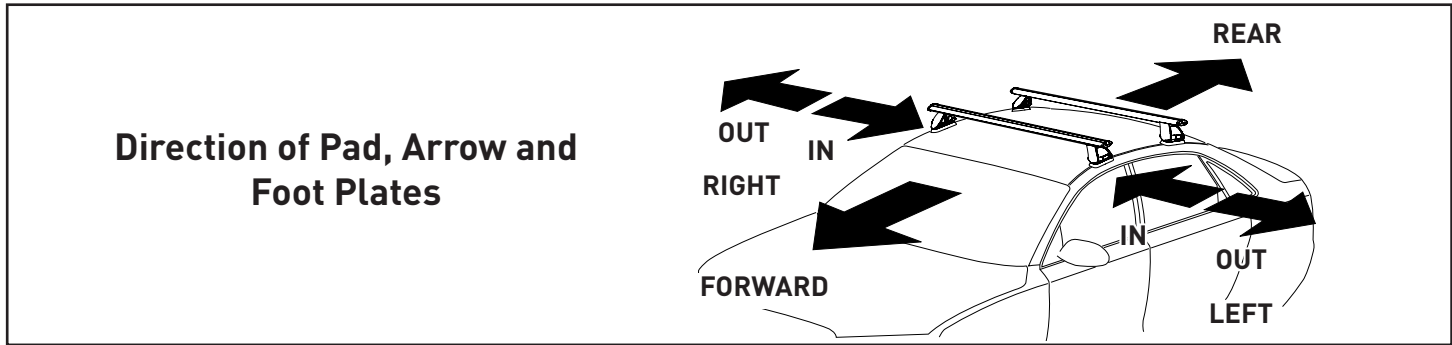
DK329 Rhino-Rack VA, Euro & HD crossbar instruction

Measurement A: CENTRE of door jamb to CENTRE arrow of leg foot plate.

Measurement B: CENTRE of Front leg foot plate arrow to CENTRE of Rear leg foot plate arrow.

Carrying capacity: Roof rack is rated to 75kg. Please refer to manufacturers handbook for your vehicles maximum roof load capacity. Always use the lower of the two figures.

If your vehicle is not listed on this fitting instruction please refer to your countries Rhino-Rack web site for the latest information.



VEHICLE	Date	Measurement A	Measurement B	Load Rating (includes racks 5kg/ 11lbs)
Toyota Yaris (131) 3dr hatch	11-20	620mm / 24,13/32"	520mm / 20,15/32"	Up to* 60kg / 132lbs
Toyota Yaris (130) 5dr hatch	11-20	400mm / 15,3/4"	700mm / 27,9/16"	Up to* 60kg / 132lbs

***System Load Rating:** Please refer to manufacturer’s handbook for your vehicle’s maximum roof load capacity. Always use the lower of the two figures.