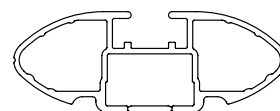
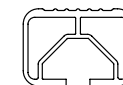




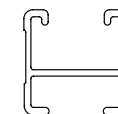
CROSSBAR IDENTIFICATION



VA crossbar



EURO crossbar



HD crossbar

Vehicle	Date	Crossbar	FRONT CROSSBAR						REAR CROSSBAR					
			Front Right Pad/Clamp	Front Left Pad/Clamp	Measurement strip length per side	Measurement strip length per side	Measurement Distance (x)	Foot plate arrow direction	Rear Right Pad/Clamp	Rear Left Pad/Clamp	Measurement strip length per side	Measurement strip length per side	Measurement Distance (x)	Foot plate arrow direction
Hyundai Elantra 4dr sedan	11-16	1260mm	142697 SUB0370	142696 SUB0370	192mm	79mm	1032mm / 40,5/8"	OUT	142696 SUB0370	142697 SUB0370	181mm	68mm	1010mm / 39,49/64"	OUT
			Pad Arrow OUT						Pad Arrow OUT					



Rhino Rack 2500 Series - DK301 instruction

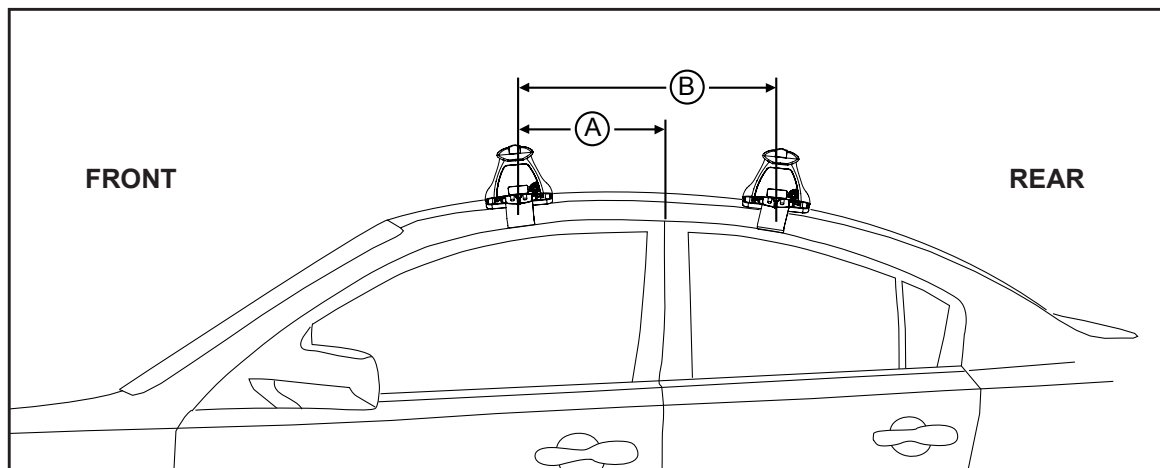
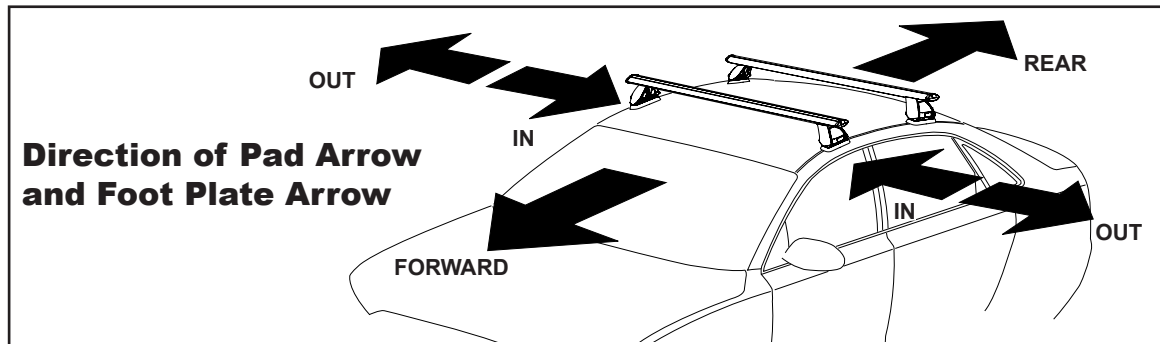
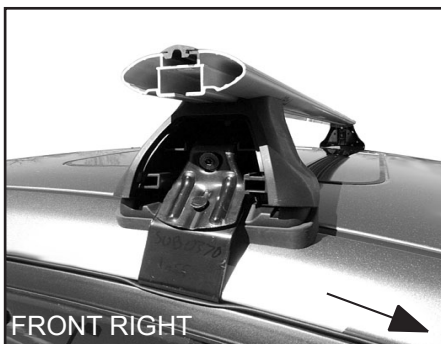
CONTROLLED

Measurement A: CENTRE of door jamb to CENTRE arrow of leg foot plate.

Measurement B: CENTRE of Front leg foot plate arrow to CENTRE of Rear leg foot plate arrow.

Maximum Carrying Capacity: Up to 75kg (165lbs) including the weight of the roof rack system evenly distributed over all crossbars. Please refer to your vehicle manufacturers handbook and Rhino-Rack vehicle selector web page (www.rhinorack.com/fit-my-car/select-vehicle) for maximum roof loading. Always use the lower of the two figures.

If your vehicle is not listed on this fitting instruction please refer to your countries Rhino-Rack web site for the latest information.



VEHICLE	Date	Measurement A	Measurement B	Load Rating (includes racks 5kg/ 11lbs)
Hyundai Elantra 4dr sedan	11-16	310mm / 12,13/64"	650mm / 25,19/32"	60kg / 132lbs