

Dodge Ram 2500/3500 2003-2013 2WD/4WD 2" Rear Block Kit w/o Camper PKG

2 - Rear Spacer Blocks
4 - U-Bolts
8 - U-Bolt Nuts

PRE-INSTALLATION

Professional installation by a certified technician is strongly recommended.

Not responsible for altered products. No claims are made regarding any lifting devices. Any and all claims implied in this document excluded.

REQUIRED TOOLS:

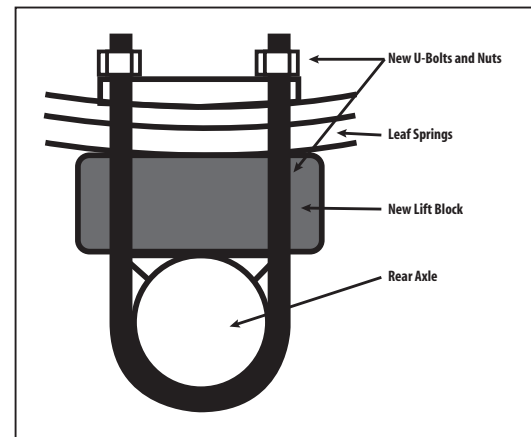
Impact Wrench Floor Jack or Lift
Wrenches Jack Stands

Torque Specs:

Size	Grade 5	Grade 8	Size	Class 8.8	Class 10.9
5/16"	15 ft/lbs	20 ft/lbs	6MM	6ft/lbs	8ft/lbs
3/8"	30 ft/lbs	35 ft/lbs	8MM	16ft/lbs	22ft/lbs
7/16"	45 ft/lbs	60 ft/lbs	10MM	40ft/lbs	45ft/lbs
1/2"	65 ft/lbs	90 ft/lbs	12MM	54ft/lbs	70ft/lbs
9/16"	95 ft/lbs	130 ft/lbs	14MM	89ft/lbs	117ft/lbs
5/8"	135 ft/lbs	175 ft/lbs	16MM	132ft/lbs	175ft/lbs
3/4"	185 ft/lbs	280 ft/lbs	18MM	182ft/lbs	236ft/lbs

INSTALLATION INSTRUCTIONS

- STEP 1:** Chock front wheels and jack up rear of vehicle. Place jack stands under frame rails.
- STEP 2:** Support rear axle with jack.
- STEP 3:** Disconnect lower shock from mount.
- STEP 4:** Remove all nuts on factory U-bolts. Work on one side of vehicle at a time.
- STEP 5:** Remove factory U-bolts.
- STEP 6:** Lower rear axle slowly until there is enough space to install block between axle and leaf spring.
- STEP 7:** Position new block and align with center pin down.
- STEP 8:** Raise axle until block contacts leaf spring, aligning centering pin.
- STEP 9:** Install new U-bolts.
- STEP 10:** Secure U-bolts with included nuts and tighten.
- STEP 11:** Re-install shock to lower mount.
- STEP 12:** Lower vehicle and torque all hardware.



POST-INSTALLATION

- STEP 1:** Check for proper torque on all fasteners. Check steering for proper working order and check for interference. Inspect and test brake system. Check clearance between all rotating, mobile, fixed and hot parts. Check clearance between exhaust and brake lines, fuel tank and lines, wiring harness and floorboards.
- STEP 2:** Re-torque u-bolts and other fasteners after first 100 miles, then again after another 100 miles.
- STEP 3:** Adjust headlights to proper alignment.

MAINTENANCE: After 500 miles, re-torque all fasteners. (Recommended every 1000 miles thereafter) Have all suspension, driveline and steering components inspected by a certified technician during routine maintenance (Recommended every 3000 miles)