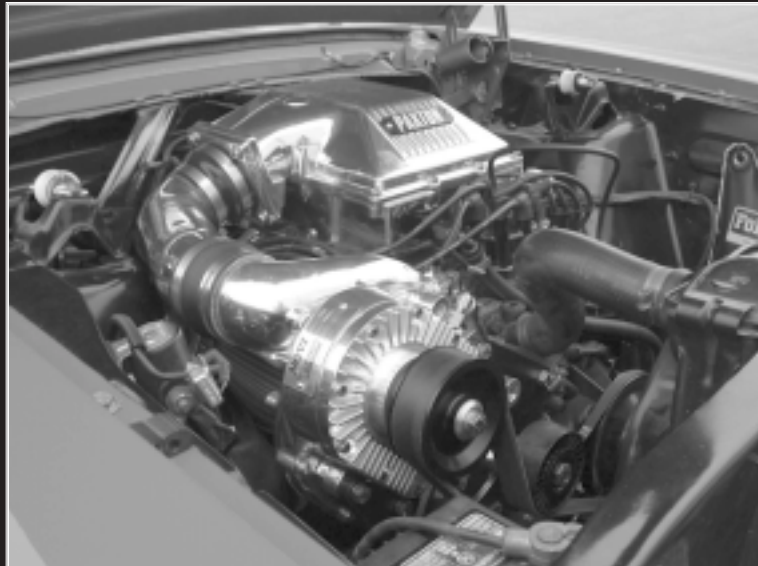




PAXTON

SUPERCHARGERS



Owner's Installation Guide for the
Paxton Automotive
Novi 1200/1500 Supercharger
for the
Universal Small Block
Ford-Carbureted System*

**Legal in California only for racing vehicles which may never be used upon a highway.*

Paxton Automotive . 1300 Beacon Place . Oxnard CA 93033
805 604-1336 • FAX (805) 604-1337

FOREWORD

This manual provides information on the installation, maintenance and service of the Paxton supercharger kit expressly designed for the 1985 5.0 Ford Mustang Contact Paxton Automotive Corporation for any additional information regarding this kit and any of these modifications at (805) 604-1336 7:00am-3:45pm PST.

An understanding of the information contained herein will help novices, as well as experienced technicians, to correctly install and receive the greatest possible benefit from their Paxton supercharger. When reference is made in this manual to a brand name, number, specific tool or technique, an equivalent product may be used in place of the item mentioned. All information, illustrations and specifications contained herein are based on the latest product information available at the time of this publication. All rights reserved to make changes at any time without notice.

© 2007 PAXTON AUTOMOTIVE

All rights reserved. No part of this publication may be reproduced, transmitted, transcribed, or translated into another language in any form, by any means without written permission of Paxton Automotive.

TABLE OF CONTENTS

FOREWORD	<i>ii</i>
TABLE OF CONTENTS	<i>iii</i>
TOOL AND SUPPLY REQUIREMENTS	<i>iv</i>
PARTS LIST - 1964-1968 Mustang Small Block Ford (Passenger's Side Carbureted)	<i>v</i>
PARTS LIST - 1964-1968 Mustang Small Block Ford (Driver's Side Carbureted)	<i>vi</i>
PARTS LIST - Universal Small Block Ford (Passenger's Side Carbureted)	<i>vii</i>
PARTS LIST - Universal Small Block Ford (Driver's Side Carbureted)	<i>viii</i>
PARTS LIST - 1969 Mustang 351W Small Block Ford (Passenger's Side Carbureted)	<i>ix</i>
PARTS LIST - 1969 Mustang 351W Small Block Ford (Driver's Side Carbureted)	<i>x</i>
1. INTRODUCTION	<i>1-1</i>
2. PREPARATION/REMOVAL	<i>2-1</i>
3. OIL FEED INSTALLATION	<i>3-1</i>
4. OIL DRAIN INSTALLATION	<i>4-1</i>
5. FUEL PUMP BOOST REFERENCE	<i>5-1</i>
6. MOUNTING BRACKET/SUPERCHARGER INSTALLATION	<i>6-1</i>
7. CRANK PULLEY AND SUPERCHARGER DRIVE PULLEY INSTALLATION	<i>7-1</i>
8. CARBURETOR ENCLOSURE INSTALLATION	<i>8-1</i>
9. AIR DUCTING INSTALLATION	<i>9-1</i>
10. FINAL RE-ASSEMBLY AND CHECK	<i>10-1</i>

Universal Small Block Ford Carbureted System

Installation Instructions

PLEASE READ CAREFULLY

This kit should only be installed by qualified mechanics. **It is imperative that the correct air/fuel mixture be maintained at all times. This Kit is to be supplied to competent engine tuners for their completion by the addition of, and tuning of, an appropriate carburetor unit.**

This product is intended for use on healthy, well maintained engines. Installation on a worn-out or damaged engine is not recommended and may result in failure of the engine.

Paxton Automotive is not responsible for engine damage. Installation on new engines will not harm or adversely affect the break-in period so long as factory break-in procedures are followed.

For best performance and continued durability, please take note of the following key points:

1. Use only premium grade fuel 91 octane or higher (R+M/2).
2. The engine must have stock or lower than stock compression ratio.
3. If the engine has been modified in any way, check with Paxton prior to using this product.
4. Always listen for any sign of detonation (pinging) and discontinue hard use (no boost) until problem is resolved.
5. Perform an oil and filter change upon completion of this installation and prior to operating the vehicle. Thereafter, always use a high grade "SF" rated engine oil or a high quality synthetic, and change the oil and filter every 3000 miles.
6. Before beginning installation, replace all spark plugs with one to two step colder heat range and reset timing to no more than 26° total or install a boost retard ignition. (Always follow the procedures indicated in the factory repair manual.)

TOOL AND SUPPLY REQUIREMENTS:

- Factory Repair Manual
- 3/8" Drive and Socket Set: SAE and Metric
- 1/2" Drive and Socket Set: SAE and Metric
- Open End Wrenches: SAE and Metric
- Center Punch
- SF Rated Quality Engine Oil
- Loctite Sealer #RC-609
- Oil Filter, and Wrench
- Heavy Grease
- Silicone Sealer
- Teflon Paste Sealant
- TAP, 3/8-18 NPT



1964-1968 Mustang Small Block Ford, Passenger's Side Carbureted

Part No. 1001839 (NOVI 1200) | Part No. 1001846 (NOVI 1500)

PARTS LIST

IMPORTANT: Before beginning installation, verify that all parts are included in the kit. Report any shortages or damaged parts immediately.

PART NO.	DESCRIPTION	QTY.	PART NUMBER	DESCRIPTION	QTY.
1016116	S/C ASY, NOVI 1200, CW, CRV	1	4PFX112-021	AIR DISCHARGE ASY, SBF CARB	1
1016124	S/C ASY, NOVI 1500, CW, CRV	1	4PFX012-021	MACH, DISCH TUBE SBF CARB	1
2A038-370	S/C PULLEY Ø3.70" 8-GROOVE	1	7P750-100	3/4"NPT x 1" HOSE FITTING	1
2A048-575	BELT, 57.5"	1	7PS300-275	REDUCER, 3.00" - 2.75"	1
4PFX118-021	S/C DRIVE ASY 3 OR 4 BOLT	1	7PS350-300	REDUCER, BLK 3.5" - 3" x 2" LG, MOD	1
4FA111-042	S/C BELT TENSIONER ASY, H.O.	1	7R002-016	#16 GOLDSEAL, HOSE CLAMP	2
4PFX017-933	SPACER, SBF C/P	1	7R002-044	#44 SAE TYPE "F" SS HOSE CLAMP	1
4PFX018-021	CRANK PULLEY, SBF CARB	1	7R002-048	#48 SAE TYPE "F" SS HOSE CLAMP	2
7A375-151	3/8-16 x 1.5" HXHD GR8	4	7R002-056	#56 SAE TYPE "F" SS HOSE CLAMP	1
7A375-250	3/8-16 x GR8 HX	3	7U030-046	5/32" VACUUM LINE	2
7K375-040	3/8"AN960 FLAT WASHER, PLATED	4	7U034-016	1" GS HOSE	0.25
8PM205-012	CARB. ENCL ASY, SBF CARB	1	8D001-001	STD COMP BYPASS VALVE	1
8PM105-012	ENCL. STD. MACH. ASY	1	8M003-041	MACHINE, 3.5" FLANGE	1
8PM003-051	CARB CVR, PAXTON	1	8H040-075	1" AIR FILTER	1
7P500-087	PLUG BTNHD, AN-8 WITH O-RING, BLK	3	4PFX101-001	FUEL ASY, SBF CARB	1
7A312-078	5/16-18 x 3/4" HOSE	16	7P125-016	7/8"NPT PLUG	1
7P187-102	FITTING, -3 TO 1/4" HOSE	3	7P250-043	1/4"NPT x 5/16" BARB	1
7P187-103	PLUG, -3 BUTTONHEAD WITH O-RING	1	7P250-047	1/4"NPT TO 3/8" BARB 90°	1
7P375-104	PLUG, OIL HOLE	3	7P250-141	-6 HOSE END, 90°	1
7A312-252	5/16" STUD	4	7P500-083	AN -8 HOSE END, STRAIGHT	1
7F312-024	6/16-24 JAM NUT	4	7P500-084	MALE TEE -8, -6, -6	1
7J312-000	5/16" FLAT WASHER-SAE	4	7P500-085	FITTING, -8 BULKHEAD WITH O-RING	1
7U100-003	O-RING, -3	4	7P500-086	120° -8 TO 1/2" BARB	1
7U100-008	O-RING, -8	3	7P500-087	PLUG, AN -8 O-RING PORT	1
8M001-018	GASKET, 90mm THROTTLE BODY	1	7P500-089	FITTING, -8 BULKHEAD NUT, BLK	1
7C011-050	10-32 PLUG SCREW	1	7P500-377	AN-8 MALE SHORT, -6 MALE STD	1
7U100-020	10-32 GASKET	1	7R001-006	#6 STNLS HOSE CLAMP	4
8M001-017	HOLLEY 4-BARREL BASE GASKET	2	7U030-046	5/32" VACUUM LINE	4.5
7P250-084	1/4"NPT x 1/2" x 90° BARB	1	7U032-016	3/8" EFI FUEL HOSE, HI-PSR	2.5
8M110-600	ASY, THROTTLE '64-'68 MUSTANG	1	7U100-008	O-RING, -8	3
2A017-031	SPACER, THROTTLE ENCL. .313"ID	1	8H040-020	FUEL FILTER, INLINE 3/8"	1
4PFX017-200	SPACER, '64-'68 MUSTANG THROTTLE ARM, 2"	1	8F001-120	FUEL PUMP, SBF CARB 120GPH, 6-PSI	1
7A375-075	3/8-16 x 3/4" GR5 HXHD ZINC	1	4PFX020-010	INSTALLATION INSTRUCTIONS, SBF CARB	1
7C010-052	10-24 x 1/2" SS BHCS	4	8H040-350	AIR FILTER, 3.5"FLG x 5.1"L OFFSET (NOVI 1200)	1
7C010-077	10-24 x 3/4" SS BHCS	5	8N040-045	AIR FILTER 3.75"FLG x 5"L (NOVI 1500)	1
7C010-187	3/16" ROD END, RH WITH NUT	2	0N0575	S/C STRT INFO PKG ASY PAXTON	1
7C010-188	3/16" ROD END, LH WITH NUT	2	8M110-100	HOLLEY 4150 FLOAT BOWL LINE ASY	1
7C011-075	10-32 SCREW	1	8M110-120	DEMO FLOAT BOWL LINE ASY w/FTGS	1
7F010-001	NUT, THROTTLE	1		ADDITIONAL PARTS NEEDED FOR COMPLETE INSTALLATION	
7F010-033	10-32 NUT	1	1)	HOLLEY 4150 OR DEMON STYLE MECHANICAL SECONDARY CARBURETOR	
7J010-001	#10 FLAT WASHER	8	2)	FOR VEHICLES EQUIPPED WITH AIR CONDITIONING, ORDER 4PFX110-080	
7J010-687	WASHER, THROTTLE	1	4PFX110-080	SBF AC TENSIONER ASY	1
7J375-044	3/8"SAE WASHER, PLTD	2	4PFX010-080	PLATE, SBF, A/C TENSIONER	1
8M010-010	BRACKET, IDLE	1	4PFX010-090	MOUNT, SBF A/C TENSIONER PLATE	2
8M010-040	THROTTLE ARM INNER	2	4PFX016-011	PULLEY, SBF WP, AC DRIVE	1
8M010-050	THROTTLE SHAFT	1	2A041-365	V-BELT, 7365 GATES	1
8M010-070	RETAINER, SPRING ENCL.	1	2A017-876-07	SPACER, .875"OD x 1.490" LONG	1
8M010-080	RETAINER, SPRING THROTTLE	1	2A017-876-12	SPACER, .875"OD x .475" LONG	1
8M010-090	SPRING, THROTTLE ENCL.	1	7A375-150	3/8-16 x 1.5" HXHD GR5 PLTD	4
8M010-140	SHAFT, 5/16" HEX	1	7A375-175	3/8-16 x 1-3/4" HXHD GR5 PLT	2
8M010-600	SHAFT, THROTTLE '64-'66 MUSTANG	1	7A312-351	5/16-18 x 3-1/2" HXHD	2
4PFX110-044	MTG PLATE ASY, PASSENGER'S SIDE	1	7K312-001	5/16" AN WASHER, PLATED	2
4PFX010-050	PRIMARY MTG PLATE	1	7K375-040	3/8"AN960 FLAT WASHER, PLATED	6
4PFX010-070	S/C MTG PLATE	1	2A017-052	SPACER 1.41"L, 1"OD AL	1
2A017-101-400	SPACER, SBF MTG PLATE	4	4FG017-021	SPACER, .304"L x 1"OD AL	1
2A017-101-121	SPACER, FORD ALTERNATOR	1	2A017-462	SPACER, IDLER SMOOTH 6-RIB	1
7A375-500	3/8-16 x 5" HXHD GR8	3	7A375-375	3/8-16 x 3-3/4" HXHD	1
7A375-575	3/8-16 x 5.75" HXHD GR8 PLT	2	7J375-044	3/8" SAE WASHER, PLTD	2
7A375-126	3/8-16 x 1.25" HXHD GR8 PLT	6	4FR016-150	STEEL IDLER PLY, 3" SMOOTH	1
7A437-550	7/16-14 x 5-1/2" HXHD	1	4FA016-171	DUST COVER (IDLER PULLEY)	1
7K375-040	3/8"AN960 FLAT WASHER, PLATED	11	7A437-250	7/16-14 x 2.5" HXHD ZINC	3
4PFX130-026	OIL FEED LINE ASY, SBF CARB	1	7J438-081	7/16" SAE WASHER PLATED	3
7P125-004	1/8"NPT 90° x -4 JIC FTG	1	2A017-101-135	SPACER, 1.35"L, SBF w/AC	3
7P250-034	1/4"NPT x 1/4"NPT STRT T	1			
7P250-250	1/4"NPT STR x -4 JIC FTG	1			
7U250-090-240	OIL-FEED HOSE, 24" -4 x 90°	1			
7U100-055	TIE-WRAP, 6" NYLON	2			
4PFX130-036	OIL DRAIN ASY, SBF CARB	1			
7P375-017	3/8"NPT x 1/2" BEADED HOSE BARB	1			
7R001-008	#8 STNLS HOSE CLAMP	2			
7U030-036	1/2" OIL-DRAIN HOSE	1.5'			



1964-1968 Mustang Small Block Ford, Driver's Side Carbureted

Part No. 1001840 (NOVI 1200) | Part No. 1001847 (NOVI 1500)

PARTS LIST

IMPORTANT: Before beginning installation, verify that all parts are included in the kit. Report any shortages or damaged parts immediately.

PART NO.	DESCRIPTION	QTY.	PART NUMBER	DESCRIPTION	QTY.
1016117	S/C ASY, NOVI 1200, CW, STR	1	4PFX130-036	OIL DRAIN ASY, SBF CARB	1
1016127	S/C ASY, NOVI 1500, CW, STR	1	7P375-017	3/8"NPT x 1/2" BEADED HOSE BARB	1
2A038-370	S/C PULLEY Ø3.70" 8-GROOVE	1	7R001-008	#8 STNLS HOSE CLAMP	2
2A048-575	BELT, 57.5"	1	7U030-036	1/2" OIL DRAIN HOSE	1.5'
4PFX118-021	S/C DRIVE ASY, 3 OR 4 BOLT	1	4PFX212-040	AIR DISCHARGE ASY, DRIVER'S SIDE	1
4FA111-042	S/C BELT TENSIONER ASY, H.O.	1	4PFX112-040	DISCH TUBE DRIVER'S SIDE	1
4PFX017-933	SPACER, SBF C/P	1	7PS275-200	SLEEVE, 2.75" x 2.0" BLACK	1
4PFX018-021	CRANK PULLEY, SBF CARB	1	7PS350-275	REDUCER, BLK 3.5" - 2.75"	1
7A375-151	3/8-16 x 1.5" HXHD GR8	4	7R002-016	#16 GOLDSEAL, HOSE CLAMP	2
7A375-250	3/8-16 x GR8 HX	3	7R002-044	#44 SAE TYPE "F" SS HOSE CLAMP	3
7K375-040	3/8"AN960 FLAT WASHER, PLATED	4	7R002-056	#56 SAE TYPE "F" SS HOSE CLAMP	1
8PM205-012	CARB.ENCL ASY, SBF CARB	1	7U030-046	5/32" VACUUM LINE	3'
8PM105-012	ENCL. STD. MACH. ASY	1	7U034-016	1" GS HOSE	0.25
8PM003-051	CARB CVR, PAXTON	1	8D001-001	STD COMP BYPASS VALVE	1
7P500-087	PLUG BTNHD, AN -8 w/O-RING, BLK	3	8M003-011	MACHINE, 3.5" FLANGE 90°	1
7A312-078	5/16-18 x 3/4" HOSE	16	8H040-075	1" AIR FILTER	1
7P187-102	FITTING, -3 TO 1/4" HOSE	3	4PFX101-001	FUEL ASY, SBF CARB	1
7P187-103	PLUG, -3 BUTTONHEAD WITH O-RING	1	7P125-016	1/8"NPT PLUG	1
7P375-104	PLUG, OIL HOLE	3	7P250-043	1/4"NPT x 5/16" BARB	1
7A312-252	5/16" STUD	4	7P250-047	1/4"NPT-3/8" BARB 90°	1
7F312-024	6/16-24 JAM NUT	4	7P250-141	-6 HOSE END, 90°	1
7J312-000	5/16" FLAT WASHER-SAE	4	7P500-083	AN -8 HOSE END, STRAIGHT	1
7U100-003	O-RING, -3	3	7P500-084	MALE TEE -8, -6, -6	1
7U100-008	O-RING, -8	4	7P500-085	FITTING, -8 BULKHEAD WITH O-RING	1
8M001-018	GASKET, 90mm THROTTLE BODY	1	7P500-086	120° -8 TO 1/2" BARB	1
7C011-050	10-32 PLUG SCREW	1	7P500-087	PLUG, AN -8 O-RING PORT	1
7U100-020	10-32 GASKET	1	7P500-089	FITTING, -8 BULKHEAD NUT, BLK	1
8M001-017	HOLLEY 4-BARREL BASE GASKET	2	7P500-377	AN-8 MALE SHORT -6 MALE STD	1
7P250-084	1/4"NPT x 1/2" x 90° BARB	1	7R001-006	#6 STNLS HOSE CLAMP	4
8M110-600	ASY, THROTTLE '64-'68 MUSTANG	1	7U030-046	5/32" VACUUM LINE	4.5
2A017-031	SPACER, THROTTLE ENCL. .313"ID	1	7U032-016	3/8" EFI FUEL HOSE HI-PSR	2.5
4PFX017-200	SPACER, '64-'68 MUS. THROTTLE ARM, 2"	1	7U100-008	O-RING, -8	3
7A375-075	3/8-16 x 3/4" GR5 HXHD ZINC	1	8H040-020	FUEL FILTER, INLINE 3/8"	1
7C010-052	10-24 x 1/2" SS BHCS	4	8F001-120	FUEL PUMP, SBF CARB 120GPH, 6-PSI	1
7C010-077	10-24 x 3/4" SS BHCS	5	4PFX020-010	INSTALLATION INSTRUCTIONS, SBF CARB	1
7C010-187	3/16" ROD END RH WITH NUT	2	8H040-350	AIR FILTER, 3.5"FLG x 5.1"L OFFSET (NOVI 1200)	1
7C010-188	3/16" ROD END LH WITH NUT	2	8H040-045	AIR FILTER, 3.75"FLG x 5"L OFFSET (NOVI 1500)	1
7C011-075	10-32 SCREW	1	008575	S/C STRT INFO PKG ASY PAXTON	1
7F010-001	NUT, THROTTLE	1	8M110-100	HOLLEY 4150 FLOAT BOWL LINE ASY	1
7F010-033	10-32 NUT	1	8M110-120	DEMON FLOAT BOWL LINE ASY w/FTGS	1
7J010-001	#10 FLAT WASHER	8			
7J010-687	WASHER, THROTTLE	1			
7J375-044	3/8"SAE WASHER, PLTD	2			
8M010-010	BRACKET, IDLE	1			
8M010-040	THROTTLE ARM, INNER	2			
8M010-050	THROTTLE SHAFT	1			
8M010-070	RETAINER, SPRING ENCL.	1			
8M010-080	RETAINER, SPRING THROTTLE	1			
8M010-090	SPRING, THROTTLE ENCL.	1			
8M010-140	SHAFT, 5/16" HEX	1			
8M010-600	SHAFT, THROTTLE '64-'66 MUSTANG	1			
4PFX110-034	MTG PLATE ASY, DRIVER SIDE	1			
4PFX010-034	PRIMARY MTG PLATE	1			
4PFX010-044	S/C MTG PLATE	1			
2A017-101-475	SPACER, SBF MTG PLATE	4			
7A375-650	3/8-16 x 6.5" HXHD GR8	2			
7A375-575	3/8-16 x 5.75" HXHD GR8 PLT	2			
7A375-126	3/8-16 x 1.25" HXHD GR8 PLT	6			
7A437-650	7/16-14 x 6.5" HXHD	1			
7K375-040	3/8"AN960 FLAT WASHER, PLATED	11			
4PFX130-026	OIL FEED LINE ASY, SBF CARB	1			
7P125-004	1/8"NPT x 90° x -4 JIC FTG	1			
7P250-034	1/4"NPT x 1/4"NPT STRT T	1			
7P250-250	1/4"NPT STR x -4 JIC FTG	1			
7U250-090-240	OIL FEED HOSE, 24" x -4 x 90°	1			
7U100-055	TIE-WRAP, 6" NYLON	2			



Universal Small Block Ford, Passenger's Side Carbureted Part No. 1001841 **PARTS LIST**

IMPORTANT: Before beginning installation, verify that all parts are included in the kit. Report any shortages or damaged parts immediately.

PART NO.	DESCRIPTION	QTY.	PART NUMBER	DESCRIPTION	QTY.
1016118	S/C ASY, NOVI 1200, CW, CRV	1	PFX101-001	FUEL ASY, SBF CARB	1
4PFX118-021	S/C DRIVE ASY 3 OR 4 BOLT	1	7P125-016	1/8"NPT PLUG	1
4FA111-042	S/C BELT TENSIONER ASY, H.O.	1	7P250-043	1/4"NPT x 5/16" BARB	1
4PFX017-933	SPACER, SBF C/P	1	7P250-047	1/4"NPT TO 3/8" BARB 90°	1
4PFX018-021	CRANK PULLEY, SBF CARB	1	7P250-141	-6 HOSE END, 90°	1
7A375-151	3/8-16 x 1.5" HXHD GR8	4	7P500-083	AN -8 HOSE END, STRAIGHT	1
7A375-250	3/8-16 x GR8 HX	3	7P500-084	MALE TEE -8, -6, -6	1
7K375-040	3/8"AN960 FLAT WASHER, PLATED	4	7P500-085	FITTING, -8 BULKHEAD w/O-RING	1
8PM205-012	CARB.ENCL ASY, SBF CARB	1	7P500-086	120° -8 TO 1/2" BARB	1
8PM105-012	ENCL. STD. MACH. ASY	1	7P500-087	PLUG, AN -8 O-RING PORT	1
8PM003-051	CARB CVR, PAXTON	1	7P500-089	FITTING, -8 BULKHEAD NUT, BLK	1
7P500-087	PLUG BTNHD, AN-8 w/O-RING, BLK	3	7P500-377	AN-8 MALE SHORT -6 MALE STD	1
7A312-078	5/16-18 x 3/4" HOSE	16	7R001-006	#6 STNLS HOSE CLAMP	4
7P187-102	FITTING, -3 TO 1/4" HOSE	3	7U030-046	5/32" VACUUM LINE	4.5
7P187-103	PLUG, -3 BUTTONHEAD WITH O-RING	1	7U032-016	3/8" EFI FUEL HOSE HI-PSR	2.5
7P375-104	PLUG, OIL HOLE	3	7U100-008	O-RING, -8	3
7A312-252	5/16" STUD	4	8H040-020	FUEL FILTER, INLINE 3/8"	1
7F312-024	6/16-24 JAM NUT	4	8F001-120	FUEL PUMP, SBF CARB 120GPH, 6-PSI	1
7J312-000	5/16" FLAT WASHER-SAE	4			
7U100-003	O-RING, -3	4			
7U100-008	O-RING, -8	3			
8M001-018	GASKET, 90mm THROTTLE BODY	1			
7C011-050	10-32 PLUG SCREW	1			
7U100-020	10-32 GASKET	1			
8M001-017	HOLLEY 4-BARREL BASE GASKET	2			
7P250-084	1/4"NPT x 1/2" x 90° BARB	1			
4PFX110-044	MTG PLATE ASY, PASSENGER'S SIDE	1			
4PFX010-034	PRIMARY MTG PLATE	1			
4PFX010-044	S/C MTG PLATE	1			
2A017-101-400	SPACER, SBF MTG PLATE	4			
2A017-101-121	SPACER, FORD ALTERNATOR	1			
7A375-500	3/8-16 x 5" HXHD GR8	3			
7A375-575	3/8-16 x 5.75" HXHD GR8 PLT	2			
7A375-126	3/8-16 x 1.25" HXHD GR8 PLT	6			
7A437-550	7/16-14 x 5-1/2" HXHD	1			
7K375-040	3/8"AN960 FLAT WASHER, PLATED	11			
4PFX130-026	OIL FEED LINE ASY, SBF CARB	1			
7P125-004	1/8"NPT x 90° x -4 JIC FTG	1			
7P250-034	1/4"NPT x 1/4"NPT STRT T	1			
7P250-250	1/4"NPT STR x -4 JIC FTG	1			
7U250-090-240	OIL-FEED HOSE, 24" x -4 x 90°	1			
7U100-055	TIE-WRAP, 6" NYLON	2			
4PFX130-036	OIL DRAIN ASY, SBF CARB	1			
7P375-017	3/8"NPT x 1/2" BEADED HOSE BARB	1			
7R001-008	#8 STNLS HOSE CLAMP	2			
7U030-036	1/2" OIL-DRAIN HOSE	1.5			
4PFX112-021	AIR DISCHARGE ASY, SBF Carb	1			
4PFX012-021	MACH, DISCH TUBE SBF CARB	1			
7P750-100	3/4"NPT x 1" HOSE FITTING	1			
7PS300-275	REDUCER, 3.00" - 2.75"	1			
7PS350-300	REDUCER, BLK 3.5" x 3" x 2"LG, MOD	1			
7R002-016	#16 GOLDSEAL, HOSE CLAMP	2			
7R002-044	#44 SAE TYPE "F" SS HOSE CLAMP	1			
7R002-048	#48 SAE TYPE "F" SS HOSE CLAMP	2			
7R002-056	#56 SAE TYPE "F" SS HOSE CLAMP	1			
7U030-046	5/32" VACUUM LINE	2			
7U034-016	1" GS HOSE	0.25			
8D001-001	STD COMP BYPASS VALVE	1			
8M003-041	MACHINE, 3.5" FLANGE	1			
8H040-075	1" AIR FILTER	1			
008575	S/C STRT INFO PKG ASY PAXTON	1			
4PFX020-010	INSTALLATION INSTRUCTIONS SBF CARB	1			

ADDITIONAL PARTS NEEDED FOR COMPLETE INSTALLATION

- 1) **HOLLEY 4150 OR DEMON STYLE MECHANICAL SECONDARY CARBURETOR**
- 2) **FUEL LINE ASSEMBLY**
HOLLEY: 8M110-100 (USES STANDARD INVERTED FLARE BOWL INLET FITTINGS)
DEMON: 8M110-120 (SUPPLIED WITH AN -6 BOWL INLET FITTINGS)
- 3) **THROTTLE ASSEMBLY**
1964-1968 MUSTANG: 8M110-600
1969 MUSTANG: 8M110-069
UNIVERSAL: 8M110-010 (REQUIRES CUSTOMER FABRICATED BRACKET)
- 4) **SUPERCHARGER PULLEY AND BELT**
3.70": 2A038-370 S/C PULLEY (USES 2A048-575 - 57.5" BELT)
3.33": 2A038-333 S/C PULLEY (USES 2A048-565 - 56.5" BELT)
- 5) **AIR FILTER (CUSTOM AIR INLET MAY BE NEEDED FOR NON-STANDARD APPLICATIONS)**
8H040-350: AIR FILTER 3.5" FLG x 5.1L (CAN BE ORDERED SEPARATELY)
8H040-035: AIR FILTER 3.5" FLG x 3.7"L OFFSET (CAN BE ORDERED SEPARATELY)
- 6) **UNIVERSAL BATTERY RELOCATION ASSEMBLY:** 8N150-010 (OPTIONAL, MAY BE REQUIRED FOR PASSENGER'S SIDE INSTALLATIONS)



Universal Small Block Ford, Driver Side Carbureted Part No. 1001842

PARTS LIST

IMPORTANT: Before beginning installation, verify that all parts are included in the kit. Report any shortages or damaged parts immediately.

PART NO.	DESCRIPTION	QTY.	
1016119	S/C ASY, NOVI 1200, CW, STR	1	ADDITIONAL PARTS NEEDED FOR COMPLETE INSTALLATION
4PFX118-021	S/C DRIVE ASY 3 OR 4 BOLT	1	1) HOLLEY 4150 OR DEMON STYLE MECHANICAL SECONDARY CARBURETOR
4FA111-042	S/C BELT TENSIONER ASY, H.O.	1	2) FUEL LINE ASSEMBLY-
4PFX017-933	SPACER, SBF C/P	1	HOLLEY: 8M110-020 (REQUIRES STANDARD INVERTED FLARE BOWL INLET FITTINGS)
4PFX018-021	CRANK PULLEY, SBF CARB	1	DEMON: 8M110-030 (REQUIRES AN -6 BOWL INLET FITTINGS)
7A375-151	3/8-16 x 1.5" HXHD GR8	4	3) THROTTLE ASSEMBLY
7A375-250	3/8-16 x GR8 HX	3	UNIVERSAL: 8M110-010
7K375-040	3/8"AN960 FLAT WASHER, PLATED	4	4) SUPERCHARGER PULLEY AND BELT
8PM205-012	CARB.ENCL ASY, SBF CARB	1	3.70": 2A038-370 S/C PULLEY (USES 2A048-575 - 57.5" BELT)
8PM105-012	ENCL. STD. MACH. ASY	1	3.33": 2A038-333 S/C PULLEY (USES 2A048-565 - 56.5" BELT)
8PM003-051	CARB CVR, PAXTON	1	5) HIGH-FLOW BOOST REFERENCED FUEL SYSTEM
7P500-087	PLUG BTNHD, AN-8 WITH O-RING, BLK	3	
7A312-078	5/16-18 x 3/4" HOSE	16	
7P187-102	FITTING, -3 TO 1/4" HOSE	3	
7P187-103	PLUG, -3 BUTTONHEAD w/O-RING	1	
7P375-104	PLUG, OIL HOLE	3	
7A312-252	5/16" STUD	4	
7F312-024	6/16-24 JAM NUT	4	
7J312-000	5/16" FLAT WASHER-SAE	4	
7U100-003	O-RING, -3	4	
7U100-008	O-RING, -8	3	
8M001-018	GASKET, 90mm THROTTLE BODY	1	
7C011-050	10-32 PLUG SCREW	1	
7U100-020	10-32 GASKET	1	
8M001-017	HOLLEY 4-BARREL BASE GASKET	2	
7P250-084	1/4"NPT x 1/2" x 90° BARB	1	
4PFX110-034	MTG PLATE ASY, PASSENGER'S SIDE	1	
4PFX010-034	PRIMARY MTG PLATE	1	
4PFX010-044	S/C MTG PLATE	1	
2A017-101-475	SPACER, SBF MTG PLATE	4	
7A375-650	3/8-16 x 6.5" HXHD GR8	2	
7A375-575	3/8-16 x 5.75" HXHD GR8 PLT	2	
7A375-126	3/8-16 x 1.25" HXHD GR8 PLT	6	
7A437-650	7/16-14 x 6.5" HXHD	1	
7K375-040	3/8"AN960 FLAT WASHER, PLATED	11	
4PFX130-026	OIL FEED LINE ASY, SBF CARB	1	
7P125-004	1/8"NPT x 90° x -4 JIC FTG	1	
7P250-034	1/4"NPT x 1/4"NPT STRT T	1	
7P250-250	1/4"NPT STR x -4 JIC FTG	1	
7U250-090-240	OIL FEED HOSE, 24" x -4 x 90°	1	
7U100-055	TIE-WRAP, 6" NYLON	2	
4PFX130-036	OIL DRAIN ASY, SBF CARB	1	
7P375-017	3/8"NPT x 1/2" BEADED HOSE BARB	1	
7R001-008	#8 STNLS HOSE CLAMP	2	
7U030-036	1/2" OIL DRAIN HOSE	1.5	
4PFX212-040	AIR DISCHARGE ASY, DRIVER SBF CARB	1	
4PFX112-040	DISCHARGE TUBE SBF CARB	1	
7PS275-200	SLEEVE, 2.75" x 2.0" BLACK	1	
7PS350-275	REDUCER, BLK 3.50" - 2.75"	1	
7R002-016	#16 GOLDSEAL, HOSE CLAMP	2	
7R002-044	#44 SAE TYPE "F" SS HOSE CLAMP	3	
7R002-056	#56 SAE TYPE "F" SS HOSE CLAMP	1	
7U030-046	5/32" VACUUM LINE	3'	
7U034-016	1" GS HOSE	0.25	
8D001-001	STD COMP BYPASS VALVE	1	
8M003-011	MACHINE, 3.5" FLANGE 90°	1	
8H040-075	1" AIR FILTER	1	
008575	S/C STRT INFO PKG ASY PAXTON	1	
4PFX020-010	INSTALLATION INSTRUCTIONS SBF CARB	1	



1969 Mustang 351W Small Block Ford, Passenger's Side Carbureted

Part No. 1001843 (NOVI 1200) | Part No. 1001848 (NOVI 1500)

PARTS LIST

IMPORTANT: Before beginning installation, verify that all parts are included in the kit. Report any shortages or damaged parts immediately.

PART NO.	DESCRIPTION	QTY.	PART NO.	DESCRIPTION	QTY.
1016122	S/C ASY, NOVI 1200, CW, CRV 1969	1	4PFX130-036	OIL DRAIN ASY, SBF CARB	1
1016126	S/C ASY, NOVI 1500, CW, CRV 1969	1	7P375-017	3/8"NPT x 1/2" BEADED HOSE BARB	1
2A038-370	S/C PULLEY Ø3.70" 8-GROOVE	1	7R001-008	#8 STNLS HOSE CLAMP	2
2A048-575	BELT, 57.5"	1	7U030-036	1/2" OIL DRAIN HOSE	1.5'
4PFX117-069	S/C DRIVE ASY SBF, '69 351	1	4PFX112-031	AIR DISCHARGE ASY, SBF CARB	1
4FA111-042	S/C BELT TENSIONER ASY, H.O.	1	4PFX012-031	MACH, DISCH TUBE SBF CARB	1
4PFX017-069	SPACER, SBF C/P, '69 351	1	7PS350-200	SLEEVE, BLACK 3.5"ID x 2.0" LG	1
4PFX018-021	CRANK PULLEY, SBF CARB	1	7PS350-275	REDUCER, BLK 3.5" - 2.75"	1
7A375-250	3/8-16 x GR8 HX	3	7R002-044	#44 SAE TYPE "F" SS HOSE CLAMP	1
7K375-040	3/8"AN960 FLAT WASHER, PLATED	3	7R002-056	#56 SAE TYPE "F" SS HOSE CLAMP	3
8PM205-012	CARB ENCL ASY, SBF CARB	1	7U030-046	5/32" VACUUM LINE	2
8PM105-012	ENCL. MACH. ASY, SBF	1	8H040-175	FILTER, 1-3/4"ID MFRB	1
8PM003-051	CARB CVR, PAXTON	1	8D204-010	RACE BYPASS VALVE - BLACK	1
7P500-087	PLUG BTNHD, AN -8 w/O-RING, BLK	3	4PFX101-001	FUEL ASY, SBF CARB	1
7A312-078	5/16-18 x 3/4" HOSE	16	7P125-016	1/8"NPT PLUG	1
7P187-102	FITTING, -3 TO 1/4" HOSE	3	7P250-043	1/4"NPT x 5/16" BARB	1
7P187-103	PLUG, -3 BUTTONHEAD w/O-RING	1	7P250-047	1/4"NPT x 3/8" BARB x 90°	1
7P375-104	PLUG, OIL HOLE	3	7P250-141	-6 HOSE END, 90°	1
7A312-252	5/16" STUD	4	7P500-083	AN -8 HOSE END, STRAIGHT	1
7F312-024	6/16-24 JAM NUT	4	7P500-084	MALE TEE -8, -6, -6	1
7J312-000	5/16" FLAT WASHER-SAE	4	7P500-085	FITTING, -8 BULKHEAD w/O-RING	1
7U100-003	O-RING, -3	4	7P500-086	120° -8 TO 1/2" BARB	1
7U100-008	O-RING, -8	3	7P500-087	PLUG, AN -8 O-RING PORT	1
8M001-018	GASKET, 90mm THROTTLE BODY	1	7P500-089	FITTING, -8 BULKHEAD NUT, BLK	1
7C011-050	10-32 PLUG SCREW	1	7P500-377	AN-8 MALE SHORT -6 MALE STD	1
7U100-020	10-32 GASKET	1	7R001-006	#6 STNLS HOSE CLAMP	4
8M001-017	HOLLEY 4-BARREL BASE GASKET	2	7U030-046	5/32" VACUUM LINE	4.5
7P250-084	1/4"NPT x 1/2" x 90° BARB	1	7U032-016	3/8" EFI FUEL HOSE HI-PSR	2.5
8M110-069	ASY, THROTTLE '69 351 MUSTANG	1	7U100-008	O-RING, -8	3
2A017-031	SPACER, THROTTLE ENCL. .313"ID	1	8H040-020	FUEL FILTER, INLINE 3/8"	1
7C010-052	10-24 x 1/2" SS BHCS	6	8F001-120	FUEL PUMP, SBF CARB 120GPH, 6-PSI	1
7C010-077	10-24 x 3/4" SS BHCS	5	4PFX020-010	INSTALLATION INSTRUCTIONS, SBF CARB	1
7C010-187	3/16" ROD END RH WITH NUT	1	8H040-035	AIR FILTER, 3.5"FLG x 3.7"L OFFSET (NOVI 1200)	1
7C010-188	3/16" ROD END LH WITH NUT	1	814040-045	AIR FILTER 3.75"FLG x 5"L (NOVI 1500)	1
7C011-075	10-32 SCREW	1	008575	S/C STRT INFO PKG ASY PAXTON	1
7F010-001	NUT, THROTTLE	1	8M110-100	HOLLEY 4150 FLOAT BOWL LINE ASY	1
7F010-033	10-32 NUT	1	8M110-120	DEMON FLOAT BOWL LINE ASY w/FTGS	1
7J010-001	#10 FLAT WASHER	8		ADDITIONAL PARTS NEEDED FOR COMPLETE INSTALLATION	
7J010-687	WASHER, THROTTLE	1	1)	HOLLEY 4150 OR DEMON STYLE MECHANICAL SECONDARY CARBURETOR	
8M010-010	BRACKET, IDLE	1			
8M010-040	THROTTLE ARM INNER	2			
8M010-050	THROTTLE SHAFT	1			
8M010-070	RETAINER, SPRING ENCL.	1			
8M010-080	RETAINER, SPRING THROTTLE	1			
8M010-090	SPRING, THROTTLE ENCL.	1			
8M010-140	SHAFT, 5/16" HEX	1			
7C010-251	.25" BALL, THROTTLE, 10-24 MT THRD	1			
7F010-024	10-24 NYLOCK NUT	2			
8M010-025	MORSE CABLE BRKT	1			
8M010-180	BRKT, '69 MUSTANG THROTTLE	1			
4PFX110-060	MTG PLATE ASY, PASS'S, SIDE '69 351	1			
4PFX010-050	PRIMARY MTG PLATE	1			
4PFX010-060	S/C MTG PLATE	1			
2A017-101-400	SPACER, SBF MTG PLATE	2			
2A017-104-400	SPACER, 351 SBF MTG PLT	2			
2A017-101-121	SPACER, FORD ALTERNATOR	1			
7A375-500	3/8-16 x 5" HXHD GR8	3			
7A375-575	3/8-16 x 5.75" HXHD GR8 PLT	2			
7A375-126	3/8-16 x 1.25" HXHD GR8 PLT	6			
7A437-550	7/16-14 x 5-1/2" HXHD	1			
7K375-040	3/8"AN960 FLAT WASHER, PLATED	11			
4PFX130-351	OIL FEED LINE ASY, SBF CARB	1			
7P125-004	1/8"NPT x 90° x -4 JIC FTG	1			
7P250-034	1/4"NPT x 1/4"NPT STRT T	1			
7P250-250	1/4"NPT STR x -4 JIC FTG	1			
7U250-090-320	OIL FEED HOSE, 32" -4 x 90°	1			
7U100-055	TIE-WRAP, 6" NYLON	2			



1969 Mustang 351W Small Block Ford, Driver's Side Carbureted

Part No. 1001844 (NOVI1200) | Part No. 1001849 (NOVI 1500)

PARTS LIST

IMPORTANT: Before beginning installation, verify that all parts are included in the kit. Report any shortages or damaged parts immediately.

PART NO.	DESCRIPTION	QTY.	PART NO.	DESCRIPTION	QTY
1016123	S/C ASY, NOVI 1200, CW, CRV 1969	1	4PFX130-036	OIL DRAIN ASY, SBF CARB	1
1016129	S/C ASY, NOVI 1500, CW, CRV 1969	1	7P375-017	3/8"NPT x 1/2" BEADED HOSE BARB	1
2A038-370	S/C PULLEY Ø3.70" 8-GROOVE	1	7R001-008	#8 STNLS HOSE CLAMP	2
2A048-575	BELT, 57.5"	1	7U030-036	1/2" OIL DRAIN HOSE	1.5
4PFX117-069	S/C DRIVE ASY SBF, '69 351	1	4PFX112-031	AIR DISCHARGE ASY, SBF CARB	1
4FA111-042	S/C BELT TENSIONER ASY, H.O.	1	4PFX012-031	MACH, DISCH TUBE SBF CARB	1
4PFX017-069	SPACER, SBF C/P, '69 351	1	7PS350-200	SLEEVE, BLACK 3.5"ID x 2.0"LG	1
4PFX018-021	CRANK PULLEY, SBF CARB	1	7PS350-275	REDUCER, BLK 3.5" TO 2.75"	1
7A375-250	3/8-16 x GR8 HX	3	7R002-044	#44 SAE TYPE "F" SS HOSE CLAMP	1
7K375-040	3/8"AN960 FLAT WASHER, PLATED	3	7R002-056	#56 SAE TYPE "F" SS HOSE CLAMP	3
8PM205-012	CARB. ENCL ASY, SBF CARB	1	7U030-046	5/32" VACUUM LINE	2
8PM105-012	ENCL. MACH. ASY, SBF	1	8H040-175	FILTER, 1-3/4"ID MFRB	1
8PM003-051	CARB CVR, PAXTON	1	8D204-010	RACE BYPASS VALVE - BLACK	1
7P500-087	PLUG BTNHD, AN -8 WITH O-RING, BLK	3	4PFX101-001	FUEL ASY, SBF CARB	1
7A312-078	5/16-18 x 3/4" HOSE	16	7P125-016	1/8"NPT PLUG	1
7P187-102	FITTING, -3 TO 1/4" HOSE	3	7P250-043	1/4"NPT x 5/16" BARB	1
7P187-103	PLUG, -3 BUTTONHEAD WITH O-RING	1	7P250-047	1/4"NPT TO 3/8" BARB 90°	1
7P375-104	PLUG, OIL HOLE	3	7P250-141	-6 HOSE END, 90°	1
7A312-252	5/16" STUD	4	7P500-083	AN -8 HOSE END, STRAIGHT	1
7F312-024	6/16-24 JAM NUT	4	7P500-084	MALE TEE -8, -6, -6	1
7J312-000	5/16" FLAT WASHER-SAE	4	7P500-085	FITTING, -8 BULKHEAD WITH O-RING	1
7U100-003	O-RING, -3	4	7P500-086	120° -8 TO 1/2" BARB	1
7U100-008	O-RING, -8	3	7P500-087	PLUG, AN -8 O-RING PORT	1
8M001-018	GASKET, 90mm THROTTLE BODY	1	7P500-089	FITTING, -8 BULKHEAD NUT, BLK	1
7C011-050	10-32 PLUG SCREW	1	7P500-377	AN-8 MALE SHORT -6 MALE STD	1
7U100-020	10-32 GASKET	1	7R001-006	#6 STNLS HOSE CLAMP	4
8M001-017	HOLLEY 4-BARREL BASE GASKET	2	7U030-046	5/32" VACUUM LINE	4.5
7P250-084	1/4"NPT x 1/2" x 90° BARB	1	7U032-016	3/8" EFI FUEL HOSE HI-PSR	2.5
8M110-069	ASY, THROTTLE '69 351 MUSTANG	1	7U100-008	O-RING, -8	3
2A017-031	SPACER, THROTTLE ENCL. .313"ID	1	8H040-020	FUEL FILTER, INLINE 3/8"	1
7C010-052	10-24 x 1/2" SS BHCS	6	8F001-120	FUEL PUMP, SBF CARB 120GPH, 6-PSI	1
7C010-077	10-24 x 3/4" SS BHCS	5	4PFX020-010	INSTALLATION INSTRUCTIONS, SBF CARB	1
7C010-187	3/16" ROD END RH WITH NUT	1	8H040-035	AIR FILTER, 3.5"FLG x 3.7"LG OFFSET (NOVI 1200)	1
7C010-188	3/16" ROD END LH WITH NUT	1	814090-045	AIR FILTER, 3.75"FLG x 5"LG (NOVI 1500)	1
7C011-075	10-32 SCREW	1	008575	S/C STRT INFO PKG ASY PAXTON	1
7F010-001	NUT, THROTTLE	1	8M110-100	HOLLEY 4150 FLOAT BOWL LINE ASY	1
7F010-033	10-32 NUT	1	8M110-120	DEMON FLOAT BOWL LINE ASY w/FTGS	1
7J010-001	#10 FLAT WASHER	8			
7J010-687	WASHER, THROTTLE	1			
8M010-010	BRACKET, IDLE	1			
8M010-040	THROTTLE ARM INNER	2			
8M010-050	THROTTLE SHAFT	1			
8M010-070	RETAINER, SPRING ENCL.	1			
8M010-080	RETAINER, SPRING THROTTLE	1			
8M010-090	SPRING, THROTTLE ENCL.	1			
8M010-140	SHAFT, 5/16" HEX	1			
7C010-251	.25" BALL, THROTTLE, 10-24 MT THRD	1			
7F010-024	10-24 NYLOCK NUT	2			
8M010-025	MORSE CABLE BRKT	1			
8M010-180	BRKT, '69 MUSTANG THROTTLE	1			
4PFX110-050	MTG PLATE ASY, DRIVER'S SIDE '69 351	1			
4PFX010-050	PRIMARY MTG PLATE	1			
4PFX010-060	S/C MTG PLATE	1			
2A017-101-475	SPACER, SBF MTG PLATE DS	4			
2A017-101-121	SPACER, FORD ALTERNATOR	1			
7A375-650	3/8-16 x 6.5" HXHD GR8	2			
7A375-575	3/8-16 x 5.75" HXHD GR8 PLT	2			
7A375-126	3/8-16 x 1.25" HXHD GR8 PLT	6			
7A437-650	7/16-14 x 6.5" HXHD	1			
7K375-040	3/8"AN960 FLAT WASHER, PLATED	10			
4PFX130-026	OIL FEED LINE ASY, SBF CARB	1			
7P125-004	1/8"NPT 90° x -4 JIC FTG	1			
7P250-034	1/4"NPT x 1/4"NPT STRT T	1			
7P250-250	1/4"NPT STR x -4 JIC FTG	1			
7U250-090-240	OIL FEED HOSE, 24" x -4 x 90°	1			
7U100-055	TIE-WRAP, 6" NYLON	2			

ADDITIONAL PARTS NEEDED FOR COMPLETE INSTALLATION
1) HOLLEY 4150 OR DEMON STYLE MECHANICAL SECONDARY CARBURETOR

Section 1

INTRODUCTION

Congratulations! You have purchased the finest street Supercharger available. The centerpiece of this kit is the highly efficient and reliable Paxton Automotive Corp. NOVI-1200 supercharger. A mechanically driven (by belt) centrifugal blower (*supercharger*).

This kit comes with all of the parts you'll need for a successful installation. The operations required have been grouped in order of sequence. Photos and drawings accompany the text, allowing quick orientation and parts identification.

Installation requires a selection of tools which are listed in a table at the end of this section.

We also suggest that you obtain a shop manual and become familiar with the details of your cars systems. For best results follow the instructions closely and in sequence. The average installation time for this kit is six hours. Your actual installation time will depend on skill level and working conditions. The estimate does not include time for initial vehicle inspection, cleaning, fine tuning or troubleshooting. Before even picking up a wrench, read this entire manual. We are available for technical assistance at (805) 604-1336, 7am-3:30pm pacific time.

After reading the manual, verify that all major assembly groups are present in the main kit box. You should have ample space to layout the components. As you remove a box or bag from the main kit, note the identification label and compare it with the parts list. Please check the box for small parts.

Paxton makes every effort to insure that all parts are included in the box. However, if you discover any missing or mislabeled parts, please contact Paxton by phone for service.

***** WARNING *****

DO NOT attempt installation if any part(s) are missing from this kit. Failure to contact Paxton prior to beginning installation will result in a charge for any missing parts.

Before starting the installation, we suggest your engine compartment be clean. You can clean the engine and compartment with a pressure washer (*such as those used at self serve car washes*) and a safe-for-aluminum

cleaner/degreaser. Cover the distributor with a plastic bag to prevent water from entering.

***** CAUTION *****

We do not recommend proceeding with the kit installation unless your vehicle is within normal operating parameters.

You are undoubtedly enthusiastic about getting started on your project, but take just a little more time to insure that your safety is not jeopardized. A moment's lack of attention can result in an accident, as can failure to observe certain simple safety precautions. The possibility of an accident will always exist, and the following points should not be considered a comprehensive list of all dangers. Rather, they are intended to make you aware of the risk and to encourage a safety conscious approach to all work you do on your vehicle. We look forward to hearing from you, particularly if you have any comments or suggestions regarding this manual at:

(805) 604-1336

Paxton Automotive Corporation
1300 Beacon Place
Oxnard, CA 93033

E-mail Address info@paxtonauto.com.

***** NOTE *****

Throughout these procedures the word "discard" is used periodically in relationship to items that will no longer be utilized in conjunction with the supercharger installation. It is recommended that these items be saved for future use should it become necessary.

- Never rely solely on a jack when working under a vehicle. Always use an approved set of jackstands to support the vehicle and place them under the recommended lift points.
- When jacking a vehicle, make sure it is on a level surface, preferably concrete or asphalt. The transmission should be in “PARK” or “FIRST”, the parking brake engaged and the wheels blocked.
- Never start the car without first verifying that the transmission is in neutral and the parking brake is set.
- Never remove the radiator cap while the engine is hot.
- Always wear eye protection when using power tools such as drills, saws, grinders, etc., or when working under a vehicle.
- Never smoke, use an open flame, or have spark-producing items around gasoline or flammable solvents. Always have a fire extinguisher rated for chemical and electrical fires handy when working on motor vehicles.
- Run engines only in well ventilated areas. Carbon monoxide, gasoline, and solvent vapors are colorless and sometimes odorless. These can asphyxiate or explode without warning.
- Always disconnect at least the negative (-) or ground terminal of the battery when doing any electrical, fuel system, or underdash work.

Paxton Automotive makes every effort to insure that all parts are included in the box, but mistakes do occur. If you discover that you are missing any part, or that a part is damaged in transit, please call Paxton Automotive for service. DO NOT attempt installation if any part(s) are missing from this kit. Failure to contact Paxton prior to beginning installation will result in a charge for any missing parts.

We look forward to hearing from you, particularly if you have any comments or suggestions regarding this manual.

Section 2

PREPARATION/REMOVAL

2.1 PREPARATION/REMOVAL

- A. Disconnect the negative lead from the battery.
- B. Loosen all nuts and bolts that are used to tension the alternator and power steering pump V-belts.
- C. Remove all of the belts from the accessories.
- D. Remove the stock crank pulley and accessories from the side of the engine that the supercharger will be installed on.

***** NOTE *****

If you have not changed spark plugs in the last 15,000 miles do so prior to the installation of this kit.

- E. If the ignition coil is mounted on top of the intake manifold, it will need to be relocated to the front of the engine for carburetor enclosure clearance.

***** NOTE *****

If you are installing a universal supercharger kit, some of the following instructions may not apply or may require custom fabrication.

This Page Left Intentionally Blank

Section 3

OIL FEED INSTALLATION

3.1 OIL FEED INSTALLATION

- A. The supercharger uses engine oil for lubrication and must have an oil feed line connected to a filtered oil access on the engine.
- B. Remove the 1/4"NPT oil pressure sending unit from the fitting installed in the engine block (*just above the factory fuel pump*). Install the supplied 1/4"NPT street TEE in the factory fitting. Install the oil pressure sender in one of the openings and the supplied 1/4"NPT x -4 fitting in the other. (See Fig. 3-a.)

*** NOTE ***

Use clean engine oil on the pipe threads. Teflon tape and sealant is NOT recommended as it might loosen and cause blockage of the small oil feed orifice resulting in supercharger failure.

- C. Attach the 90° end of the supplied -4 braided oil feed line to the installed fitting. (See Fig. 3-a.) Secure the hose with the tie-wraps provided, routing it away from exhaust heat, chafing and/or sharp objects. Temporarily cover the open end from debris until the connection is made to the supercharger.



Fig. 3-a

This Page Left Intentionally Blank

Section 4

OIL DRAIN INSTALLATION

4.1 OIL DRAIN INSTALLATION

- A. To provide an oil drain for the supercharger, it is necessary to make a hole in the oil pan. Locate and mark the hole location. (See *Figs. 4-a or 4-b*, depending on which side of the engine the supercharger is mounted on). It is best to punch the hole rather than drill.

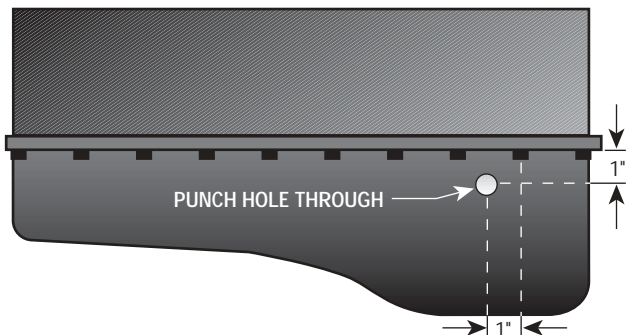


Fig. 4-a
Passenger side oil drain

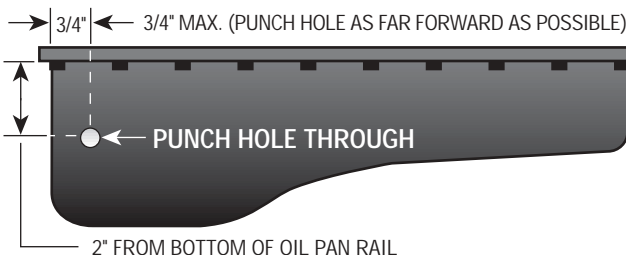


Fig. 4-b
Driver side oil drain

*** NOTE ***

Removal of the oil pan may ease oil drain fitting installation on some applications.

- D. Tap the hole with a 3/8"NPT tap approximately 1/4" deep. Pack the flutes of the tap with heavy grease to hold the chips. Use a small magnet to check for any stray chips.

*** NOTE ***

This method of rolling over the lip of the hole and tapping works very well if carefully done and should cause no problems.

- E. Thoroughly clean the threaded area. Apply a small amount of silicone sealer to the new threads. Apply more sealer to the supplied 3/8"NPT x 1/2" barb, and secure in the previously threaded hole. Make sure a seal is formed all around the fitting.
- F. Drain the engine oil, install a new filter and refill with fresh oil.

- B. Remove any paint from around the hole area.
- C. Use a small center punch to perforate the pan and expand the hole, switch to a larger diameter punch and expand the hole further to approximately $\text{Ø}9/16$ ". Most punches are made from hexagon material and may be placed in a socket with an extension to make this procedure easier. Use caution so that the hole is not enlarged too much and that the punch does NOT contact the engine internals.

This Page Left Intentionally Blank

Section 5

FUEL PUMP BOOST REFERENCE

5.1 FUEL PUMP BOOST REFERENCE

Some kits come with a boost referenced fuel pump. For these kits, simply install the fuel pump and complete steps “E” to “G”.

***** NOTE *****

A stock fuel pump may be satisfactory for mild engines. The following steps will allow the mechanical pump to increase fuel pressure in proportion to boost pressure. (I.E.: stock fuel pressure = 5 psi @ 0 psi boost / supercharged fuel pressure = 12 psi @ 7 psi boost.) If fuel pressure is not maintained at least 4 psi above boost pressure, replace the stock fuel pump with a higher flow unit. (Paxton P/N: 8F001-120.)

- A. Remove the fuel lines from the fuel pump.
- B. Remove the fuel pump.
- C. Drill and tap the vent hole located in the side of the fuel pump. 1/16"NPT, use Ø.246" drill before tapping. Install a 1/16"NPT to 3/16" hose barb fitting (P/N: 7P062-187) into the tapped hole.

***** NOTE *****

If the fuel pump has two vent holes, plug the remaining hole with a pipe plug.

- D. Re-install the boost-referenced fuel pump.
- E. Attach the supplied vacuum hose to the barb fitting on the fuel pump. (See Fig. 5-a.) The other end of this hose will later be connected to the carburetor enclosure.
- F. Re-attach the fuel supply line.
- G. Attach the supplied 3/8" fuel line from the fuel pump outlet to the fuel filter and then route up to where the carburetor enclosure will be installed. Install and tighten the supplied hose clamps on all connections.

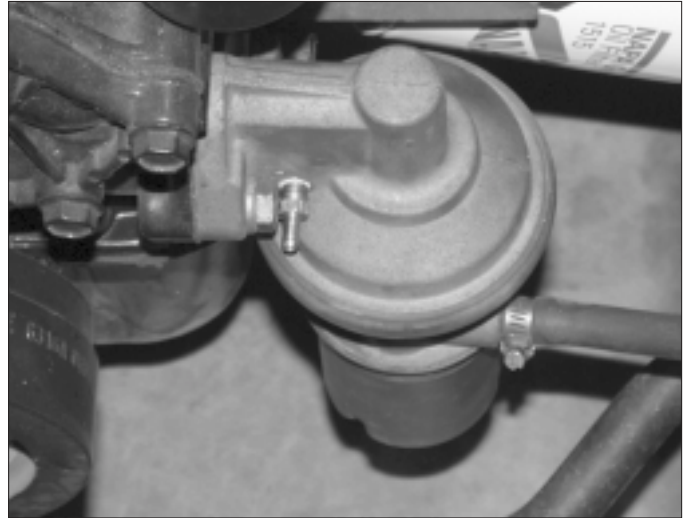


Fig. 5-a

This Page Left Intentionally Blank

Section 6

MOUNTING BRACKET/SUPERCHARGER INSTALLATION

6.1 MOUNTING BRACKET/SUPERCHARGER INSTALLATION

- A. Clean the front of the cylinder head so that the mounting plate will sit flat when installed.
- B. Install the primary mounting plate using a 1-1/4" bolt in the hole closest to the center of the engine.
- C. Install one of the supplied 3/8" diameter long bolts through the supercharger mounting plate, a long spacer, the primary mounting plate and into the top outside hole in the head. (See Figs. 6-a, 6-b for passenger's side mount and Figs. 6-c, 6-d for driver's side mount.)
- D. Install the remaining spacers and appropriate length bolts with washers to connect the supercharger mounting plate to the primary mounting plate and the head.

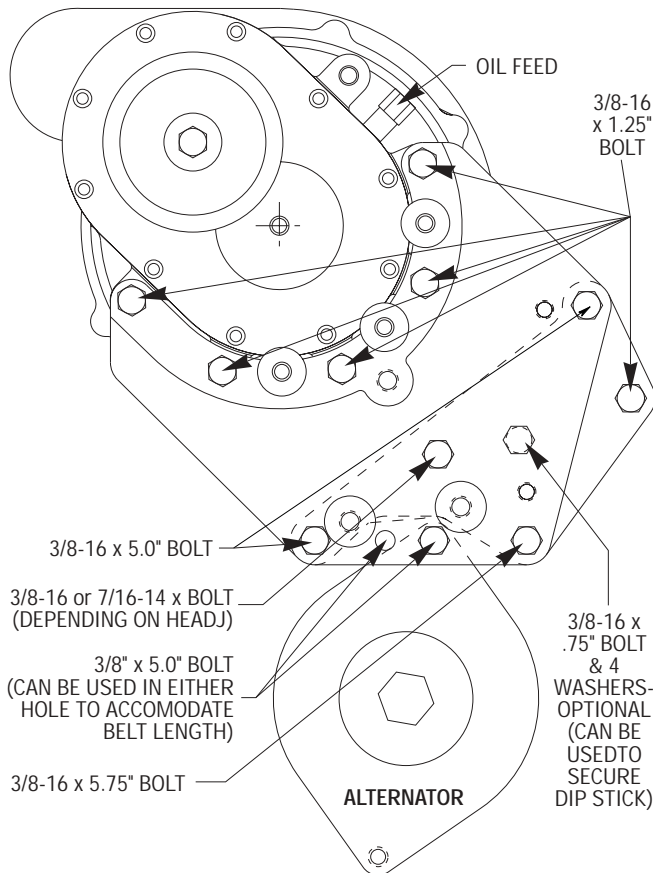


Fig. 6-a / Passenger side supercharger mount.
('64-'68 Mustang)

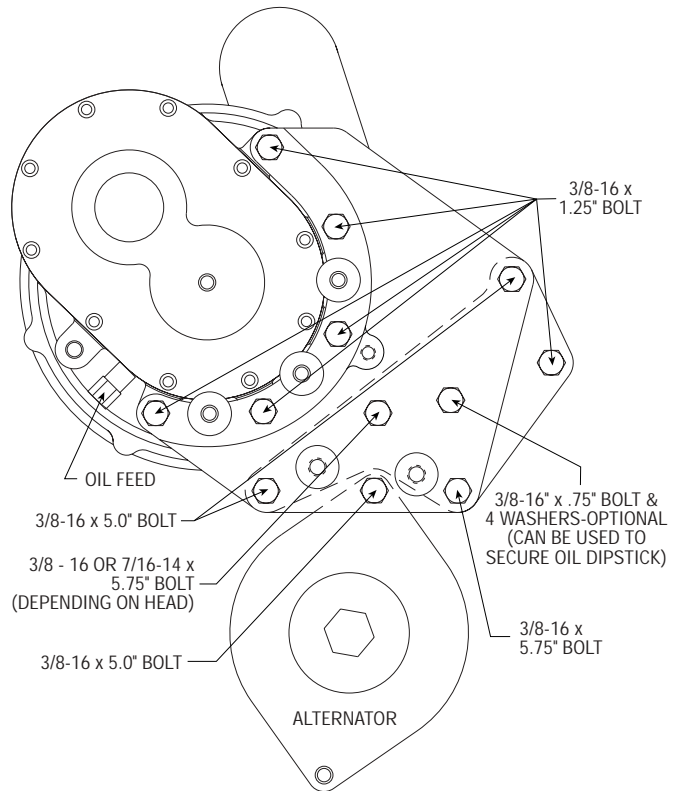


Fig. 6-b / Passenger side supercharger mount
('69 Mustang)

- E. For passenger side installations, install a 3/8" x 5" bolt through the supercharger mounting plate, the alternator pivot boss, the supplied spacer and into the primary mounting plate.

6.2 SUPERCHARGER INSTALLATION

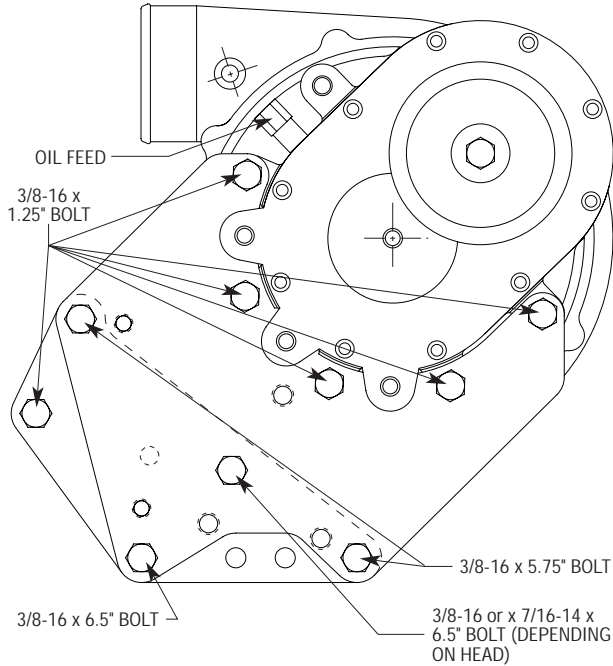


Fig. 6-c / Driver side supercharger mount.
(‘64-‘68 Mustang)

- A. Attach the oil drain line to the supercharger and secure using one of the #8 hose clamps provided.
- B. Lower the supercharger onto the mounting plate installed on the engine.
- C. Loosely start the 3/8" x 1-1/4" bolts through the mounting plate and into the supercharger gear case. Tighten in steps. (See Figs. 6-a, 6-d.)

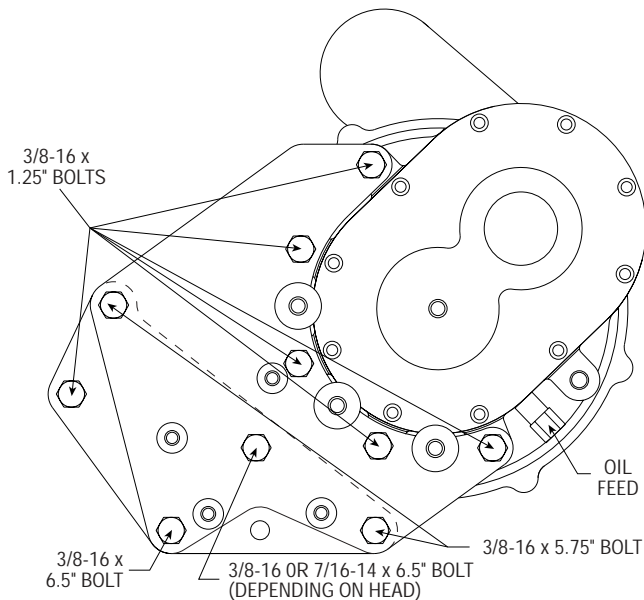


Fig. 6-d / Driver side supercharger mount.
(‘69 Mustang)

- D. Attach the oil drain line to the fitting previously installed in the oil pan and secure using the supplied #8 hose clamp.
- E. Install the 1/8"NPT x -4 x 90° fitting into the oil feed fitting using oil to lubricate the threads. Attach the oil feed hose to this fitting and tighten. (See Fig. 6-e.)

***** NOTE *****

Some applications (depending on intake manifold height) may require the relocking of the supercharger volute. If relocking is required for your application, loosen and remove the six 1/4-20 cap screws and retaining plates that hold the compressor housing (volute) to the gearcase. If the compressor housing does not rotate freely relative to the gearcase, **DO NOT FORCE IT. SERIOUS SUPERCHARGER DAMAGE MAY OCCUR.** The machined mating surfaces are designed to prevent pressurized air from escaping and have minimal tolerances. If the housing will not move or is very tight, contact Paxton Automotive immediately at 888 9-paxton and ask our service department for further assistance.

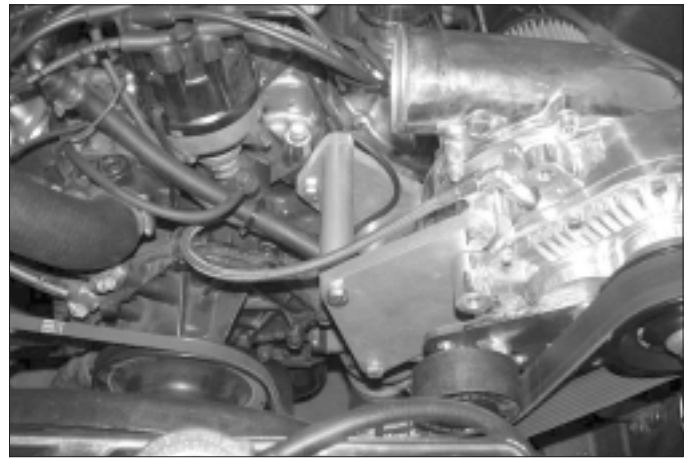


Fig. 6-e / Driver side oil feed shown,
passenger's side similar. (‘64-‘68 Mustang)

Section 7

CRANK PULLEY AND SUPERCHARGER DRIVE PULLEY INSTALLATION

7.1 CRANK PULLEY AND SUPERCHARGER DRIVE PULLEY INSTALLATION

*** NOTE ***

Stock water pump pulleys are approximately 5.7" in diameter (1965 Mustang). Larger pulleys may need to be replaced.

- A.** If the original crank pulley was secured using three bolts, install the supplied crank pulley and spacer using the correct bolt pattern. If the original crank pulley was secured with four bolts, mount the supplied crank pulley directly onto the damper face.

*** NOTE ***

Some supplied crank pulleys may have multiple bolt patterns to fit different applications. Be sure to select the bolt pattern that matches the stock crank pulley.

- B.** Select from the supplied bolts to get 1/2" to 3/4" thread engagement into the balancer.

- C.** Seat the crank pulley in the balancer pilot and tighten the bolts in stages to factory specs.

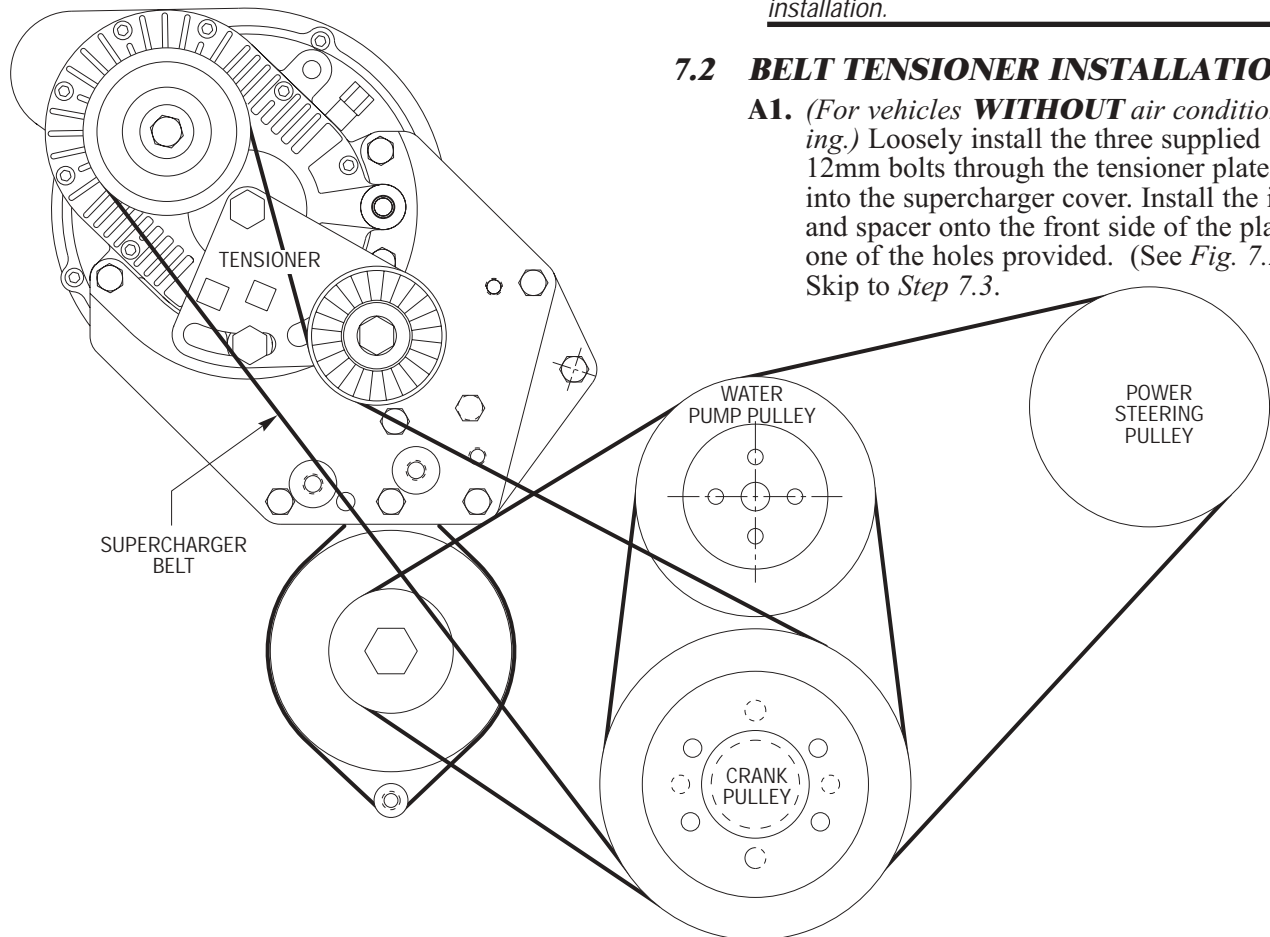
*** NOTE ***

Check the vehicle for radiator fan to crank pulley clearance. If there is interference either space fan forward or replace with a low profile electric fan.

- D.** If the supercharger did not come with a pulley already installed, lightly grease the supercharger input shaft and/or the supercharger drive pulley bore. Install the pulley onto the supercharger input shaft and rotate the pulley to align the keyways. Slide the square key into the keyway. Install the pulley retainer assembly into the input shaft and hand tighten.

*** NOTE ***

If the supercharger drive pulley will not slide onto the shaft DO NOT FORCE IT. Light heating of the supercharger drive pulley with a propane torch will aid in installation.



7.2 BELT TENSIONER INSTALLATION

- A1.** (For vehicles **WITHOUT** air conditioning.) Loosely install the three supplied 12mm bolts through the tensioner plate and into the supercharger cover. Install the idler and spacer onto the front side of the plate in one of the holes provided. (See Fig. 7.2-a.) Skip to Step 7.3.

Fig. 7.2-a / Passenger Side Supercharger Belt Routing (Driver Side Similar)

- A2.** (For vehicles **WITH** air conditioning.)
Install the belt tensioner plate onto the supercharger mounting plate using the supplied 1.351" spacers and 7/16" bolts. Mount the idler and spacer on the front side of the tensioner plate in one of the two holes provided.
- B.** Remove the factory water pump pulley and install the supplied water pump pulley.
- C.** For vehicles without a factory A/C belt tensioner on the compressor mounting bracket, remove the support that attaches the compressor body to the water pump housing (*all others may use the factory belt tensioner*). Install the supplied mounting blocks on the compressor. Connect the supplied tensioner plate to the mounting blocks and to the

water pump housing using the supplied bolts and spacers. Tighten all fasteners. Install the supplied smooth idler assembly into the slot in the plate. Leave the assembly loose so that it can be tensioned after the belt is installed.

7.3 BELT INSTALLATION

- A.** Install the power steering, alternator, air conditioning and supercharger drive belts and tension each. (*Do not over-tension the supercharger drive belt. Press down firmly on the idler while tightening the three tensioner plate bolts*).
- B.** Tighten the supercharger pulley retainer assembly to 30-35 ft/lbs if pulley was not installed at Paxton.

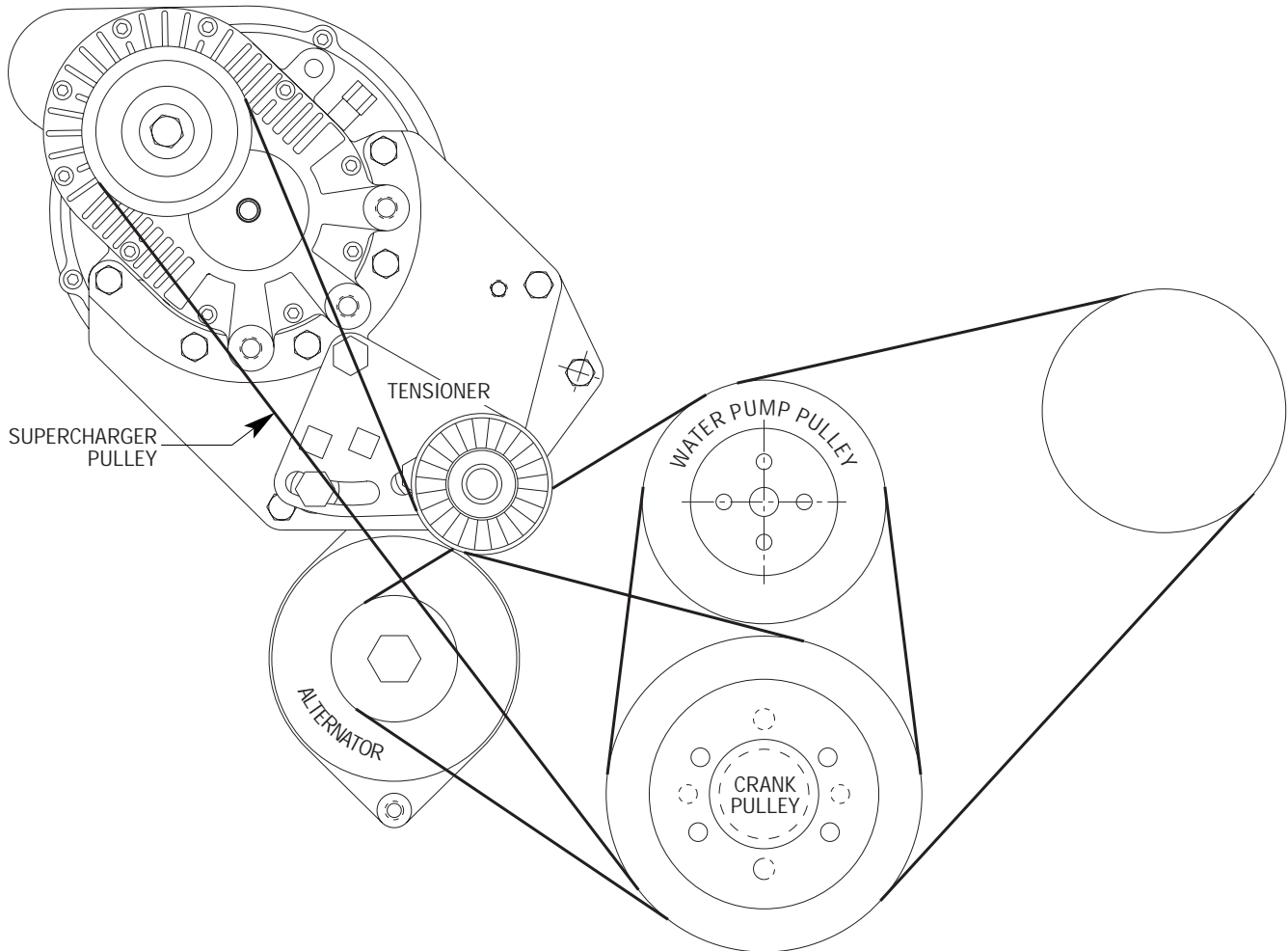


Fig. 7.2-a / Belt Routing With A/C

Section 8

CARBURETOR ENCLOSURE INSTALLATION

8.1 CARBURETOR ENCLOSURE INSTALLATION

*** NOTE ***

Due to the many possible configurations of intake manifolds (with regard to carburetor flange height) a carburetor spacer may be required to obtain the necessary height for proper supercharger and discharge duct alignment. If hood interference is a problem, a lower profile intake manifold may be required.

- A. Install the carburetor enclosure included in this kit by first relieving the fuel pressure in the system.
- B. Remove the carburetor from the intake manifold and thoroughly clean the intake manifold carburetor flange. Remove any throttle linkage brackets from the intake manifold.
- C. Thread the four supplied carburetor flange studs into the intake manifold and install one of the supplied gaskets.

*** NOTE ***

If possible, connect the PCV valve hose to a vacuum source on the intake manifold. If no source is available, connect to the 1/4"NPT hole in back of the enclosure.

- D. Install the lower part of the carburetor enclosure over the studs until it sits flat on the intake manifold.
- E. Install the other carburetor gasket over the studs until it sits flat on the carburetor enclosure carburetor mounting surface.
- F. With the carburetor in a suitable work area, bend the damper tab on the main throttle arm (if equipped) until it is flat. (See Figs. 8-a, 8-b, 8-c.)
- G. Install the throttle nut through the large hole on the outside of the throttle arm. Using a 10-24 cap screw inserted through a rod end and the #10 fender washer, thread into the throttle nut and tighten. (See Figs. 8-d, 8-e.)

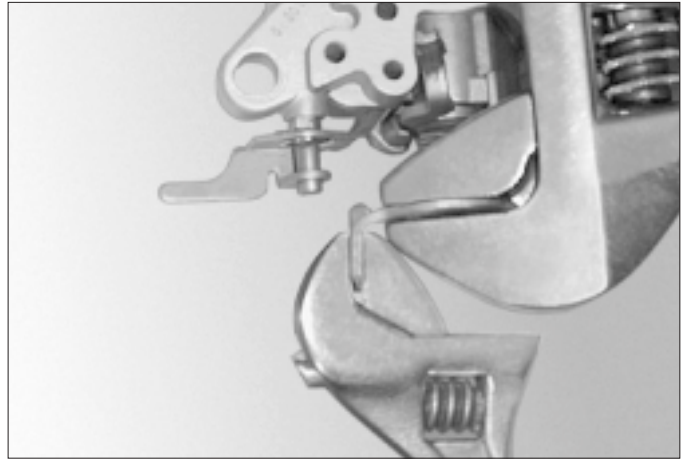


Fig. 8-a

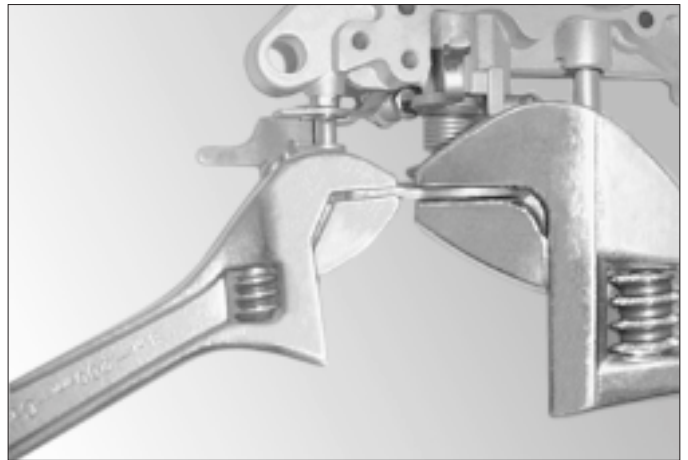


Fig. 8-b

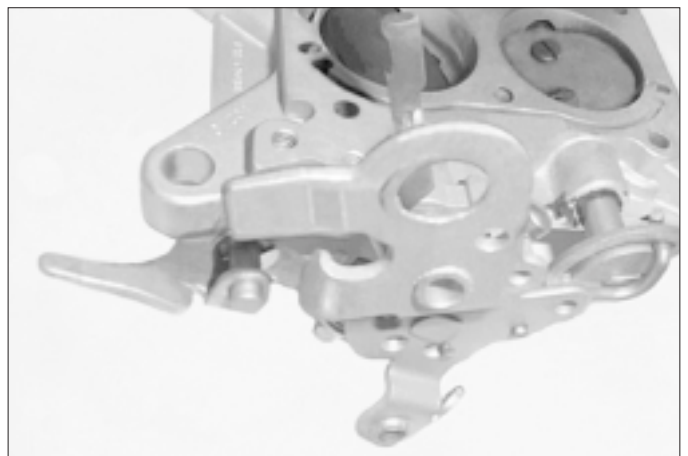


Fig. 8-c



Fig. 8-d

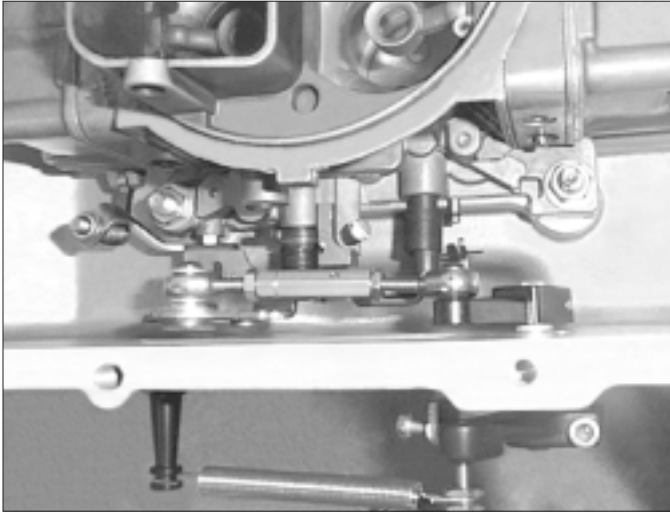


Fig. 8-e

- I.** Install the idle bracket on the outside of the enclosure using two 1/2" screws. (See Fig. 8-h.) Install the supplied 10-32 jam nut on the 1" 10-32 screw and insert into the idle bracket. Alternatively, the idle can be adjusted at the carburetor before the enclosure cover is installed.
- J.** With the one armed throttle arm on the inside of the enclosure, insert the splined shaft through the throttle bushing on the side of the carburetor enclosure.
- K.** Install the large brass spacer over the splined shaft until it rests flat against the outside of the enclosure. (See Fig. 8-h.) Line up the remaining throttle arm with the inner throttle arm and slide onto the splined shaft.

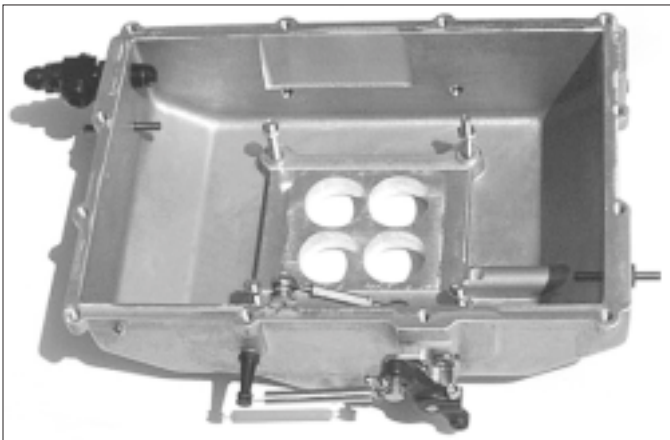


Fig. 8-f

- H.** Install two of the brass plugs in each side of the carburetor enclosure. (See Fig. 8-g.)

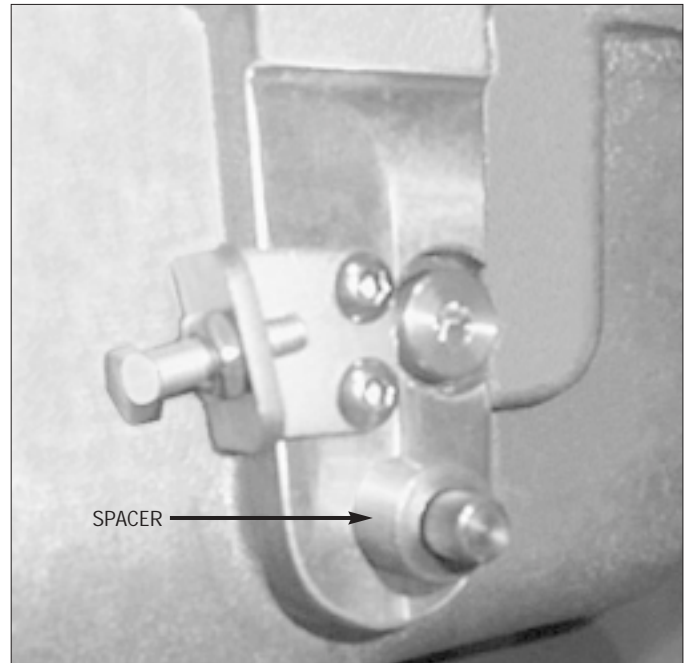


Fig. 8-h

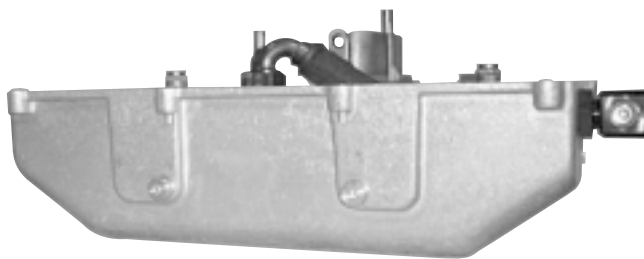


Fig. 8-g

- L.** Tighten the clamp screws on both of the throttle arms. Rotate the throttle linkage to verify free movement. If drag is felt, adjust the distance between the two throttle arms.
- M.** Install the remaining rod end on the outer hole on the inside of the inside throttle arm and tighten screw.
- N.** Install the carburetor over the carburetor studs until it sits flat on the gasket. Install the four 5/16" nuts and washers on the studs and tighten. Make sure unused vacuum ports on the carburetor are plugged.

- O.** With a jam nut installed on each rod end, install the 5/16" coupler shaft between the two rod ends. Adjust the coupler until the angle of the carburetor enclosure throttle arm matches that of the carburetor throttle arm.
- P.** Install the fuel lines on the carburetor (See Fig. 7-i.) as follows:



Fig. 8-i

1. Install the -8 bulkhead nut and O-ring on the bulkhead fitting.
 2. Thread the bulkhead fitting into the front hole in the carburetor enclosure.
 3. Install the fuel lines into the carburetor bowls loosely.
 4. Connect the free end of each fuel line to the -8/-6/-6 TEE.
 5. Install the -8 straight hosebarb fitting on the inside of the bulkhead fitting. Install the -8 120° fitting on top of the TEE.
 6. Measure and cut the supplied pushlock hose so that it will fit well between the two installed barb fittings.
 7. Remove the barbed fittings, coat the barbs with grease, and fully insert the barbed fittings in the hose.
 8. Install the fuel hose assembly and tighten all of the fuel line connections.
- Q.** Hose connections to the carburetor enclosure will vary widely depending on the application. All holes that are not used should be plugged with the supplied -3, -8 and 1/4"NPT plugs.

*** NOTE ***

All -3 and -8 fittings should have an O-ring installed before using.

- R.** Connect the hose previously attached to the small barb fitting on the fuel pump to a -3 bulkhead fitting in the enclosure. Leave the

bulkhead fitting open on the inside of the enclosure.

- S.** For Mustangs, use the model specific external throttle linkage. All other applications must have a suitable throttle actuation assembly fabricated.
 1. *1964-1968 Mustang:* Install the supplied 2" tapered spacer onto the factory throttle arm using the supplied 3/8-16 screw with two washers under the head. With a rod end in each end, install the supplied 6" throttle shaft. (See Fig. 8-j.)

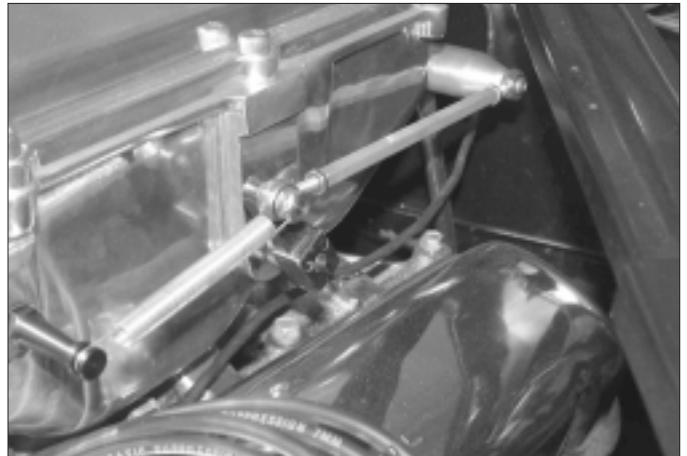


Fig. 8-j

2. *1969 Mustang:* Install the supplied throttle bracket onto the rear of the enclosure using two 10-24 x .5" screws. Install the L-bracket onto the throttle bracket using two 10-24 x .5" screws and nuts. Install the throttle cable in the factory manner through the "L" bracket and attach to the throttle arm using the supplied ball mount. (See Fig. 8-k.)



Fig. 8-k

- T. Install the throttle return spring.
- U. Check for full throttle by pressing the accelerator to the floor and verifying that the carburetor butterflies open fully.
- V. If possible, pressurize the fuel system and check for leaks.
- W. Using the supplied 5/16" cap screws, install the top cover on the enclosure and tighten the screws.
- X. Use the supplied hardware to plug any open holes in the carburetor enclosure and cover.

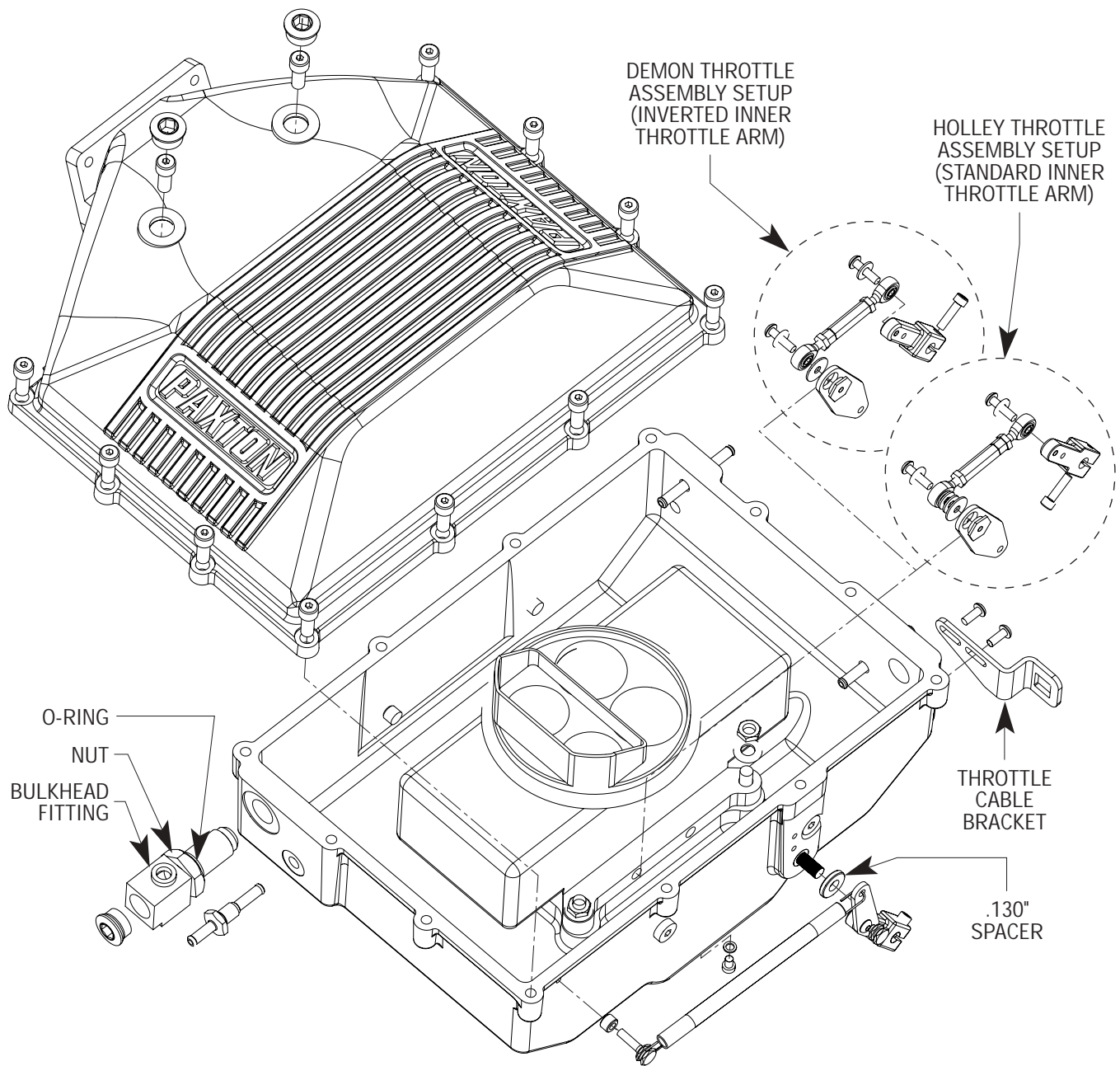


Fig. 8-1 / Carburetor enclosure
(64-68 Mustang shown)

Section 9

AIR DUCTING INSTALLATION

9.1 AIR DUCTING INSTALLATION

- A. Install the supplied air filter onto the supercharger inlet. Orient for maximum clearance and tighten clamp.
- B. Install the four-bolt flange adapter and gasket onto the enclosure cover using the 5/16-18 socket head cap screws.
- C. Install the correct sleeves and clamps on each end of the discharge duct. Slide one end of the discharge duct onto the supercharger and the other end onto the enclosure adapter.

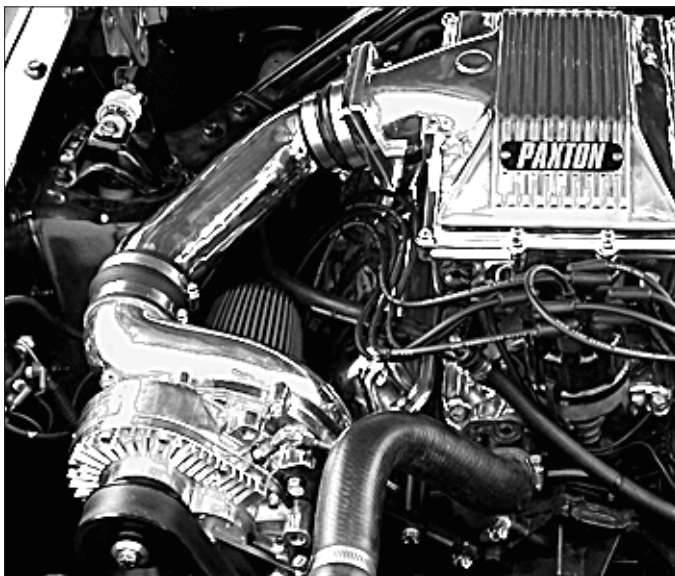


Fig 9-a / Passenger side discharge tube.
('64-'68 Mustang)



Fig 9-b / Driver side discharge duct.
('64-'68 Mustang)

*** NOTE ***

On applications where the discharge of the supercharger does not line up, try loosening the mounting bracket bolts that go into the head, re-position supercharger and tighten all bolts.



Fig 9-c / Passenger side discharge duct.
(1969 351 Mustang)



Fig 9-d / Driver side discharge duct
(1969 351 Mustang)

- D. Install the supplied bypass valve onto the discharge duct. Install the supplied filter onto the bypass valve discharge. Orient the bypass valve for maximum clearance (*check with hood closed*).

This Page Left Intentionally Blank

Section 10

FINAL RE-ASSEMBLY AND CHECK

10.1 FINAL REASSEMBLY AND CHECK

***** WARNING *****

Do not attempt to operate the vehicle until all components are installed and all operations are completed including final check.

- A.** Reconnect the battery.
- B.** If your vehicle has gone over 15,000 miles since its last spark plug change, you will need to change the spark plugs now before test driving the vehicle.
- C.** Check all fittings, nuts, bolts and clamps for tightness. Pay particular attention to oil and fuel lines around moving parts, sharp edges and exhaust system parts. Make sure all wires and lines are properly secured with clamps or tie-wraps.
- D.** Check all fluid levels, making sure that your tank(s) is filled with 91 octane or higher fuel before commencing test drive.
- E.** Start engine and allow to idle a few minutes, then shut off.
- F.** Recheck to be sure that no hoses, wires, etc. are near exhaust headers or moving parts and for signs of any fluid leakage. Re-jet the carburetor as required. Install a boost referenced high-performance mechanical fuel pump or high performance electric fuel pump with boost referenced fuel regulator. Check ignition timing to make sure it is properly set before commencing test drive.
- G. PLEASE TAKE SPECIAL NOTE:**

Operating the vehicle without all sub assemblies completely and properly installed and working may cause FAILURE OF MAJOR ENGINE COMPONENTS.
- H.** Keep in mind that this manual does not address air/fuel or ignition timing considerations. (See *Page iv*.)
- I.** Test drive the vehicle.
- J.** Read the Street Supercharger System Owner's Manual and RETURN THE Warranty REGISTRATION FORM within thirty (30) days of purchasing your supercharger system to qualify.



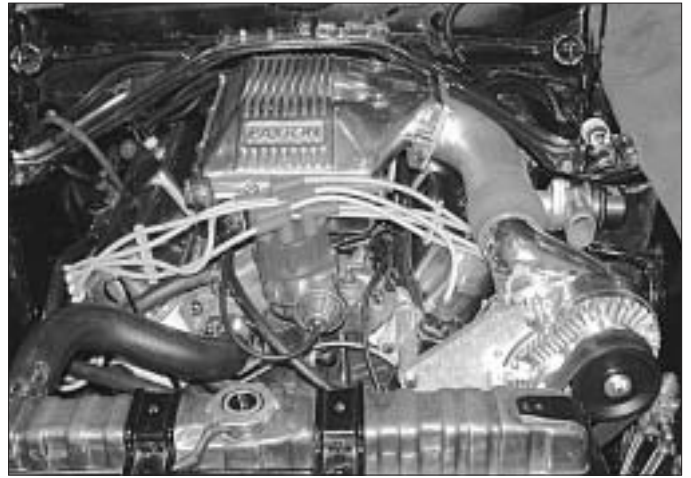
*Fig. 10-a / Passenger side installation.
('64-'68 Mustang)*



*Fig. 10-b / Driver side installation.
('64-'68 Mustang)*



*Fig. 10-c / Passenger side installation.
('69 351 Mustang)*



*Fig. 10-d / Driver side installation.
('69 351 Mustang)*



*Paxton Automotive . 1300 Beacon Place . Oxnard CA 93033
805 604-1336 • FAX (805) 604-1337*