

A Holley Performance Brand

NOS ROOTS-TYPE NITROUS SYSTEMS SUPERCHARGER SERIES

P/N 13350NOS & 02520NOS

A5118-SNOS

APPLICATIONS:

These kits are designed to work on highly modified domestic V-8 engines using 671 and 871 roots-type superchargers, with mechanical fuel injection or carburetion.

PERFORMANCE POTENTIAL:

These kits come with jetting that allows power gain to be easily adjusted to 225-250 HP. Typical power gains for the roots-type supercharger systems are as follows:

Nitrous/Fuel Jetting	Power Gain (BHP)
16/20*	80
20/24*	120
26/29	175
32/36*	200
36/38*	200+

*Not supplied with kits.

At the 200+ horsepower level, the Cheater nitrous solenoid is flowing at maximum capability. Increasing jetting sizes beyond this point will probably not result in any performance increase.

If performance greater than 200+ horsepower is desired, it is recommended that the roots-type supercharger plate system be upgraded with a Pro Shot nitrous solenoid. This will increase maximum power capability to 325+.

TUNING SUGGESTIONS:

The tuning combinations listed on the next page are for engines using a moderate amount of supercharger boost (5-10 psi). If attempting to use one of these systems with elevated boost, extreme care should be taken in arriving at proper ignition timing setting. Ignition timing will vary with engine combination, but you can expect at least 4°-8° less than the value recommended in these tables. When using kit P/N 02520NOS at higher power levels, gasoline of at least 116 octane is required.

Suggested Tuning Combinations for NOS Roots-Type Super Charger Systems—Kit P/N 02520NOS

Jetting N ₂ O/Fuel	Fuel Quality	Ignition Timing	Spark Plug Heat Range
16/20	100+ octane (R+M/2) racing fuel or 92+ octane pump gas with octane booster	2° ignition retard	Decrease heat range 1-2 steps
20/24	105 octane (R+M/2) racing fuel	4° ignition retard	Decrease heat range 2-3 steps
26/29	110+ octane (R+M/2) .74 or higher specific gravity racing fuel	6° ignition retard	Decrease heat range 3-4 steps
32/36	110+ octane (R+M/2) .74 or higher specific gravity racing fuel	6° ignition retard	Decrease heat range 3-4 steps
36/38	110+ octane (R+M/2) .74 or higher specific gravity racing fuel	6° ignition retard	Decrease heat range 3-4 steps

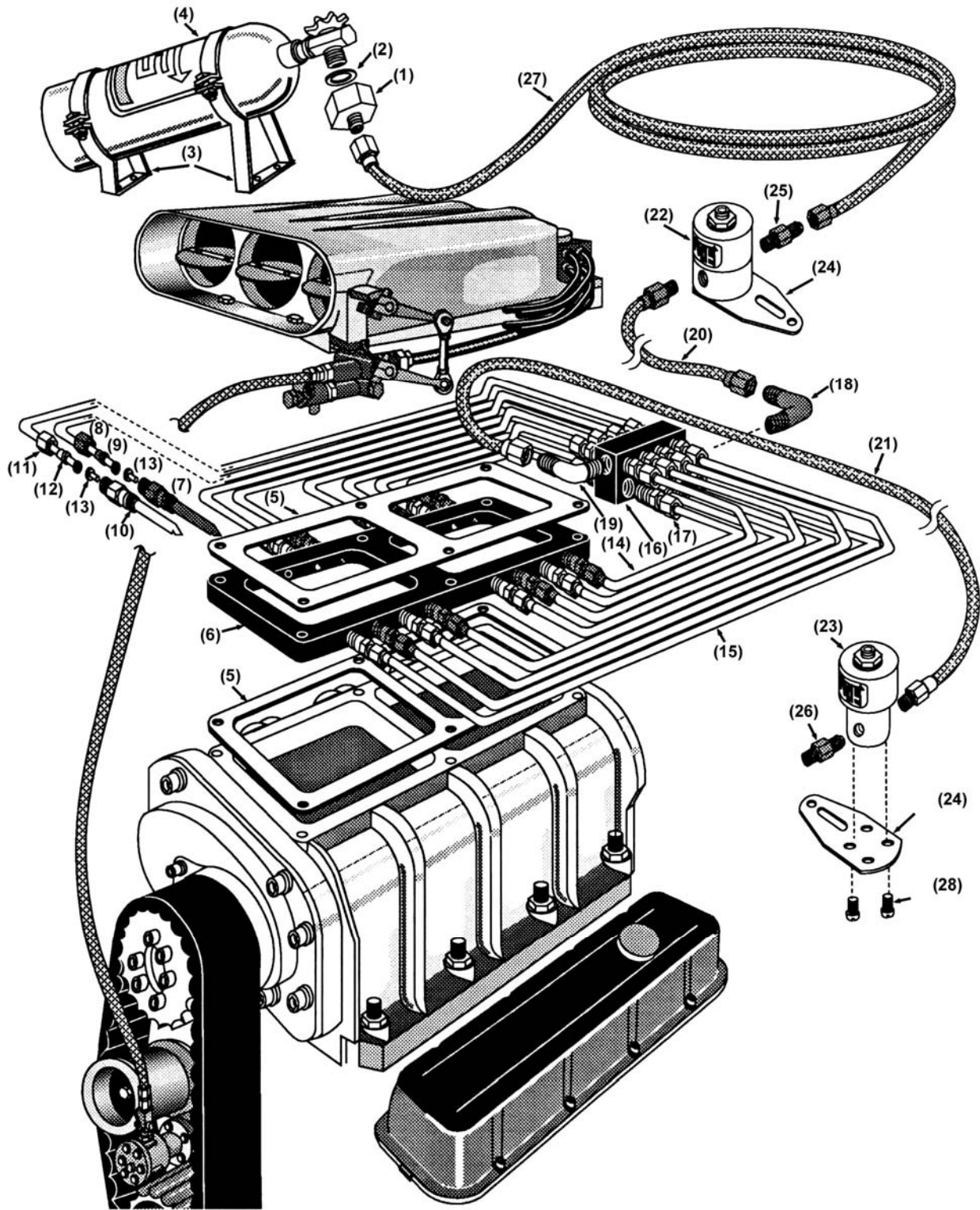
Kit Number 13350NOS—Parts List

Description	Quantity	NOS P/N
Injector Plate (includes the following:)	1	13350NOS
Fan Spray Nozzle (Blue)	8	13500NOS
3AN x 3/16" B-Nut (Blue)	8	17550NOS
3AN x 3/16" Sleeve (Blue)	8	17600NOS
Fan Spray Nozzle (Red)	8	13502NOS
3AN x 3/16" B-Nut (Red)	8	17551NOS
3AN x 3/16" Sleeve (Red)	8	17601NOS
Flare Jet	8	13750-26NOS
Flare Jet	8	13750-29NOS
3/16" x 16" Tube	8	16370-SNOS
3/16" x 24" Tube	8	16380-SNOS
1/8" NPT Distribution Block (2 In & 16 Out)	1	16750NOS
1/8" x 3/16" Compression Fitting	16	16433NOS
4AN x 1/8" NPT (Blue) 90° Adapter	1	17660NOS
4AN x 1/8" NPT (Red) 90° Adapter	1	17661NOS

Kit 02520NOS—Parts List

Item	Description	Quantity	NOS P/N
1	4AN-660 Bottle Nut Adapter	1	16220NOS
2	Teflon Bottle Nut Washer	1	16210NOS
3	Bottle Bracket Set (Metal)	1	14125NOS
4	10 lb. Nitrous Bottle	1	14745NOS
5	Injector Plate Gasket	2	13486-SNOS
6	Injector Plate (includes the following:)	1	13350NOS
7	Fan Spray Nozzle (Blue)	8	13500NOS
8	3AN x 3/16" B-Nut (Blue)	8	17550NOS
9	3AN x 3/16" Sleeve (Blue)	8	17600NOS
10	Fan Spray Nozzle (Red)	8	13502NOS
11	3AN x 3/16" B-Nut (Red)	8	17551NOS
12	3AN x 3/16" Sleeve (Red)	8	17601NOS
13	Flare Jet	8	13750-26NOS
	Flare Jet	8	13750-29NOS
14	3/16" x 16" Tube	8	16370-SNOS
15	3/16" x 24" Tube	8	16380-SNOS
16	1/8" NPT Distribution Block (2 In & 16 Out)	1	16750NOS
17	1/8" x 3/16" Compression Fitting	16	16433NOS
18	4AN x 1/8" NPT (Blue) 90° Adapter	1	17660NOS
19	4AN x 1/8" NPT (Red) 90° Adapter	1	17661NOS
20	4AN x 1/8" NPT Hose 2 ft. (Blue)	1	15230-1-SNOS
21	4AN x 1/8" NPT Hose 2 ft. (Red)	1	15230-2-SNOS
22	Cheater N ₂ O Solenoid	1	16000NOS
23	Cheater Fuel Solenoid	1	16050NOS
24	Solenoid Mounting Bracket (Cheater)	2	16500NOS
25	4AN x 1/4" NPT Nitrous Filter (Blue)	1	15560NOS
26	1/8" NPT Male x 1/8" Female Adapter	1	16784NOS
27	14 ft. 4AN Hose (Blue)	1	15295NOS
28	Solenoid Screw	4	16501-SNOS

Figure 1 Supercharged System Assembly Drawing—Mechanical Fuel Injection or Carburetion



Nitrous Oxide Systems, Inc.

Technical Support: 1-866-GOHOLLEY

Fax: 1-270-781-9772

For online help, please refer to the Tech Service section of our website: www.holley.com