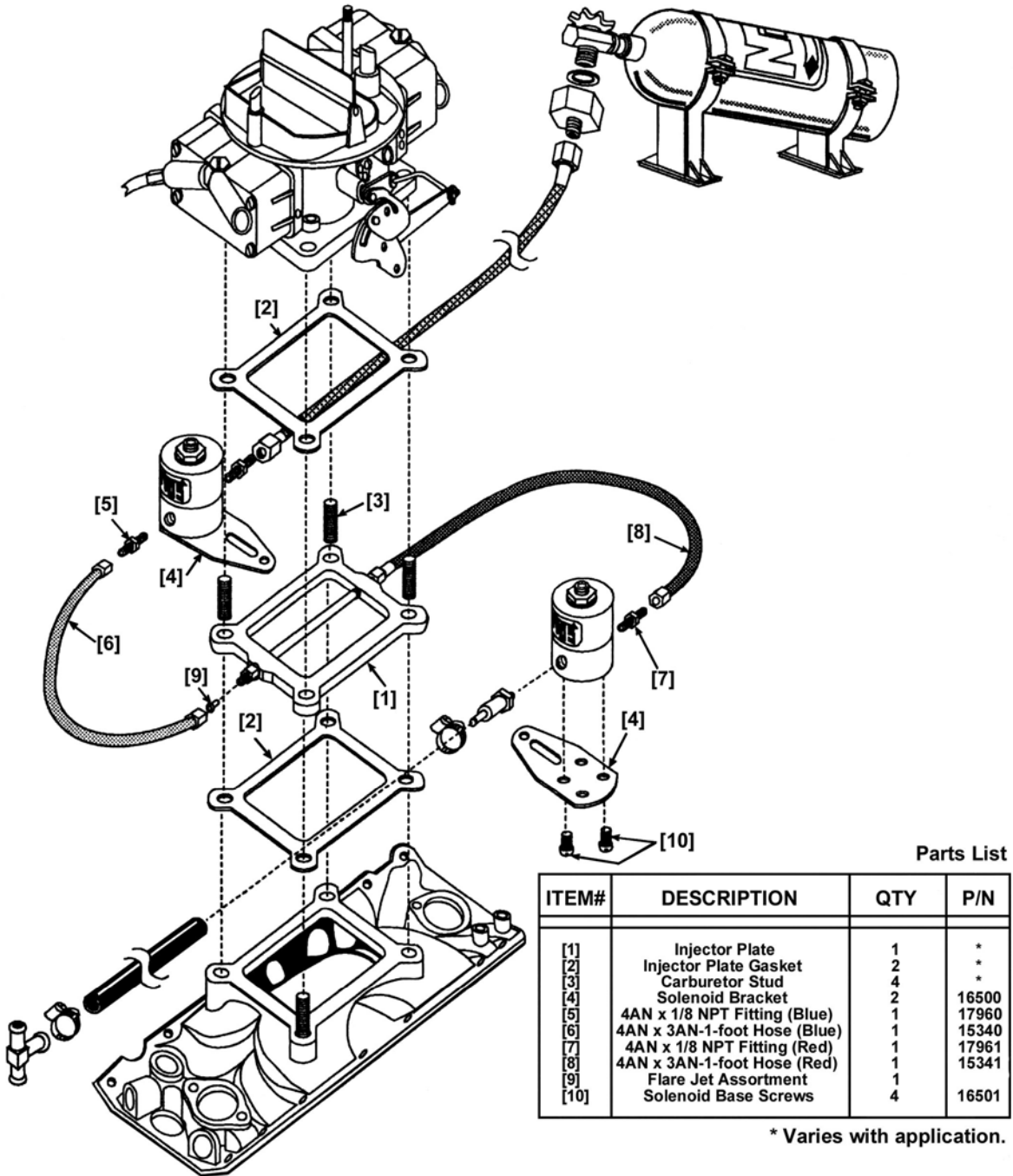


A **Holley** Performance Brand

NOS BIG SHOT SINGLE CARBURETOR INJECTOR PLATE INSTALLATION INSTRUCTIONS

FOR NOS P/N 12510NOS & 12610NOS



1.0 Injector Plate Mounting

1. Remove the carburetor inlet ducting and air cleaner.
2. Disconnect the throttle linkage from the carburetor.
3. Disconnect the fuel line from the carburetor.
4. Remove the carburetor.
5. Remove the stock carburetor studs.

6. Install the extended carburetor studs [3].
7. Install the injector plate [1] and gaskets [2] on the intake manifold *with the NOS label facing UP*.
8. Install the carburetor.
9. Connect the throttle linkage.

2.0 Nitrous Solenoid Installation

CAUTION! Do not overtighten the vise in the following procedure or the solenoid will be damaged.

NOTE: Use Teflon paste only on pipe threads.

1. Clamp the nitrous solenoid base in a bench vise.
2. Install the nitrous filter fitting in the inlet port of the nitrous solenoid.
3. Install the 4AN x 1/8-inch NPT Fitting (blue) [5] in the outlet port of the nitrous solenoid.
4. Remove the nitrous solenoid assembly from the vise.
5. Attach the solenoid mounting bracket [4] to the nitrous solenoid.
6. Loosely mount the nitrous solenoid near the base of the carburetor on the nitrous (blue) end of the injector plate.
7. Install the proper nitrous jet [9] in the injector plate, with the beveled edge out. Connect the nitrous solenoid to the injector plate with the 4AN x 3AN 1-foot Hose (blue) [6].
8. Tighten the solenoid mount.

3.0 Fuel Solenoid Installation

CAUTION! Do not overtighten the vise in the following procedure or the solenoid will be damaged.

NOTE: Use Teflon paste only on pipe threads.

1. Clamp the fuel solenoid base in a bench vise.
2. Install the in-line fuel filter in the inlet port of the fuel solenoid.
3. Install the 4AN x 1/8-inch NPT Fitting (red) [7] in the outlet port of the fuel solenoid.
4. Remove the fuel solenoid assembly from the vise.
5. Attach the solenoid mounting bracket [4] to the fuel solenoid.
6. Loosely mount the fuel solenoid near the red end of the injector plate.
7. Install the proper fuel jet [9] in the injector plate, with the beveled edge out.
8. Connect the outlet port of the fuel solenoid to the injector plate using the 4AN x 3AN 1-foot Hose (red) [8].
9. Tighten the solenoid mount.

Suggested Tuning Combinations for NOS Big Shot - Single Carburetor System

Stage #	Jetting N ₂ O / Fuel	Fuel Quality	Ignition Timing	Spark Plug Heat Range
I	.082 / .091	100+ octane (R+M/2) racing fuel or 92+ octane pump gas with octane booster	6° ignition retard	Decrease heat range 1 - 2 steps
II	.093 / .102	105 octane (R+M/2) racing fuel	8° ignition retard	Decrease heat range 2 - 3 steps
III	.102 / .110	110+ octane (R+M/2).74 or higher specific gravity racing fuel	8° ignition retard	Decrease heat range 3 - 4 steps
IV	.120 / .116	110+ octane (R+M/2).74 or higher specific gravity racing fuel	10° ignition retard	Decrease heat range 3 - 4 steps

At the Stage IV level, the Big Shot nitrous solenoid is flowing near maximum capability. Increasing the jetting above these levels will not result in a performance increase.